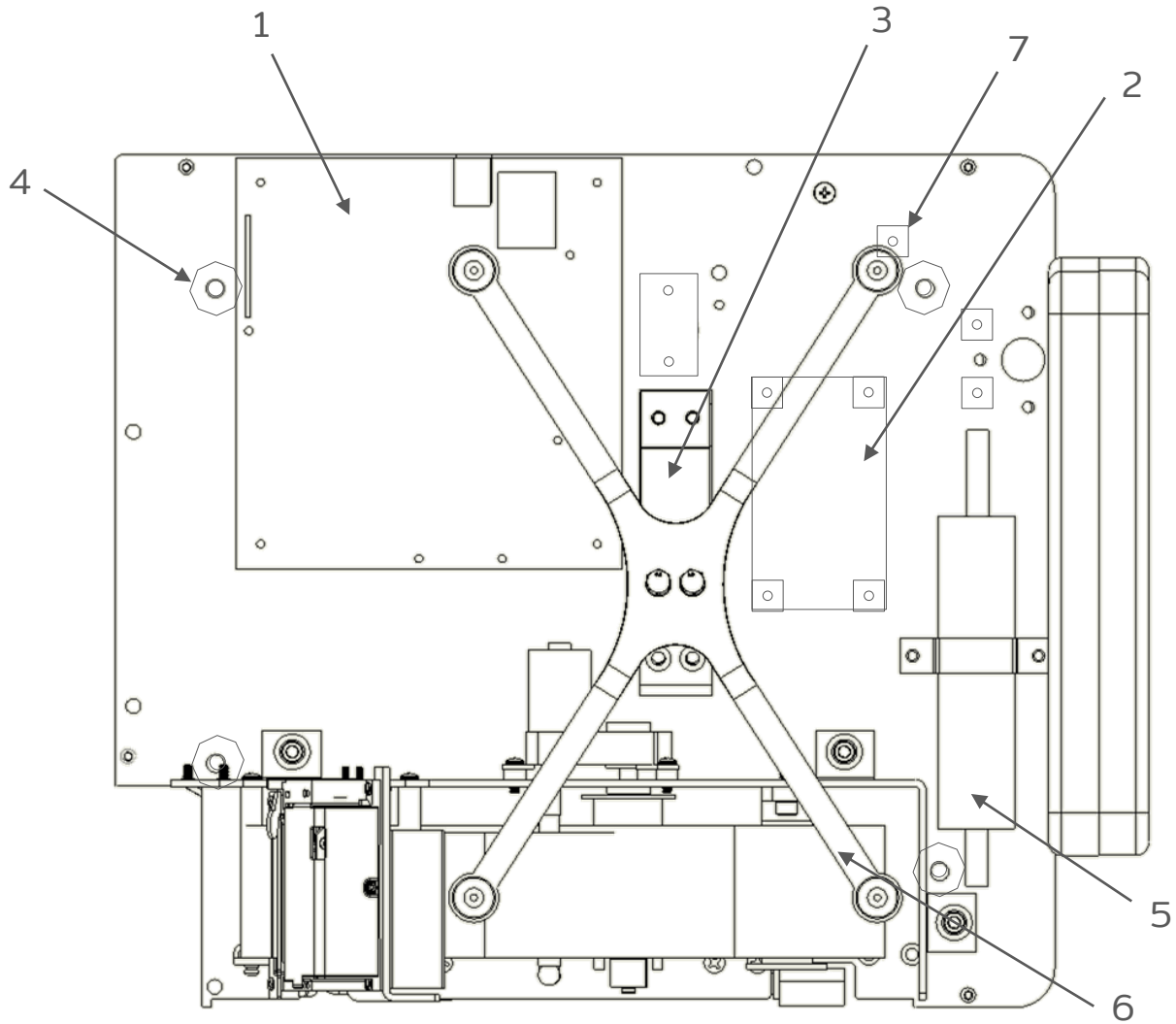


# LABELING / PRINTING SCALE

Line: Electronic Scale  
Brand: TORREY  
Model: W-LABEL40LP  
Page 1-22

FROM THE SERIAL NUMBER:





## LABELING / PRINTING SCALE

Line: Electronic Scale

Brand: TORREY

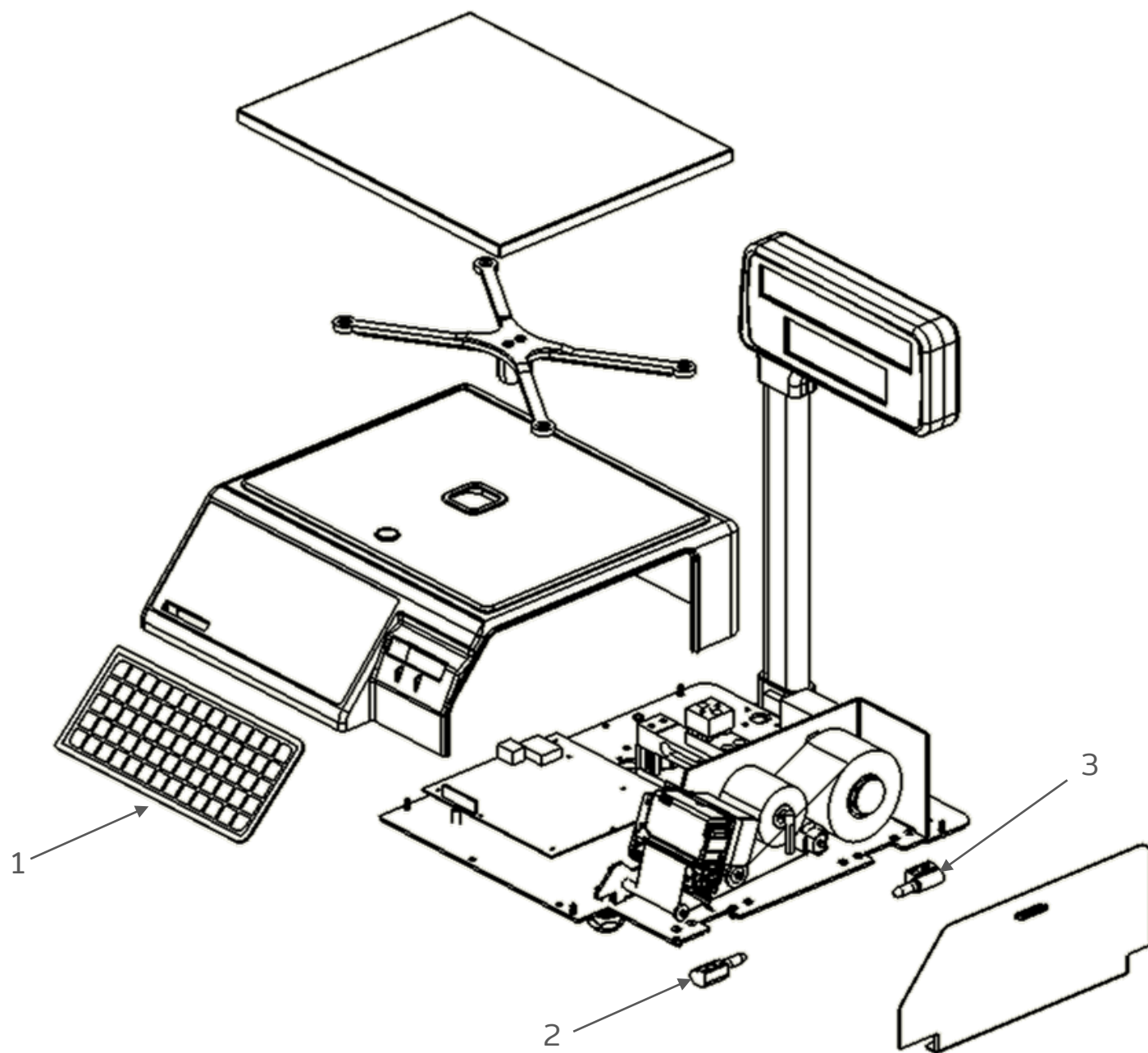
Model: W-LABEL40LP

Page 1-22

FROM THE SERIAL NUMBER:

No.	Description.	Code
01	MOTHERBOARD W-LABEL NEW TURRET ASSEMBLY	B-46601575
02	POWER SUPPLY TFBCR Ø ASSEMBLY.	B-46601135
03	20KG LOAD CELL, MODEL 1022 W-LABEL ASSEMBLY	B-46601315
04	HEXAGONAL LEVELING FOOT (INJECTED)	B-12400102
05	POWER SUPPLY 24V ASSEMBLY	B-46601164
06	SUPPORT PLATE MFQ ASSEMBLY	B-36700067
07	SUJSEP TARJ. PCR #MS8 (3M) PINGOOD	B-12400118

FROM THE SERIAL NUMBER:





## LABELING / PRINTING SCALE

Line: Electronic Scale

Brand: TORREY

Model: W-LABEL40LP

Page 2-22

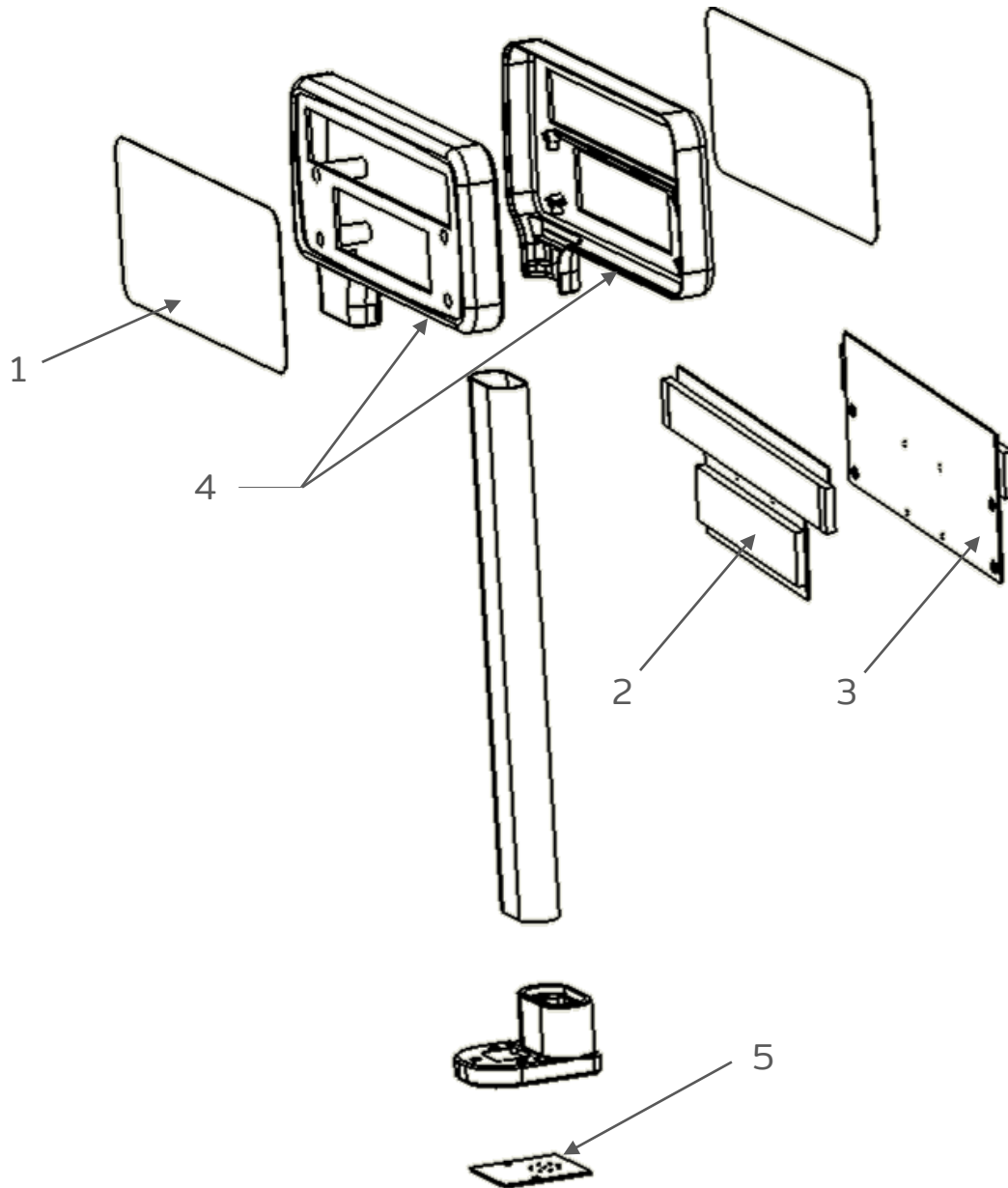
FROM THE SERIAL NUMBER:

No.	Description.	Code
01	KEYBOARD FOR W-LABEL SCALE	B-20200565
02	J. PLASTIC HINGE LEFT ASSEMBLY	B-22400145
03	J. PLASTIC HINGE RIGHT ASSEMBLY	B-22400146

# LABELING / PRINTING SCALE

Line: Electronic Scale  
Brand: TORREY  
Model: W-LABEL40LP  
Page 3-22

FROM THE SERIAL NUMBER:



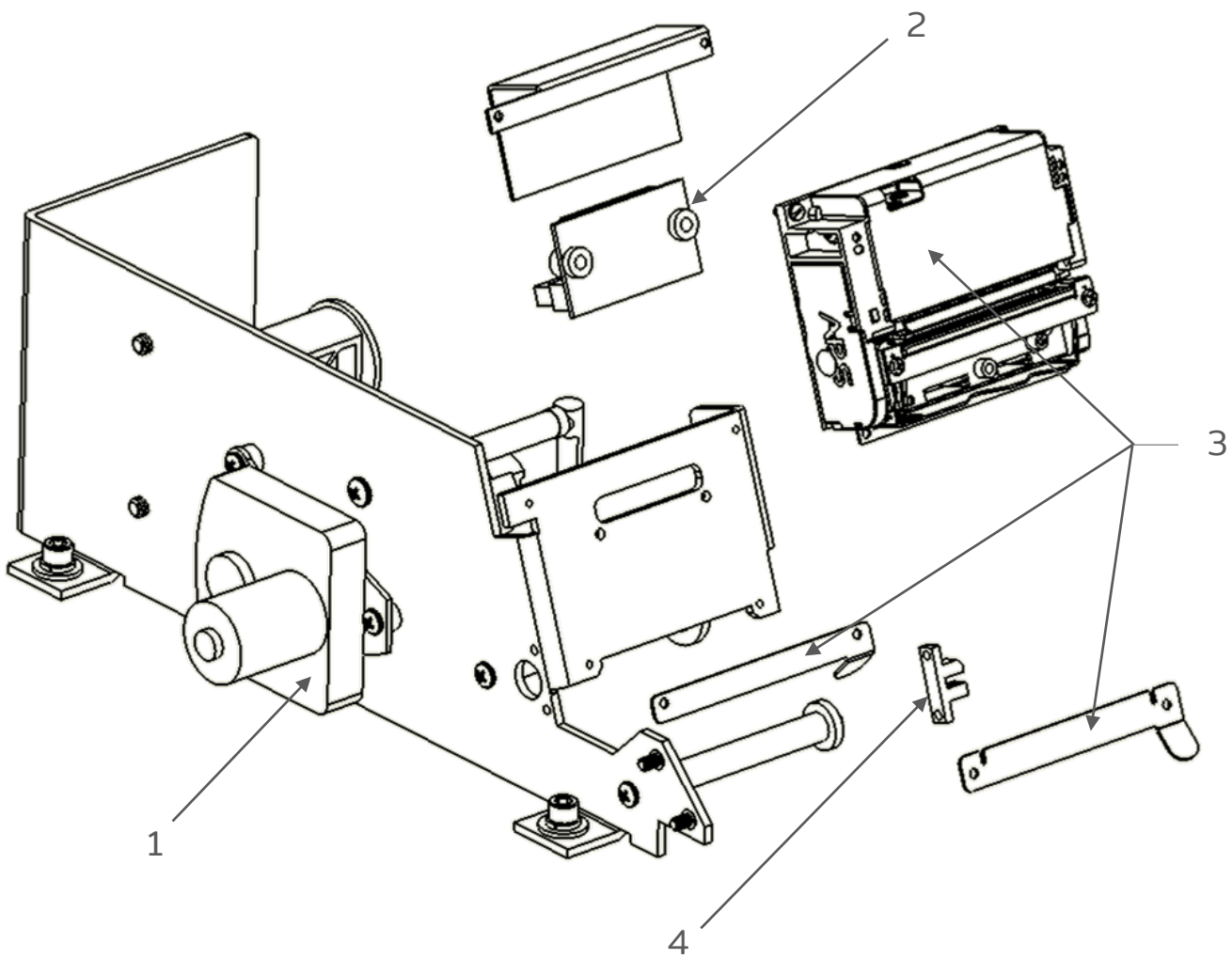
FROM THE SERIAL NUMBER:

No.	Description.	Code
01	OVERLAY OF TURRET W-LABEL-P ING NL R0	B-23300616
02	FRONT DISPLAY CARD W-LABEL ASSEMBLY	B-46601540
03	REAR LCD DISPLAY ASSEMBLY	B-46601539
04	NEW PLASTIC MODULE. TURRET ASSEMBLY	B-46601550
05	LASER CUT LOWER COVER FOR ALUMINUM SUPPORT	B-34700154
06	*HARNESS 6 TERMINALS FOR TURRET ASSEMBLY	B-46601316
07	TURRET ASSAMBLY	B-36700624

# LABELING / PRINTING SCALE

Line: Electronic Scale  
Brand: TORREY  
Model: W-LABEL40LP  
Page 4-22

FROM THE SERIAL NUMBER:





## LABELING / PRINTING SCALE

Line: Electronic Scale

Brand: TORREY

Model: W-LABEL40LP

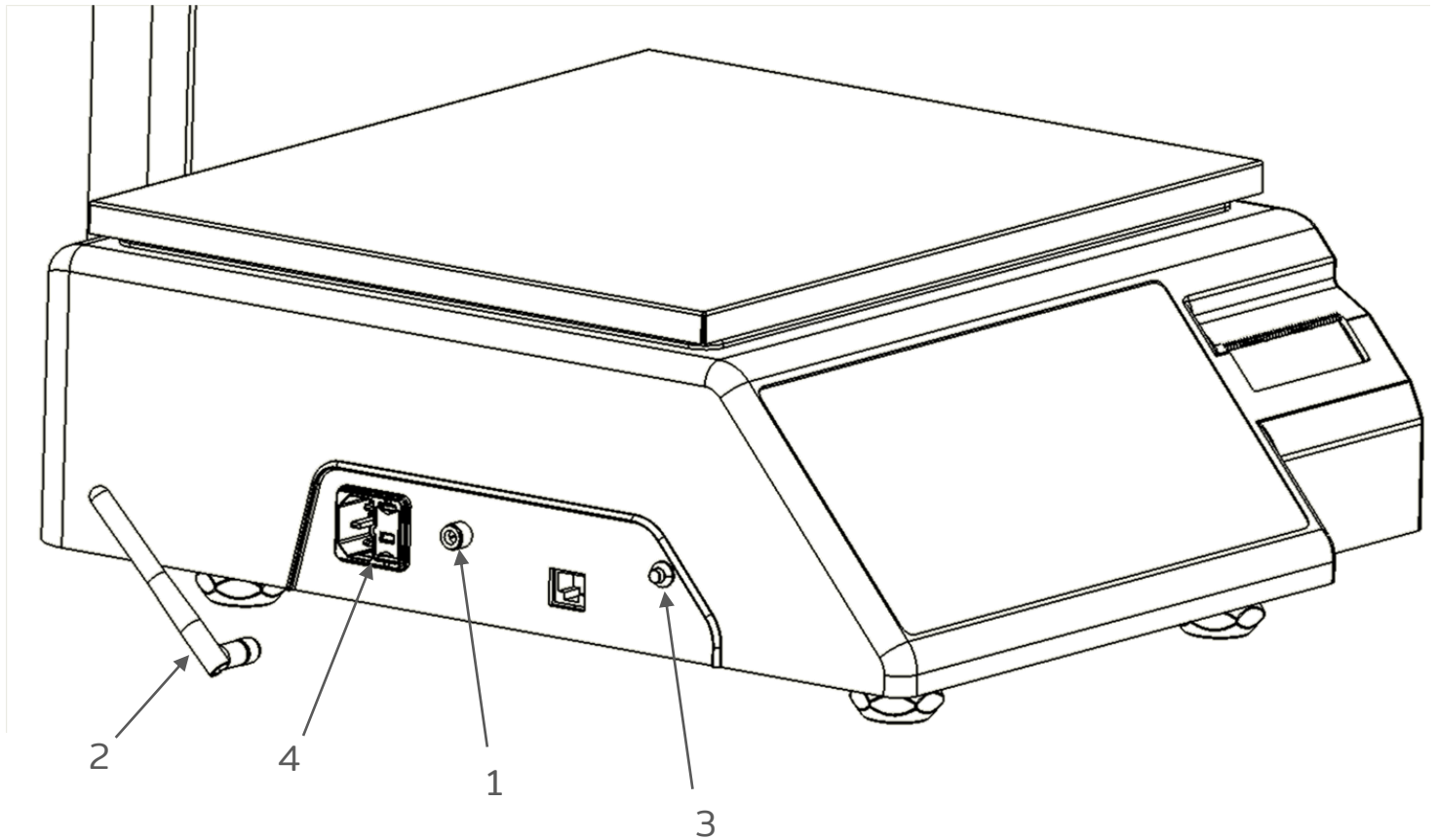
Page 4-22

FROM THE SERIAL NUMBER:

No.	Description.	Code
01	DIRECT MOTOR ASSEMBLY	B-46600553
02	IMPRESOR CARD W-LABEL ASSEMBLY	B-466001273
03	IMPRESOR W-LABEL	B-46601308
04	PAPER SENSOR ASSEMBLY 4P	B-46601033



FROM THE SERIAL NUMBER:





## LABELING / PRINTING SCALE

Line: Electronic Scale

Brand: TORREY

Model: W-LABEL40LP

Page 5-22

FROM THE SERIAL NUMBER:

No.	Description.	Code
01	HARNESS SMA P/P JACK WIRELESS	B-21900597
02	EXTERNAL ANTENNA WIRELESS	B-21900594
03	HARNESS OF BUTTON ON/OFF ASSEMBLY	B-46601153
04	KIT POWER ENTRY MODULE	B-36700463
05	*TOP P/DIP SWITCH PLASTIC	B-12400104

\*Not shown in the picture.