



## RECEIVING SCALE.

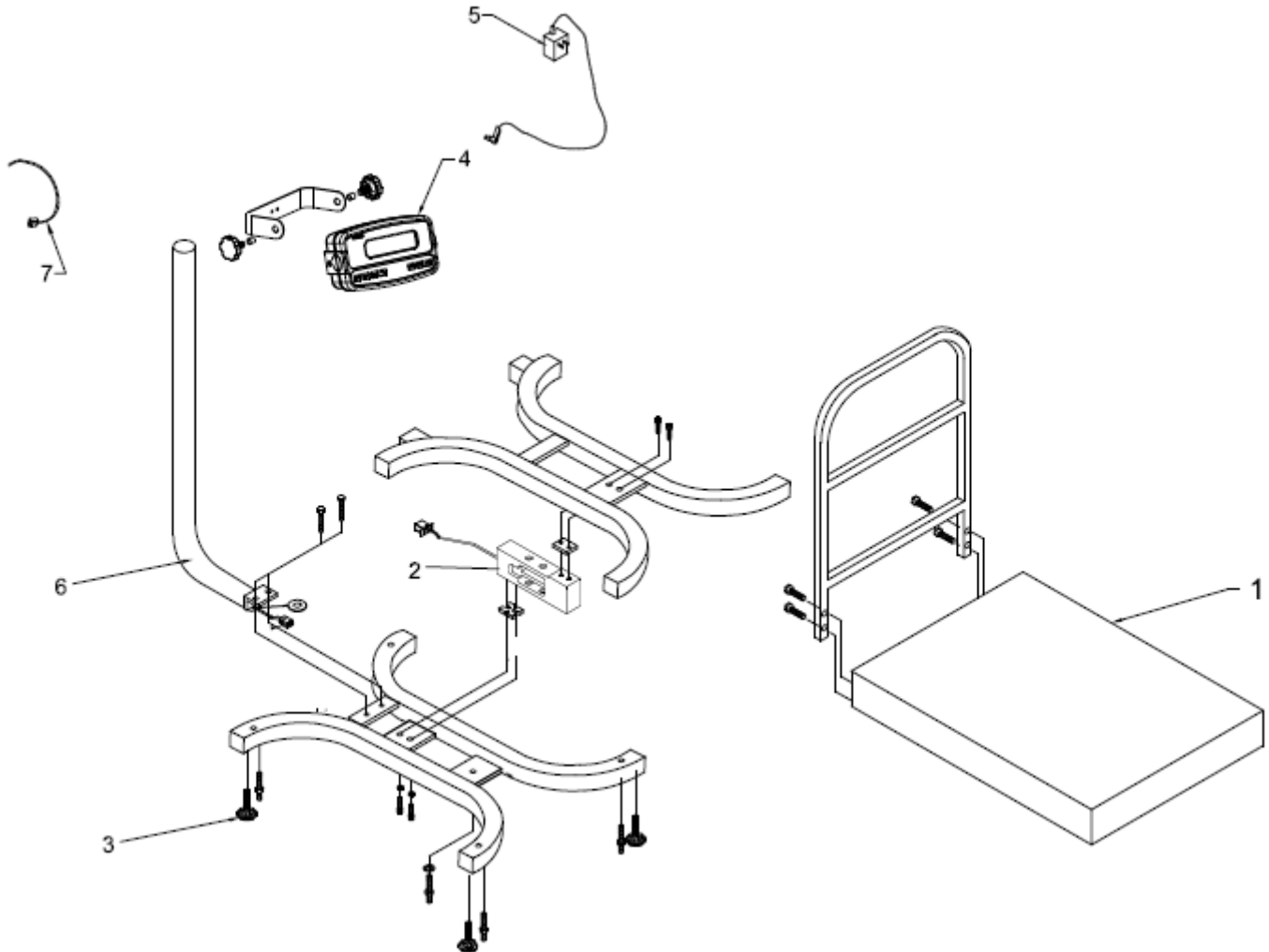
LINE: Electronic scale

BRAND: TORREY

MODEL: EQB50-NT, EQB100-NT.

PAGE: 1-13

FROM THE SERIAL NUMBER: L12-000192 (EQB50-NT)  
A13-000665 (EQB100-NT)





## RECEIVING SCALE.

LINE: Electronic scale

BRAND: TORREY

MODEL: EQB50-NT, EQB100-NT.

PAGE: 1-13

No.	Description	Code
01	EQB-50/100 PLATE	B-56500004
02	LOAD CELL 50 Kg M 1042 W/RJ11 EQB ASSEMBLY	B-46600755
03	HEX LEVELING FEET	B-12400102
04	WI INDICATOR MODULE	SEE PAG.2
05	9V AC/DC POWER SUPPLY	B-21900706
06	EQB-I 50/100 PAINTED TURRET	B-56500105
07	HARNESS PLUG RJ11 EQB ASSEMBLY	B-46601097

02	LOAD CELL 100 Kg M 1042 W/RJ11 EQB ASSEMBLY	B-46600756
----	---	------------



## RECEIVING SCALE.

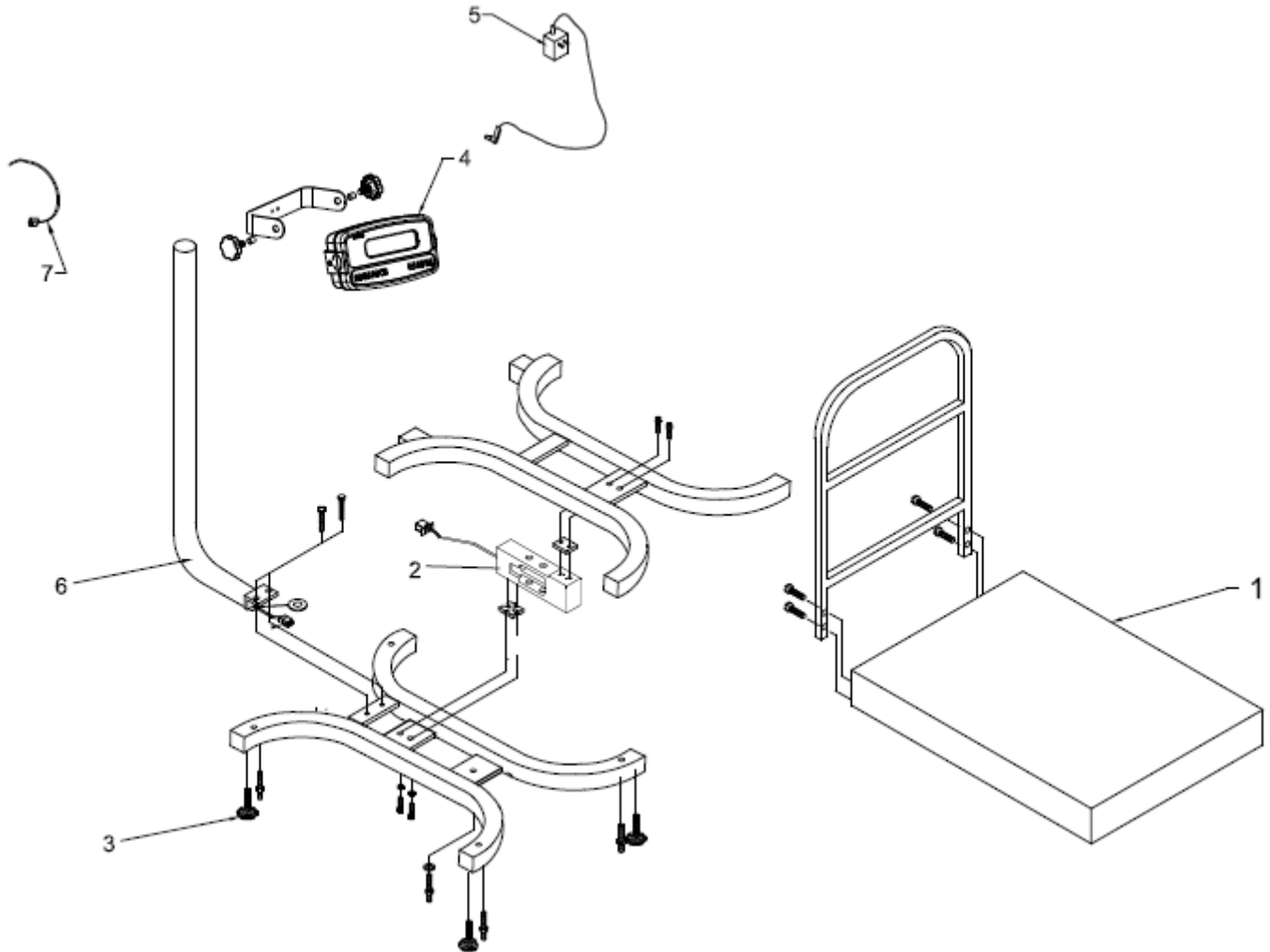
LINE: Electronic scale

BRAND: TORREY

MODEL: EQB50-NT, EQB100-NT.

PAGE: 1-14

FROM THE SERIAL NUMBER: F14-000499 (EQB50-NT)  
H14-001449 (EQB100-NT)





## RECEIVING SCALE.

LINE: Electronic scale

BRAND: TORREY

MODEL: EQB50-NT, EQB100-NT.

PAGE: 1-14

No.	Description	Code
01	EQB-50/100 PLATE	B-56500004
02	LOAD CELL 50 Kg M 1042 W/RJ11 EQB ASSEMBLY	B-46600755
03	HEX LEVELING FEET	B-12400102
04	WI INDICATOR MODULE	SEE PAG.2
05	9V AC/DC POWER SUPPLY	B-21900706
06	EQB-I 50/100 PAINTED TURRET	B-56500105
07	HARNESS PLUG RJ11 EQB ASSEMBLY	B-46601097

02	LOAD CELL 100 Kg M 1042 W/RJ11 EQB ASSEMBLY	B-46600756
----	---	------------



## RECEIVING SCALE.

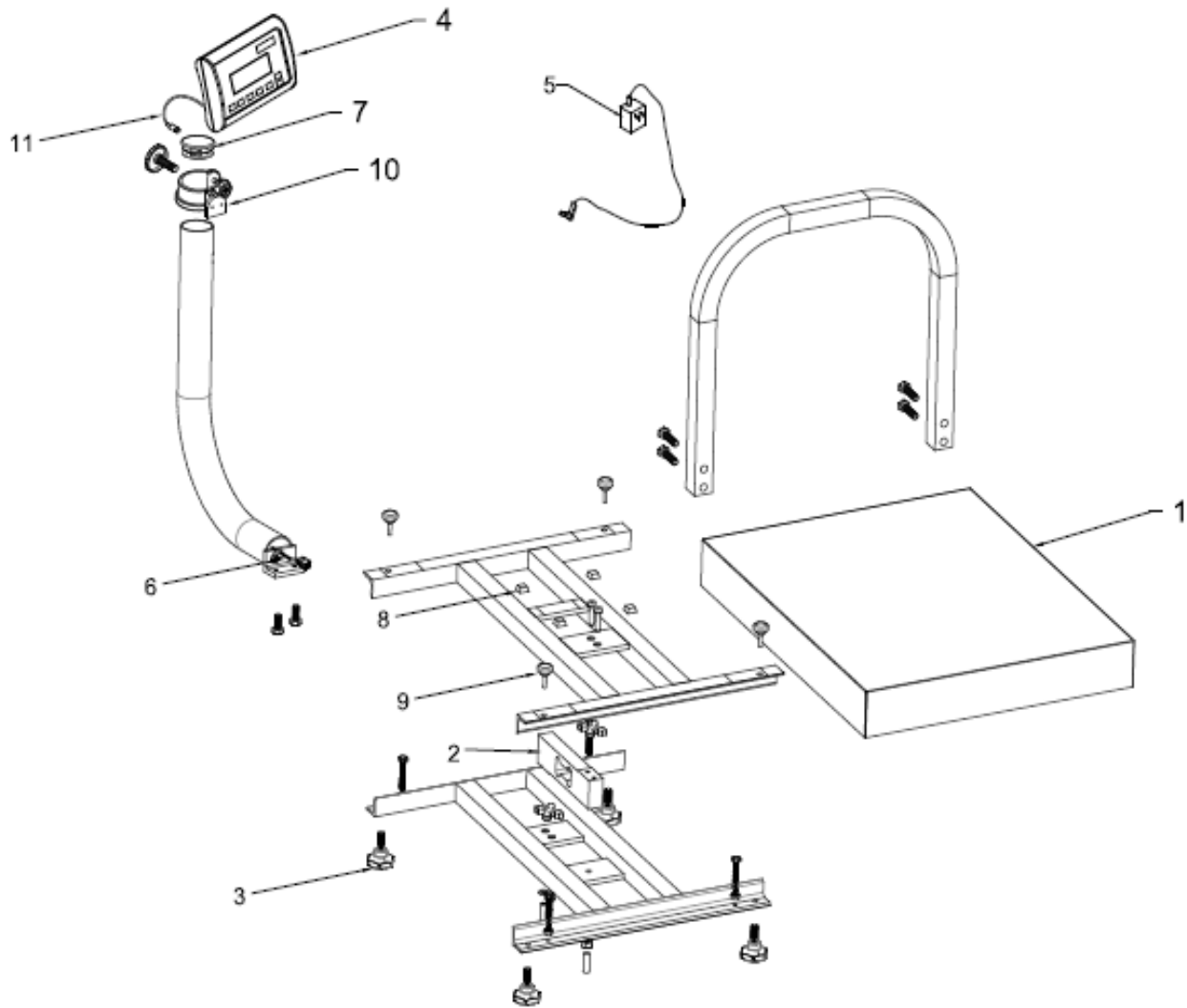
LINE: Electronic scale

BRAND: TORREY

MODEL: EQB50-NT, EQB100-NT.

PAGE: 1-18

FROM THE SERIAL NUMBER: L18-000001 (EQB50-NT)  
A18-000001 (EQB100-NT)





## RECEIVING SCALE.

LINE: Electronic scale

BRAND: TORREY

MODEL: EQB50-NT, EQB100-NT.

PAGE: 1-18

No.	Description EQB50-NT	Code
01	EQB-50/100 PLATE	B-56500302
02	LOAD CELL 50 Kg M 1042 EQB ASSEMBLY	B-46601279
03	HEX LEVELING FEET	B-12400102
04	MODULE EQM SERIAL	B-36700591
05	9V AC/DC POWER SUPPLY	B-21900706
06	EQB-I 50/100 PAINTED TURRET	B-46700051
07	TURRET CAP EQM	B-12400201
08	BLACK BUMPER	B-12400216
09	.75" BUMPER	B-12400215
10	PLASTIC "C" SUPPORT	B-12400162
11	ARNES EQM ENS	B-46600969

No.	Description EQB100-NT	Code
02	LOAD CELL 100 Kg M 1042 EQB ASSEMBLY	B-46601280
04	MODULE EQM SERIAL	B-36700591



## RECEIVING SCALE.

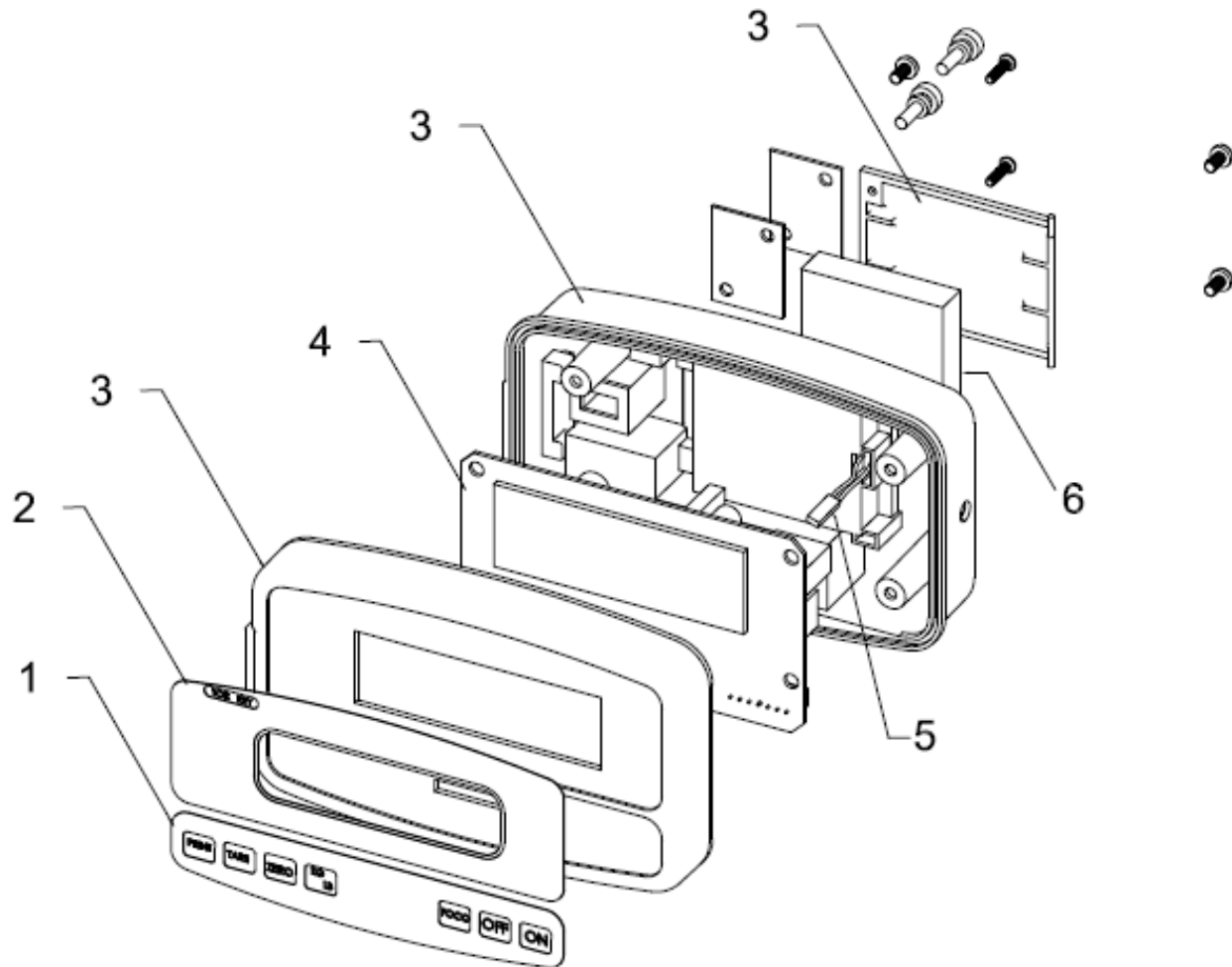
LINE: Electronic scale

BRAND: TORREY

MODEL: EQB50-NT, EQB100-NT.

PAGE: 2-13

FROM THE SERIAL NUMBER: L10-000001 (EQB50-NT)  
F10-000001 (EQB100-NT)





## RECEIVING SCALE.

LINE: Electronic scale

BRAND: TORREY

MODEL: EQB50-NT, EQB100-NT.

PAGE: 2-13

No.	Description	Code
01	KEYBOARD INDICATOR WI 3D	B-20200519
02	OVERLAY EQB 50/100 MODULE WI REV 3	B-21900581
02	OVERLAY EQB 100/200 MODULE WI REV 1	B-23300088
03	WI MODULE KIT(CASE)	B-36700345
04	MODULE WI MASTER BOARD ASSEMBLY	B-46600823
05	WI BATTERY HARNESS ASSEMBLY	B-46600826
06	RECHARGEABLE BATTERY WI ASSEMBLY	B-46600825





## RECEIVING SCALE.

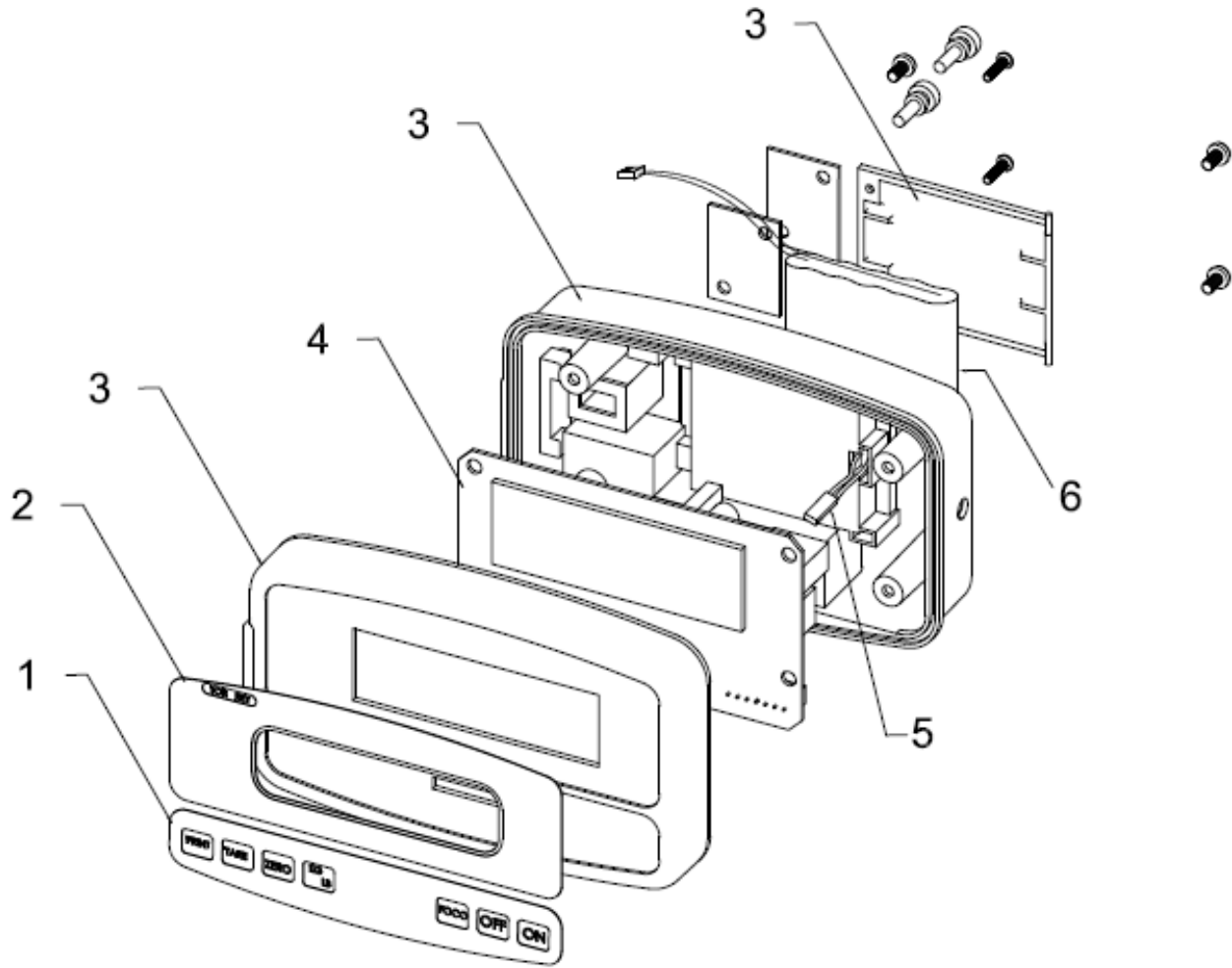
LINE: Electronic scale

BRAND: TORREY

MODEL: EQB50-NT, EQB100-NT.

PAGE: 2-13-B

FROM THE SERIAL NUMBER: E13-000240 (EQB50-NT)  
E13-000805 (EQB100-NT)





## RECEIVING SCALE.

LINE: Electronic scale

BRAND: TORREY

MODEL: EQB50-NT, EQB100-NT.

PAGE: 2-13-B

No.	Description	Code
01	KEYBOARD INDICATOR WI 3D	B-20200519
02	OVERLAY EQB 50/100 MODULE WI REV 3	B-21900581
03	WI MODULE KIT(CASE)	B-36700345
04	TMWISTR0 MASTERBOARD ASSEMBLED	B-46601110
05	WI-NiMH BATTERY HARNESS ASSEMBLED	B-46601073
06	6V 900 (mAH) NIMH BATTERY ASSEMBLED	B-46601077

02	OVERLAY EQB 100/200 MODULE WI REV 1	B-23300088
----	-------------------------------------	------------



## RECEIVING SCALE.

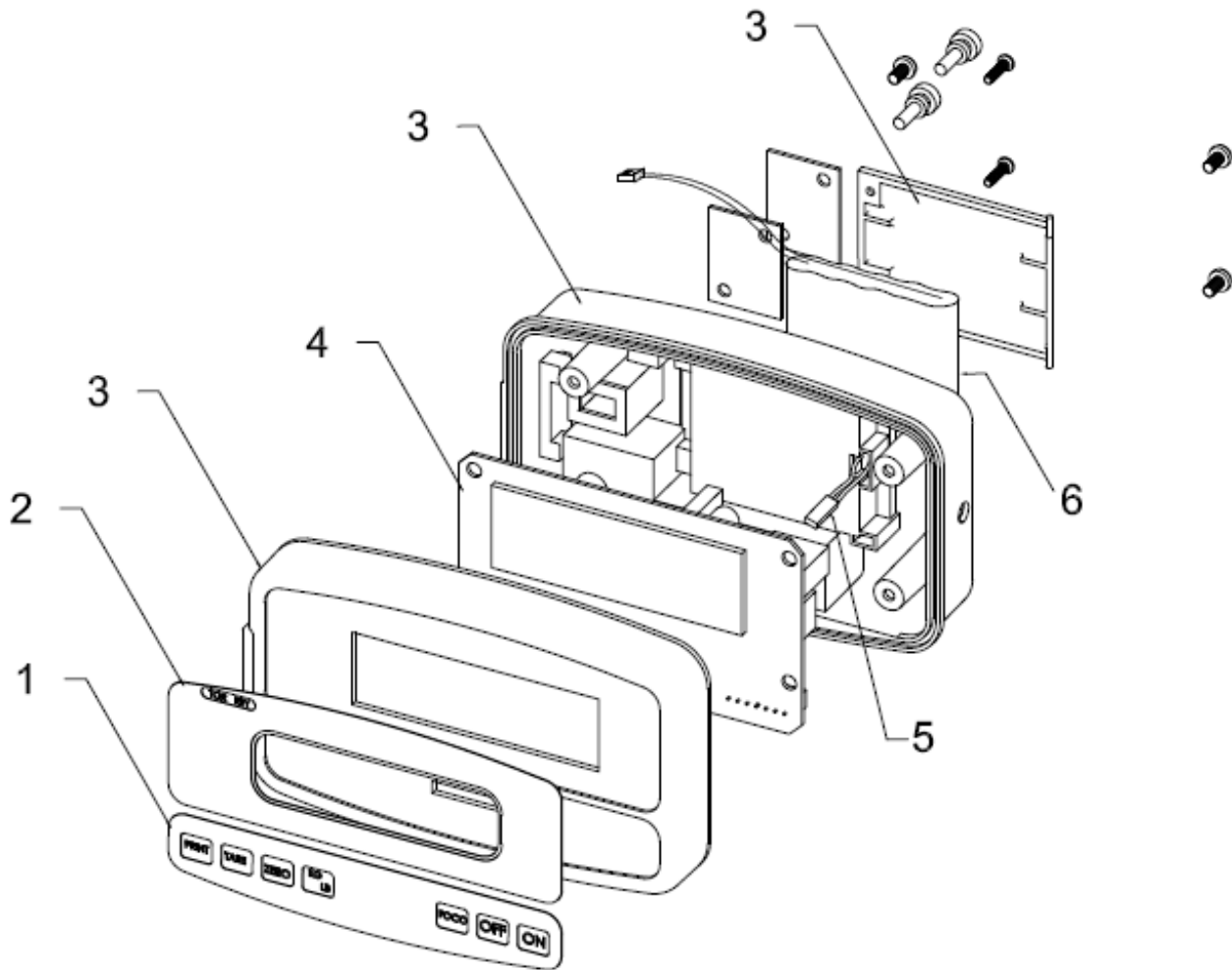
LINE: Electronic scale

BRAND: TORREY

MODEL: EQB50-NT, EQB100-NT.

PAGE: 2-14

FROM THE SERIAL NUMBER: L14-000499 (EQB50-NT)  
H14-001449 (EQB100-NT)





## RECEIVING SCALE.

LINE: Electronic scale

BRAND: TORREY

MODEL: EQB50-NT, EQB100-NT.

PAGE: 2-14

No.	Description	Code
01	KEYBOARD INDICATOR WI 3D	B-20200519
02	OVERLAY EQB 50/100 MODULE WI REV 3	B-21900581
03	WI MODULE KIT(CASE)	B-36700345
04	TMWISTR0 MASTERBOARD ASSEMBLED	B-46601110
05	WI-NiMH BATTERY HARNESS ASSEMBLED	B-46601073
06	6V 900 (mAh) NIMH BATTERY ASSEMBLED	B-46601077

02	OVERLAY EQB 100/200 MODULE WI REV 1	B-23300088
----	-------------------------------------	------------



## RECEIVING SCALE.

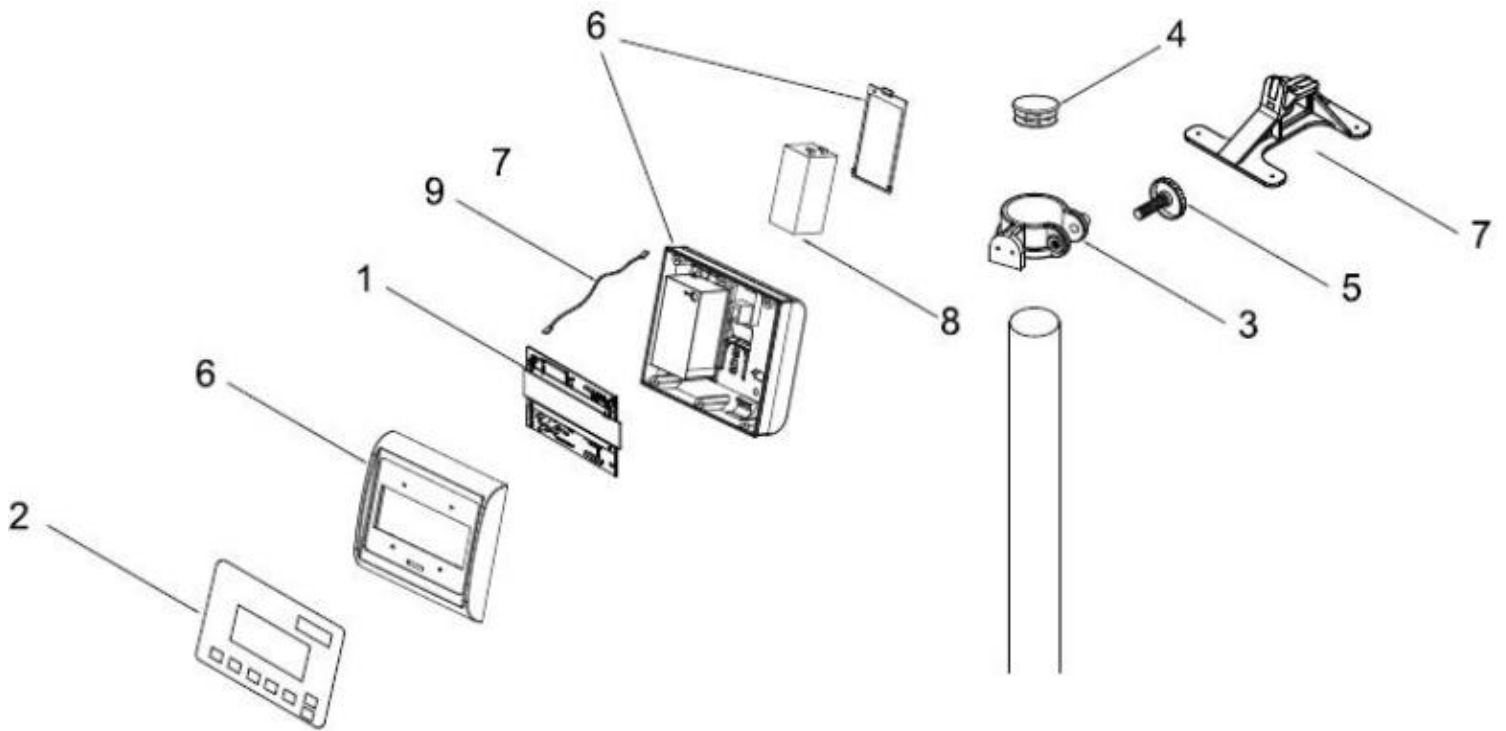
LINE: Electronic scale

BRAND: TORREY

MODEL: EQB50-NT, EQB100-NT.

PAGE: 1-18

FROM THE SERIAL NUMBER: L18-000001 (EQB50-NT)  
F18-000001 (EQB100-NT)





## RECEIVING SCALE.

LINE: Electronic scale

BRAND: TORREY

MODEL: EQB50-NT, EQB100-NT.

PAGE: 1-18

No.	Description EQB-NT	Code
01	TM EQMSTR2 ASSEMBLED	B-46601243
02	OVERLAY KEYPAD EQM	B-20200589
03	"C" SUPPORT	B-12400162
04	TURRET CAP	B-12400201
05	BOLT N PLASTIC ASSY	B-36700188
06	KIT MODULE SERIAL (CASE)	B-36700348
07	SUPPORT ANTI-SLIP	B-36700211
08	BATTERY 4V 2.5 AH	B-21900926
09	BATTERY 47 cm NO POL ASSY	B-46600718
10	HOUSING 7P NO POL	B-21900504



## RECEIVING SCALE.

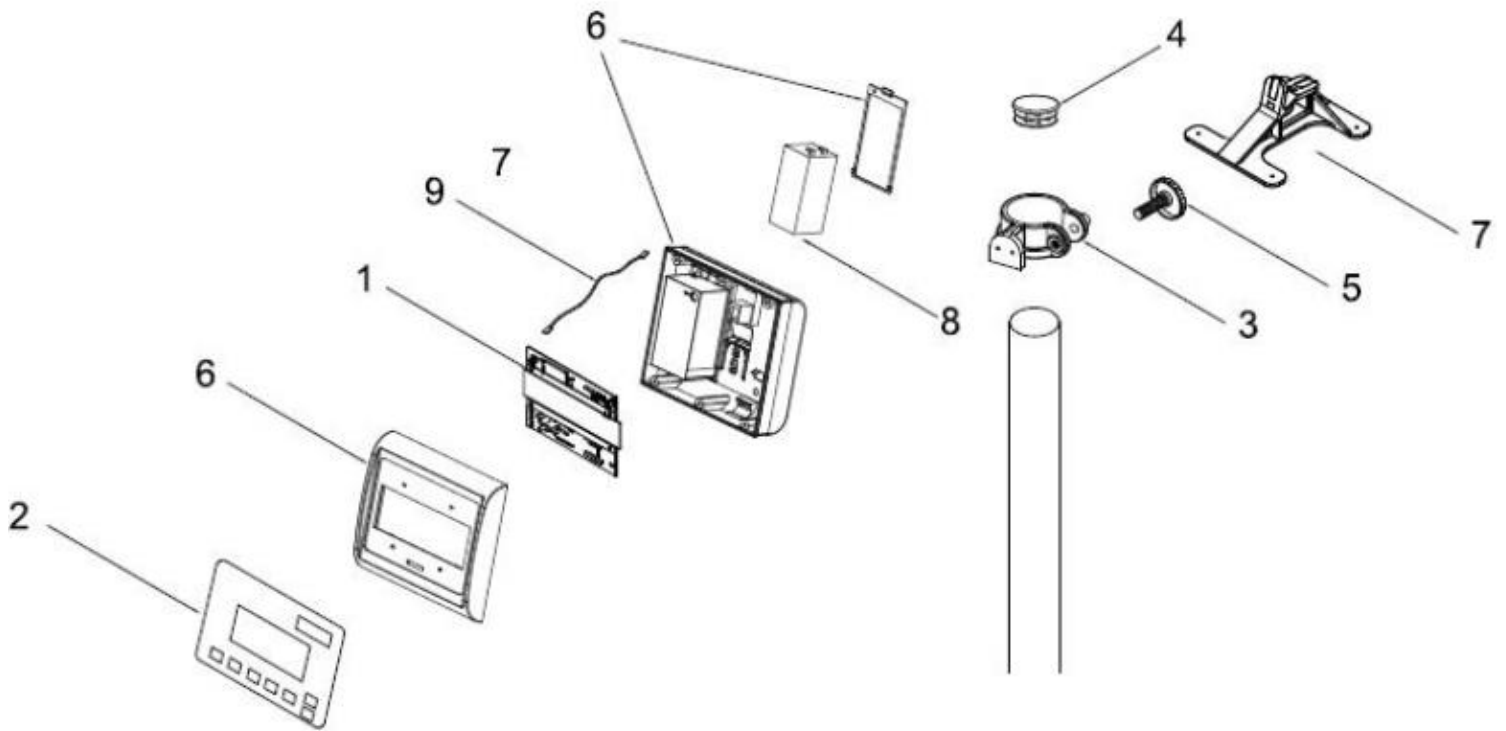
LINE: Electronic scale

BRAND: TORREY

MODEL: EQB50-NT, EQB100-NT.

PAGE: 1-23

FROM THE SERIAL NUMBER: F23-000001 (EQB50-NT)  
F23-000001 (EQB100-NT)





## RECEIVING SCALE.

LINE: Electronic scale

BRAND: TORREY

MODEL: EQB50-NT, EQB100-NT.

PAGE: 1-23

No.	Description EQB-NT	Code
01	MOTHER BOARD EQM ASSEMBLED	B-46601553
02	OVERLAY KEYPAD EQM	B-20200589
03	"C" SUPPORT	B-12400162
04	TURRET CAP	B-12400201
05	BOLT N PLASTIC ASSY	B-36700188
06	KIT MODULE SERIAL (CASE)	B-36700348
07	SUPPORT ANTI-SLIP	B-36700211
08	BATTERY 4V 2.5 AH	B-21900926
09	BATTERY 47 cm NO POL ASSY	B-46600718
10	HOUSING 7P NO POL	B-21900504