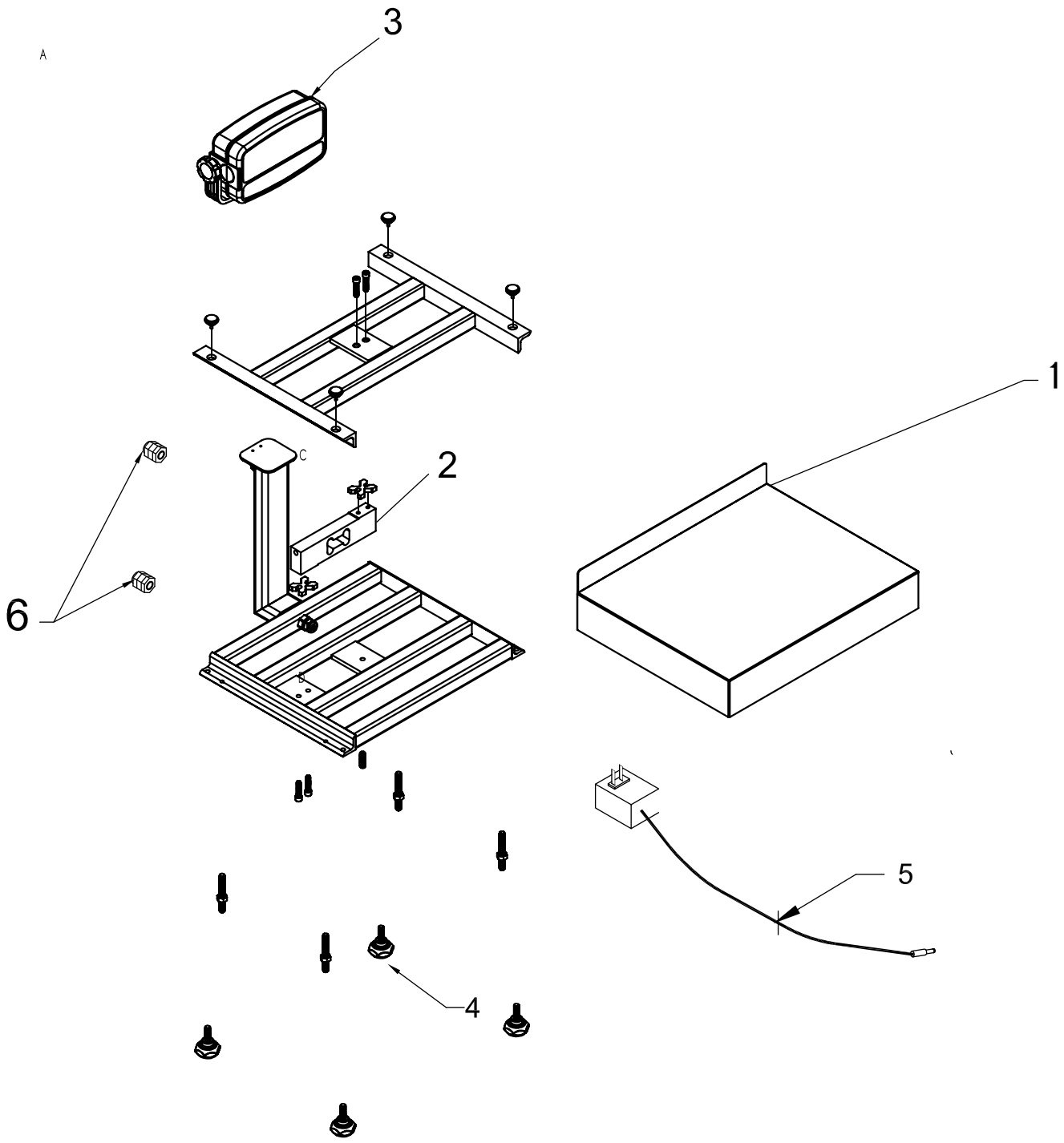


RECEIVING SCALE

Line: Electronic Scale
Brand: TORREY
Model: EQB20/40-W
Page 1-12

FROM THE SERIAL NUMBER: J11-000193





RECEIVING SCALE

Line: Electronic Scale

Brand: TORREY

Model: EQB20/40-W

Page 1-12

No.	Description.	Code
01	PAINTED EQB-20/40	B-36400103
02	20 KG MOD M1140 LOAD CELL ASSEMBLED	B-20100012
03	WIW EQB 20/40 MODULE ASSEMBLED	SEE PAG. 2
04	FOOT NIVELATION EQB-W A I	B-12400092
05	AC/DC POWER SUPPLY 110/220 VCA 9Vcc 500 mA	B-21900706
06	CONECTOR LIQUIT TIGHT 3/8	B-21900107

RECEIVING SCALE

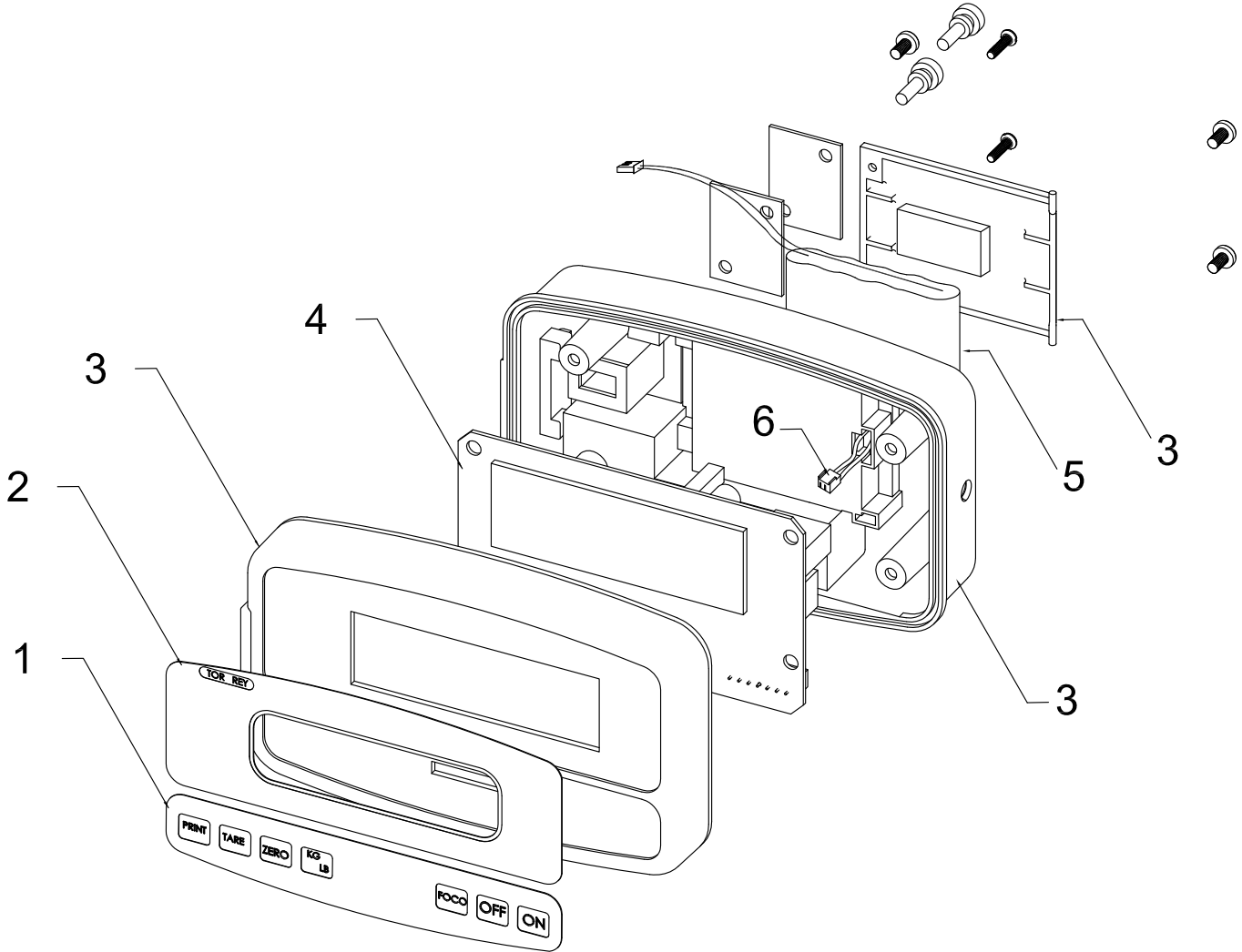
Line: Electronic Scale

Brand: TORREY

Model: EQB20/40-W

Page 2-12

FROM THE SERIAL NUMBER: L12-000192 (EQB-50)
A13-000665(EQB-100)





RECEIVING SCALE

Line: Electronic Scale

Brand: TORREY

Model: EQB20/40-W

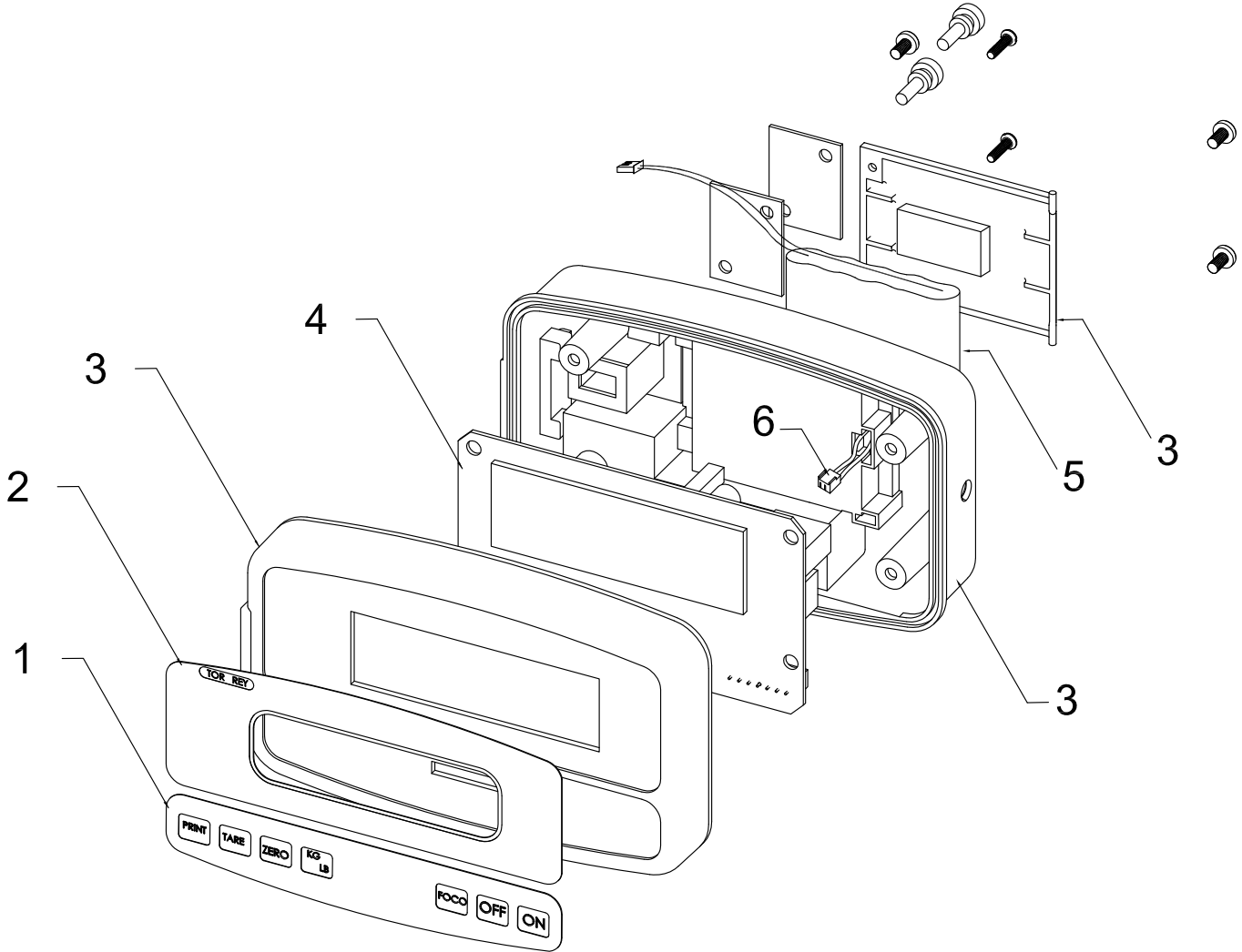
Page 2-12

No.	Description.	Code
01	KEYBOARD MODULE WI 3D WP	B-20200523
02	OVERLY EEQB20/40 W	B-23300113
03	KIT MODULE WI (CASE)	B-36700345
04	MASTER BOARD TMWISTR0 MODS W ENS.	B-46601112
05	6V BATTERY 900 [mah] NiMH	B-21900751
06	BATTERY ARNESS Wi MH ENS	B-46601073

RECEIVING SCALE

Line: Electronic Scale
Brand: TORREY
Model: EQB20/40-W
Page 2-18

FROM THE SERIAL NUMBER: H18-000XXX (EQB-50)
H18-000XXX (EQB-100)





RECEIVING SCALE

Line: Electronic Scale

Brand: TORREY

Model: EQB20/40-W

Page 2-18

No.	Description.	Code
01	KEYBOARD MODULE WI 3D WP	B-20200523
02	OVERLAY EQB20/40 W USA NTEP	B-23300150
03	KIT MODULE WI (CASE)	B-36700345
04	TARJETA MAESTRA TMWISTR5 W ENS	B-46601377
05	6V BATTERY 900 [mah] NiMH	B-21900751
06	BATTERY ARNESS Wi MH ENS	B-46601073