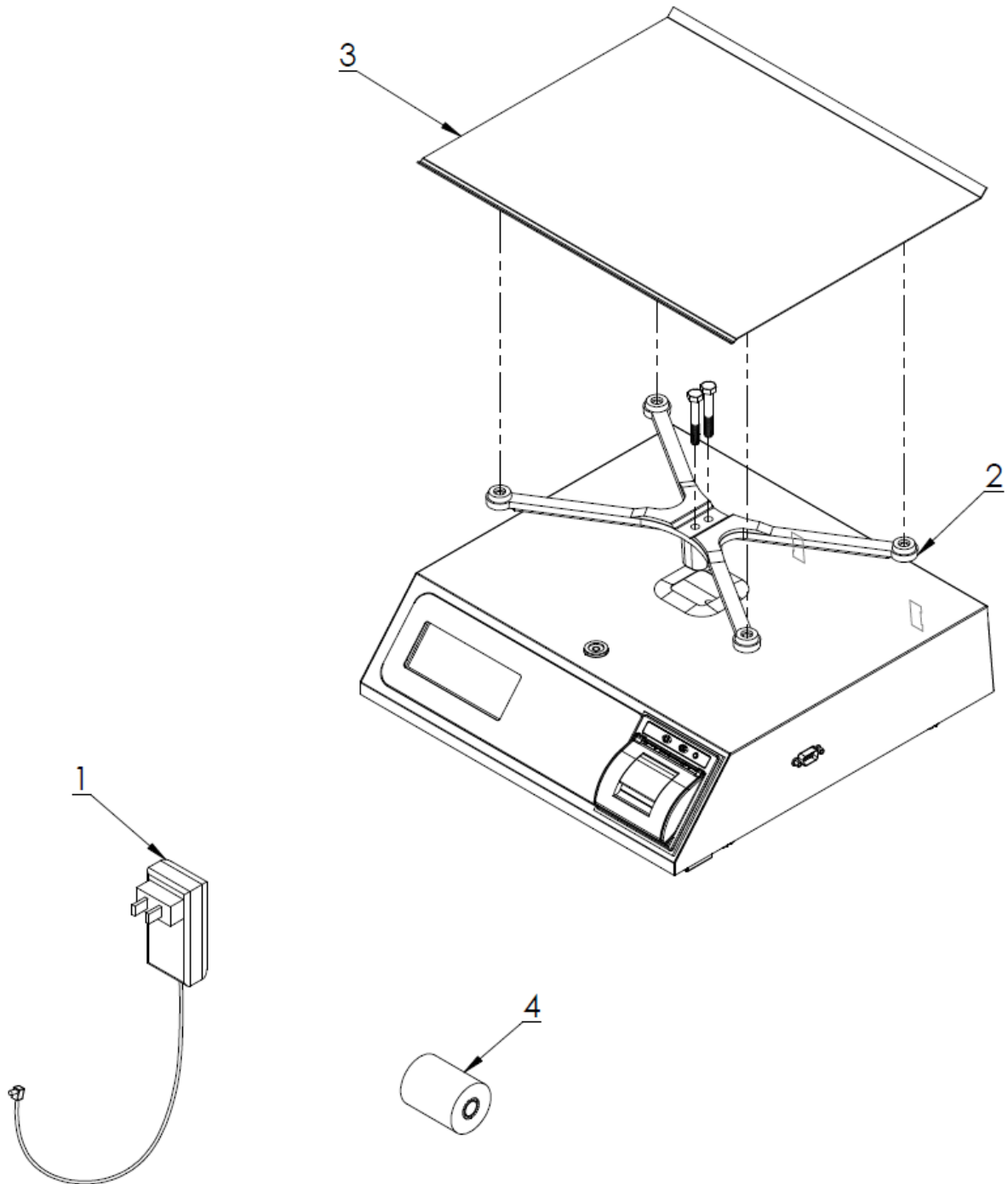


RECEIPT SCALE

Line: Receipt scale
Brand: TORREY
Model: PC80L-HSP
Page 1-20

FROM THE SERIAL NUMBER: A20-0000001 (PC80L-HSP)





RECEIPT SCALE

Line: Electronic Scale

Brand: TORREY

Model: PC80L-HSP

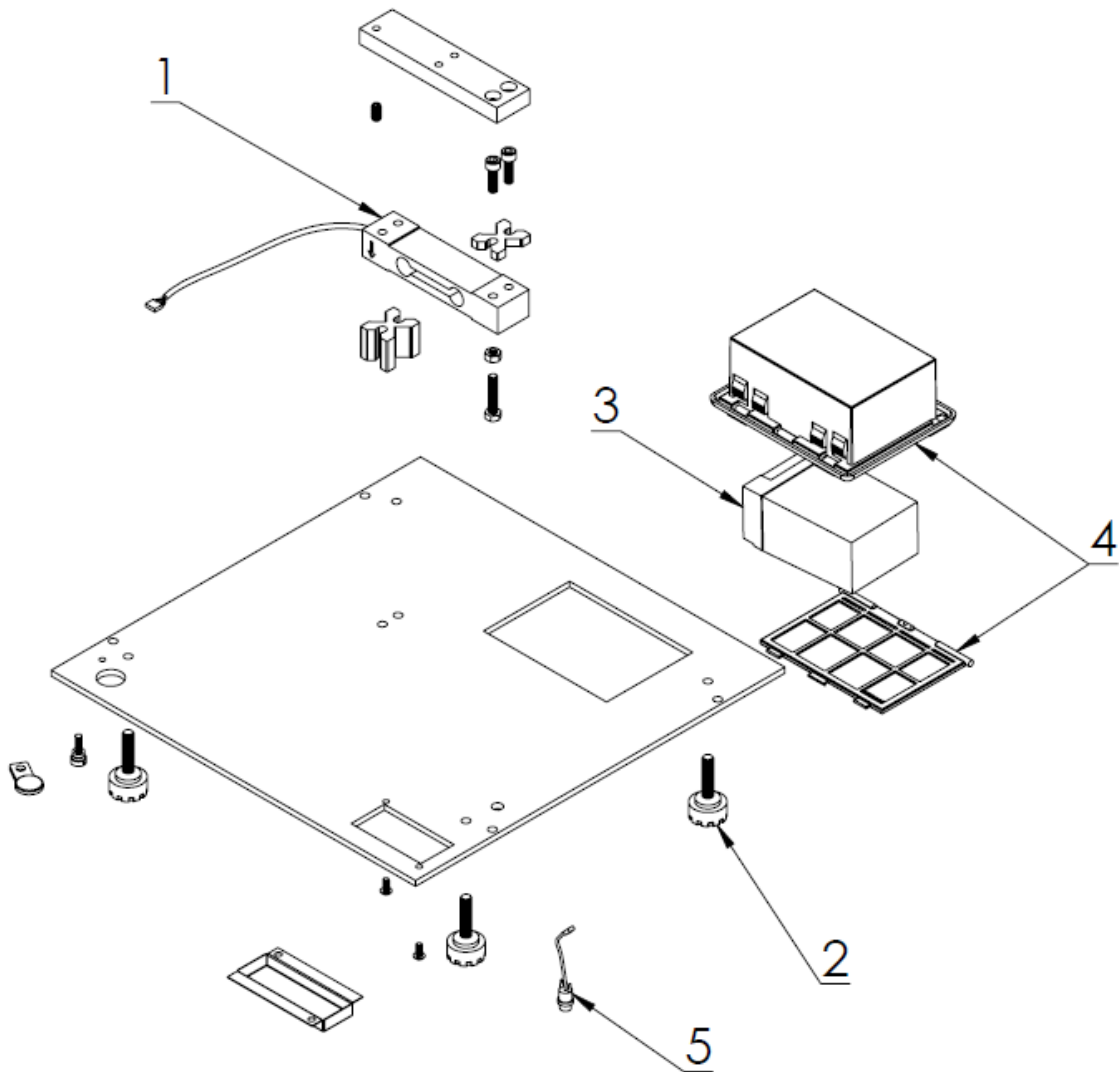
Page 1-20

No.	Description.	Code
01	110V/220V 9Vcc 2A POWER SUPPLY	B-21901074
02	ASSEMBLY MFQ N PLATE HOLDER	B-36700114
03	C.20 PCR20 PLATE W/BOLTS	B-56300257
04	THERMAL PAPEL ROLL 57 MM X 25 M	B-12900448

RECEIPT SCALE

Line: Receipt scale
Brand: TORREY
Model: PC80L-HSP
Page 2-20

FROM THE SERIAL NUMBER: A20-0000001 (PC80L-HSP)





RECEIPT SCALE

Line: Electronic Scale

Brand: TORREY

Model: PC80L-HSP

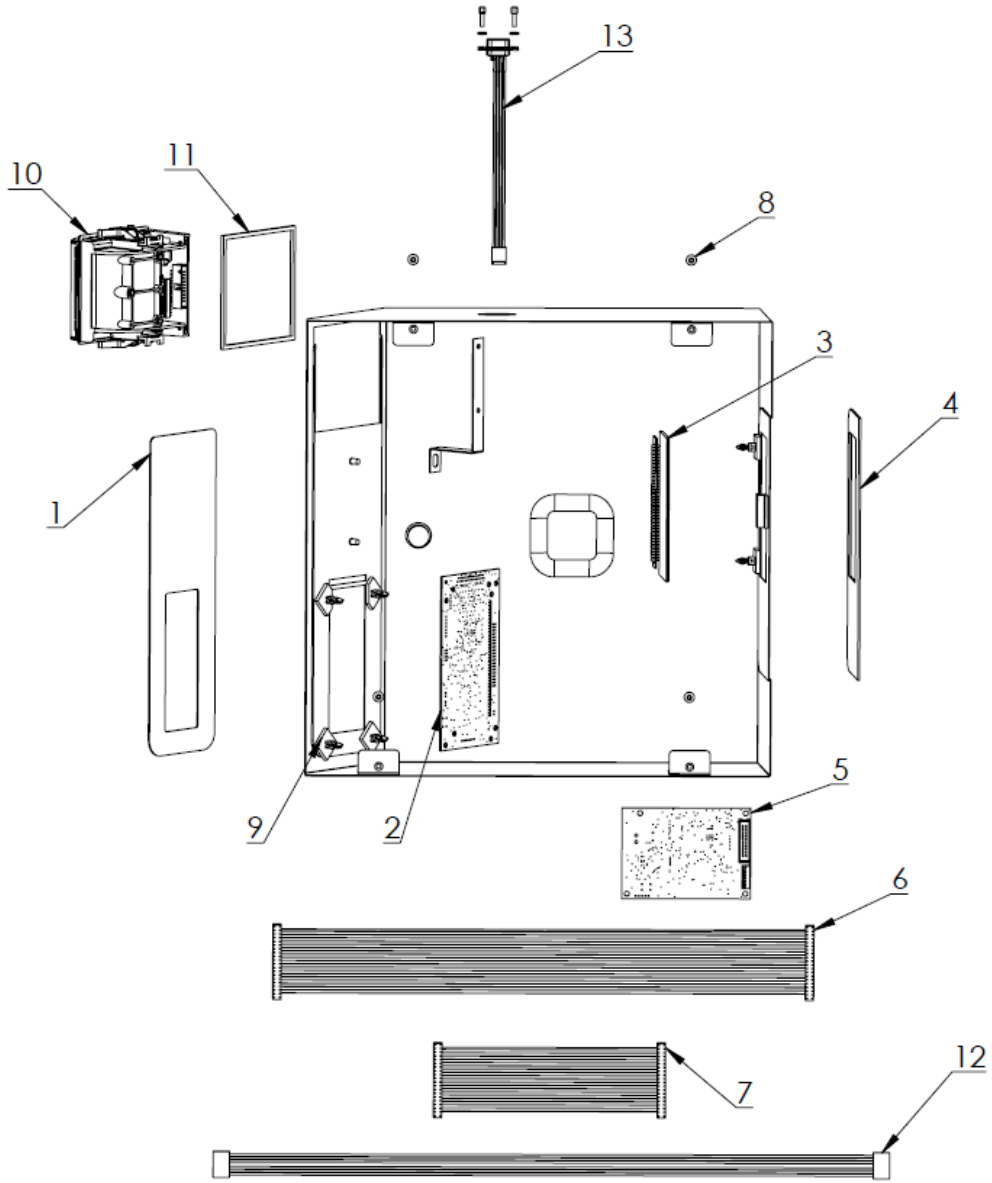
Page 2-20

No.	Description.	Code
01	40KG LOAD CELL M022 USA NO POL ASSEMBLED	B-46600695
02	CIRCULAR LEVELING BASE PCR	B-22400041
03	6V 4/4.5 AH RECHARGEABLE BATTERY	B-21900003
04	SNAP BOX KIT	B-36700349
05	JACK 38 CM NO POL ASSEMBLED	B-46601095

RECEIPT SCALE

Line: Electronic Scale
Brand: TORREY
Model: PC80L-HSP
Page 3-20

FROM THE SERIAL NUMBER: A20-0000001 (PC80L-HSP)





RECEIPT SCALE

Line: Receipt scale

Brand: TORREY

Model: PC80L-HSP

Page 3-20

No.	Description.	Code
01	KEYBOARD PC80L-HSP CAPACITIVE R0	B-20200622
02	TM TMPPTCAPIMP (PC SER) ASSEMBLED	B-46601444
03	TDPPTR5 LCD W/BAT (113.3mm x 49.4MM) ASSEMBLED	B-46601388
04	OVERLAY DISP. POSTERIOR PC80L-HSP R0	B-23300587
05	TM TMIMP DRIVER ASSEMBLED	B-46601446
06	FLAT CABLE HARNESS PCR (21in)	B-21900472
07	FLAT CABLE HARNESS 18 cm	B-21901072
08	SCREW. 8-32x 1/2 C/RED PHILLIPS GALV	B-12100385
09	SUJSEP TARJ. PCR #MS8 (3M) PINGOOD	B-12400118
10	APS EPS205-HS PRINTING MODULE	B-21901071
11	HIGH DENSITY CELLULAR URETHANE SEAL	B-12400246
12	HARNESS PRINTER MOTHERBOARD	B-46601447
13	RS232/DB9 CABLE	B-21900444