

# COMERCIAL SCALE

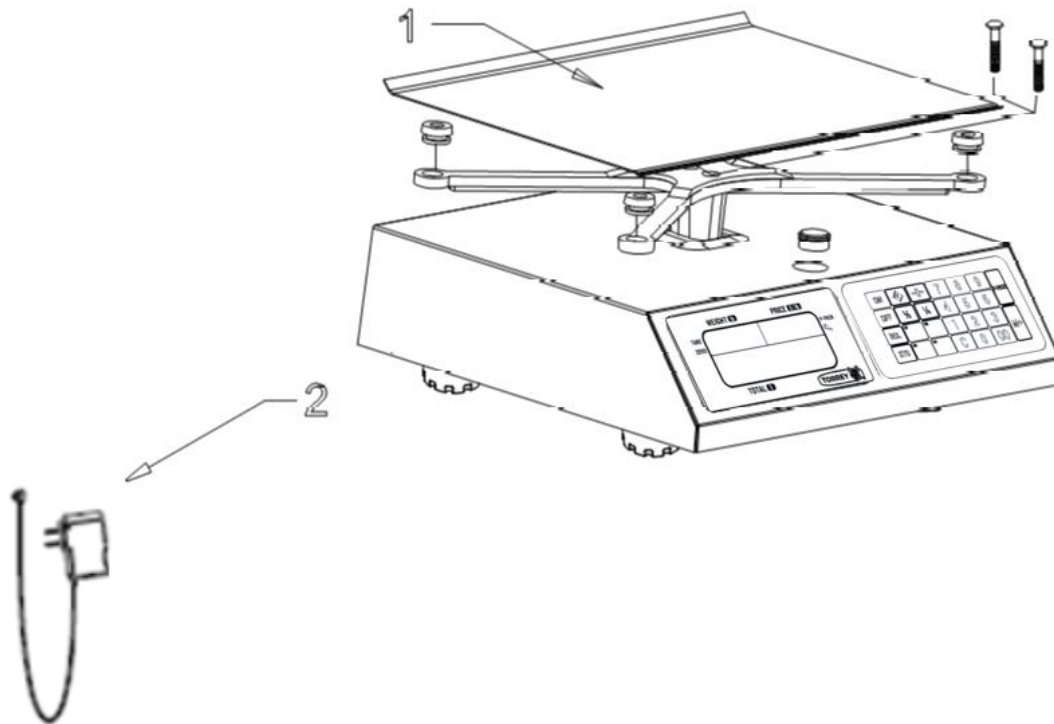
Line: Electronic Scale

Brand: TORREY

Model: LPC40L-HS

Page 1-19

FROM THE SERIAL NUMBER: A19-0000001





## COMERCIAL SCALE

Line: Electronic Scale

Brand: TORREY

Model: LPC40L-HS

Page 1-19

No.	Description.	Code
01	L-PCR20 C.20 PLATE W/BOLTS	B-56300302
02	POWER SUPPLY 110V/220V 6Vcc 500mA SPT	B-21900978

# COMERCIAL SCALE

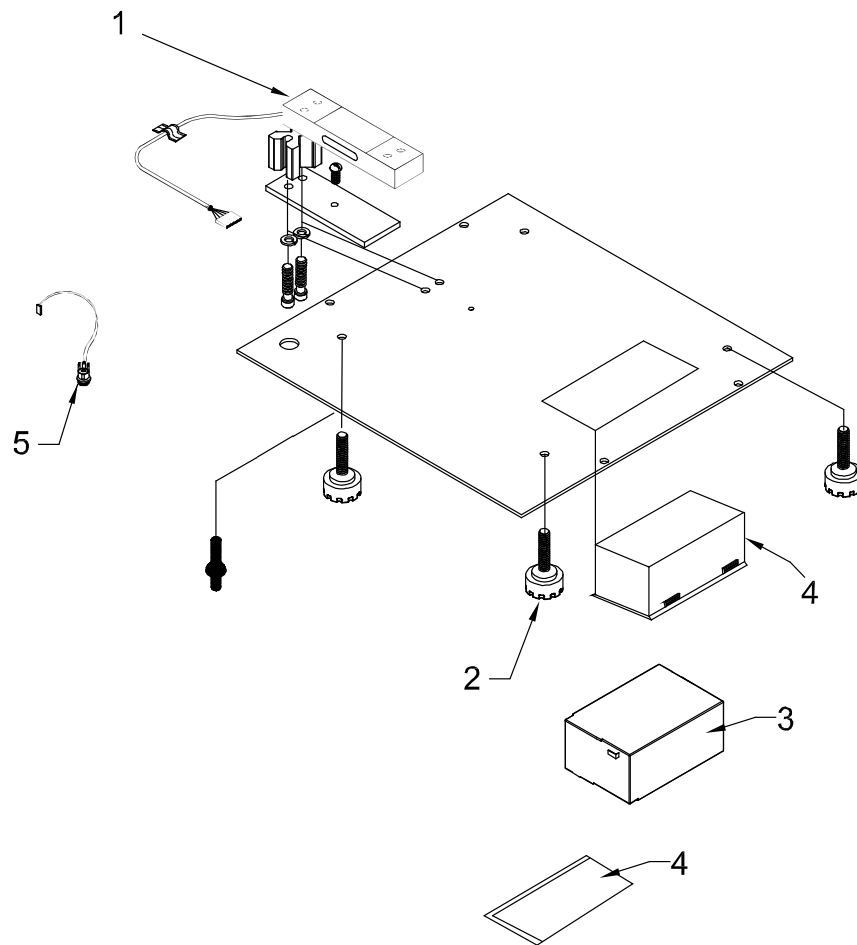
Line: Electronic Scale

Brand: TORREY

Model: LPC40L-HS

Page 2-19

FROM THE SERIAL NUMBER: A19-0000001





SOLUCIONES INTEGRALES DE ALTA CALIDAD

## COMERCIAL SCALE

Line: Electronic Scale

Brand: TORREY

Model: LPC40L-HS

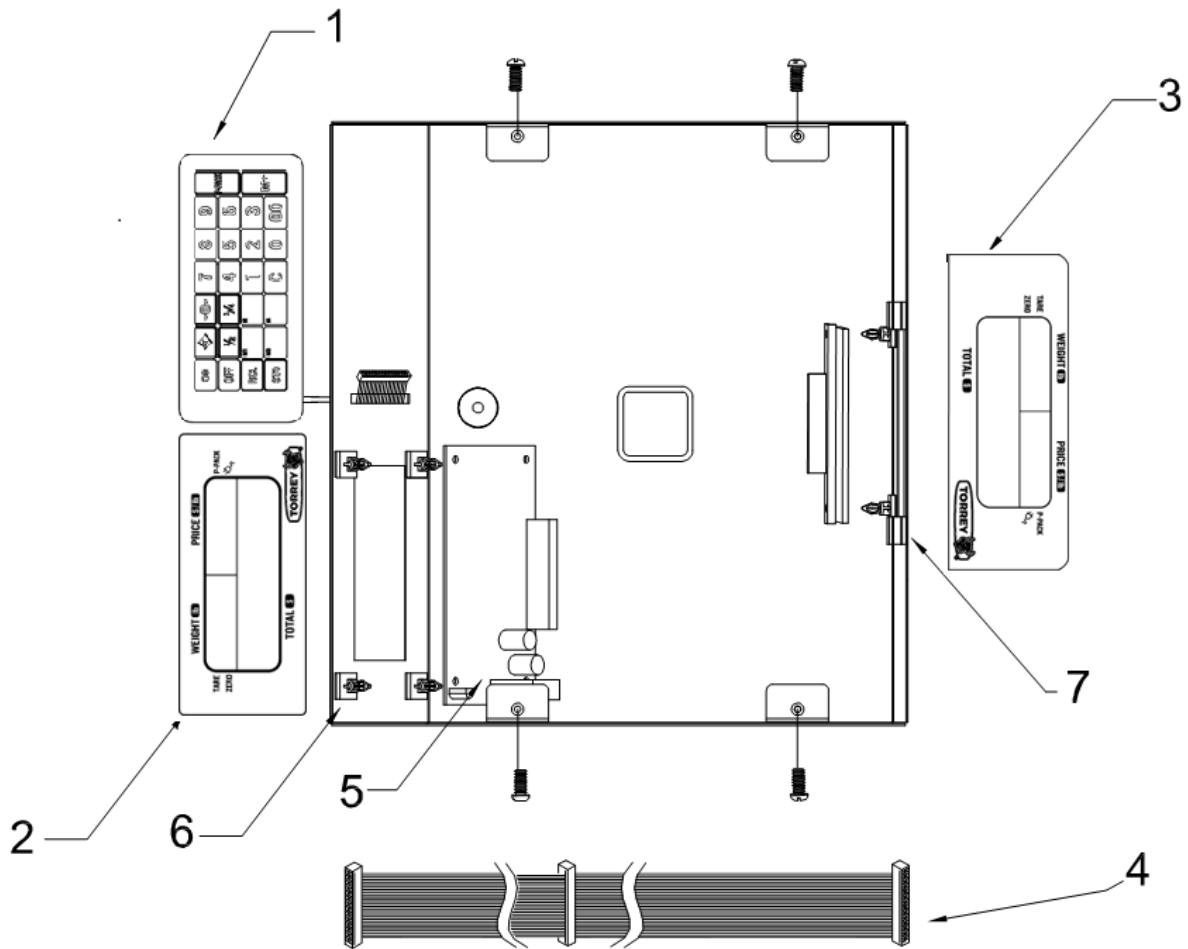
Page 2-19

No.	Description.	Code
01	20KG LOAD CELL FOR USA ASSEMBLED	B-46601026
02	ROUND LEVELING FEET PCR	B-22400041
03	BATTERY 4V 2.5 AH	B-21900926
04	SNAP BOX KIT	B-36700349
05	JACK ROSCADO L-PCR ENS.	B-46600688

# COMERCIAL SCALE

Line: Electronic Scale  
Brand: TORREY  
Model: LPC40L-HS  
Page 3-19

FROM THE SERIAL NUMBER: A19-000001



No.	Description.	Code
01	KEYBOARD LPC-CAP NL R0	B-20200581
02	FRONT OVERLAY LPC-CAP USA	B-23300505
03	BACK OVERLAY LPC-CAP USA	B-23300506
04	LPCR FLAT CABLE HARNESS	B-21900476
05	MASTER BOARD TMPPTCAPSER (LPC) AS.	B-46601384
06	PINGOOD BOARD HOLDER	B-12400118
07	DISPLAY HOLDER	B-12400148

# COMERCIAL SCALE

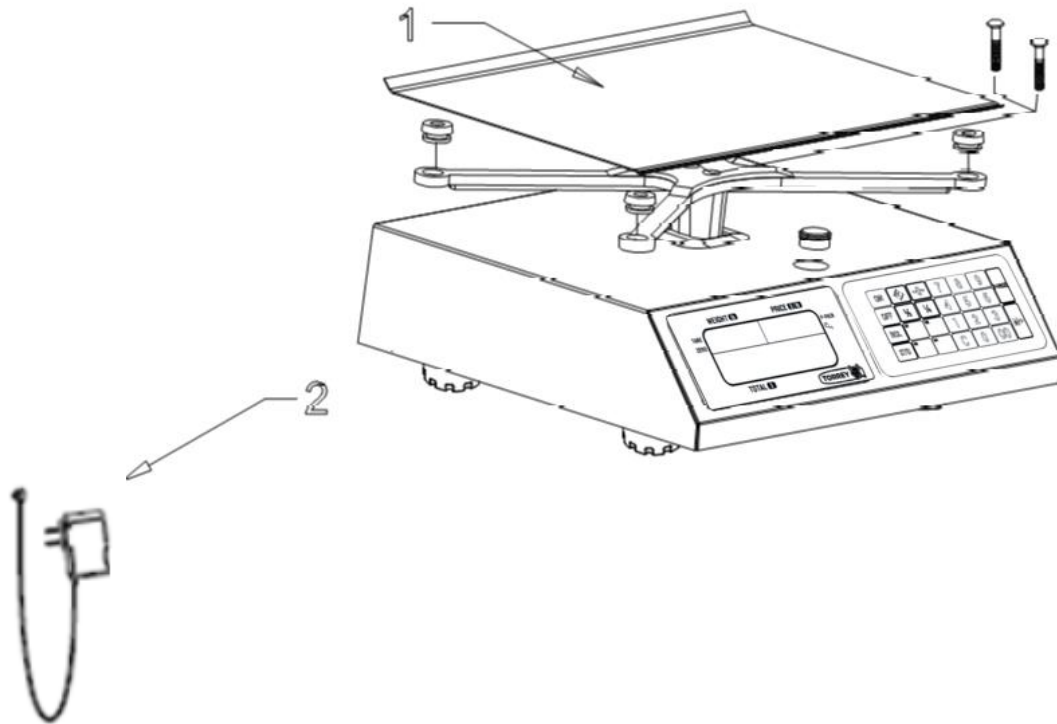
Line: Electronic Scale

Brand: TORREY

Model: LPC40L-HS

Page 1-20

FROM THE SERIAL NUMBER: B20-0000001





## COMERCIAL SCALE

Line: Electronic Scale

Brand: TORREY

Model: LPC40L-HS

Page 1-20

No.	Description.	Code
01	L-PCR20 C.20 PLATE W/BOLTS	B-56300302
02	POWER SUPPLY 110V/220V 6Vcc 500mA SPT	B-21900978



# COMERCIAL SCALE

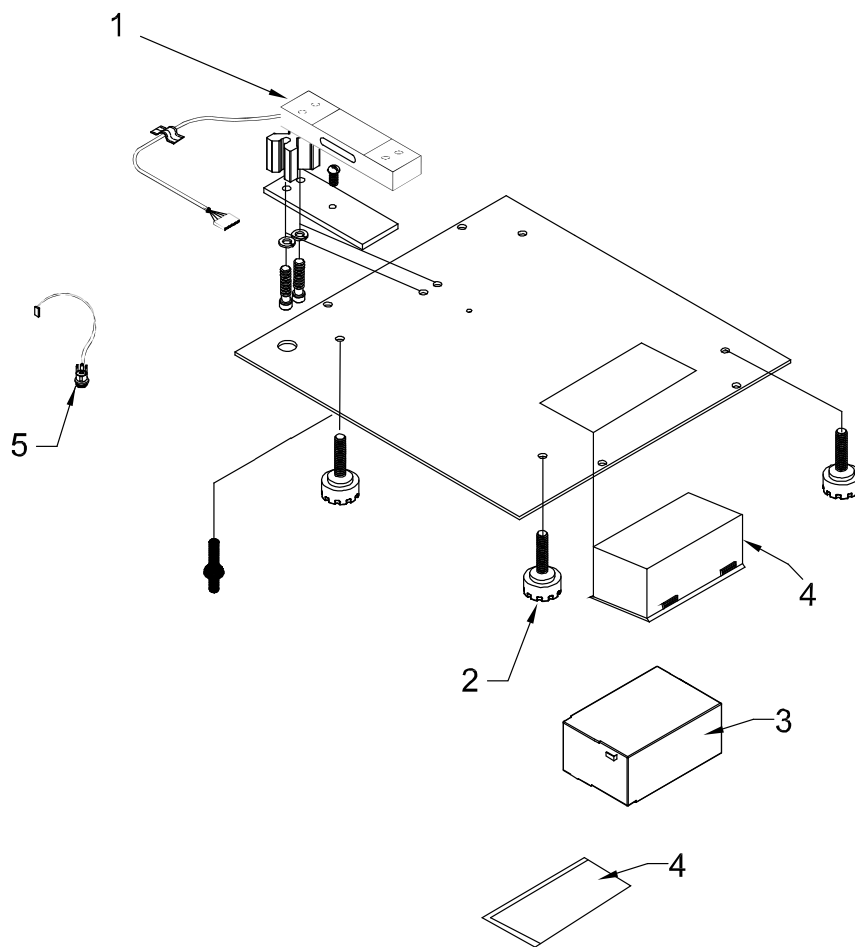
Line: Electronic Scale

Brand: TORREY

Model: LPC40L-HS

Page 2-20

FROM THE SERIAL NUMBER: B20-0000001



## COMERCIAL SCALE

Line: Electronic Scale

Brand: TORREY

Model: LPC40L-HS

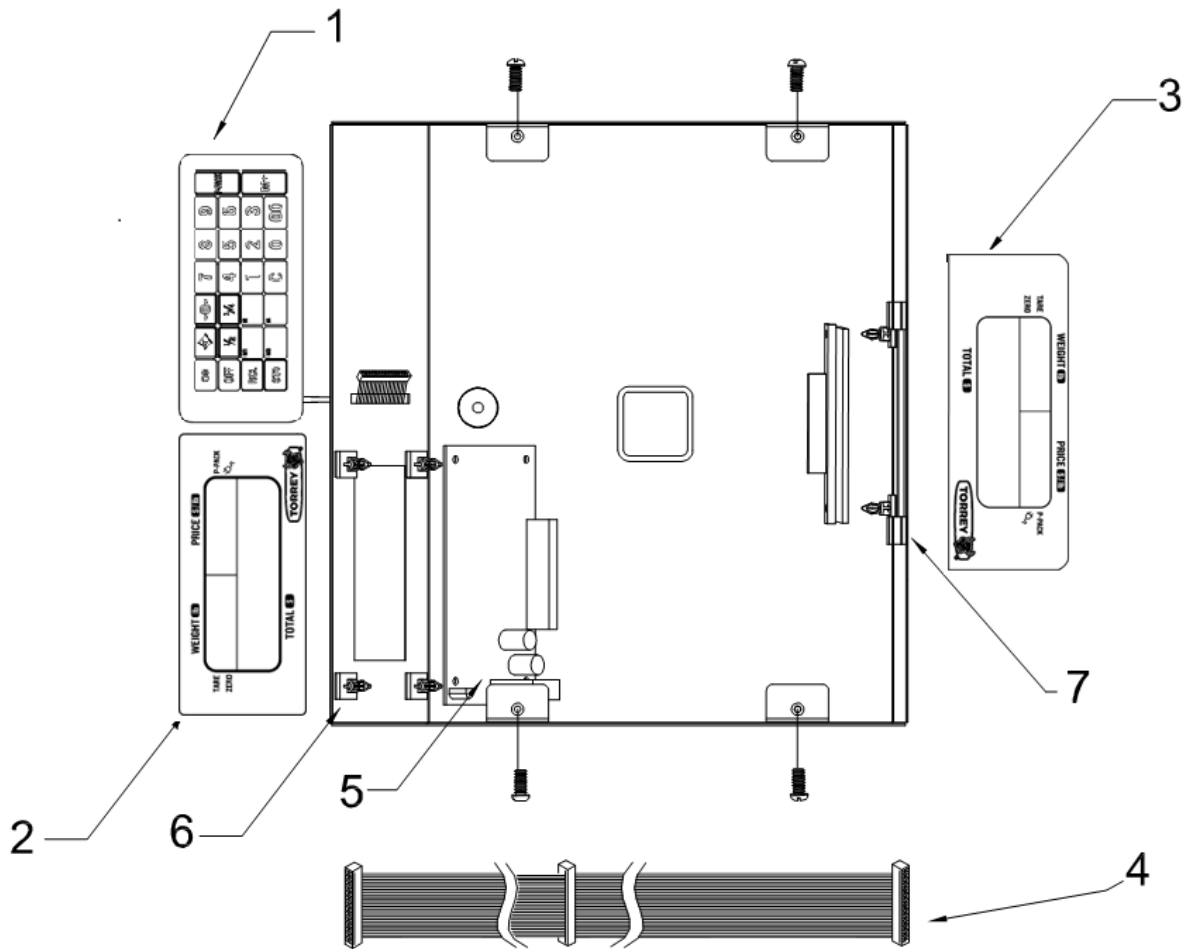
Page 2-20

No.	Description.	Code
01	20KG LOAD CELL FOR USA ASSEMBLED	B-46601026
02	ROUND LEVELING FEET PCR	B-22400041
03	BATTERY 4V 2.5 AH	B-21900926
04	SNAP BOX KIT	B-36700349
05	JACK ROSCADO L-PCR ENS.	B-46600688

# COMERCIAL SCALE

Line: Electronic Scale  
Brand: TORREY  
Model: LPC40L-HS  
Page 3-20

FROM THE SERIAL NUMBER: B20-000001



No.	Description.	Code
01	KEYBOARD LPC-CAP NL R0	B-20200581
02	FRONT OVERLAY LPC-CAP USA	B-23300505
03	BACK OVERLAY LPC-CAP USA	B-23300506
04	LPCR FLAT CABLE HARNESS	B-21900476
05	MASTER BOARD TMPPTCAPUSBSER (LPC) AS.	B-46601443
06	PINGOOD BOARD HOLDER	B-12400118
07	DISPLAY HOLDER	B-12400148