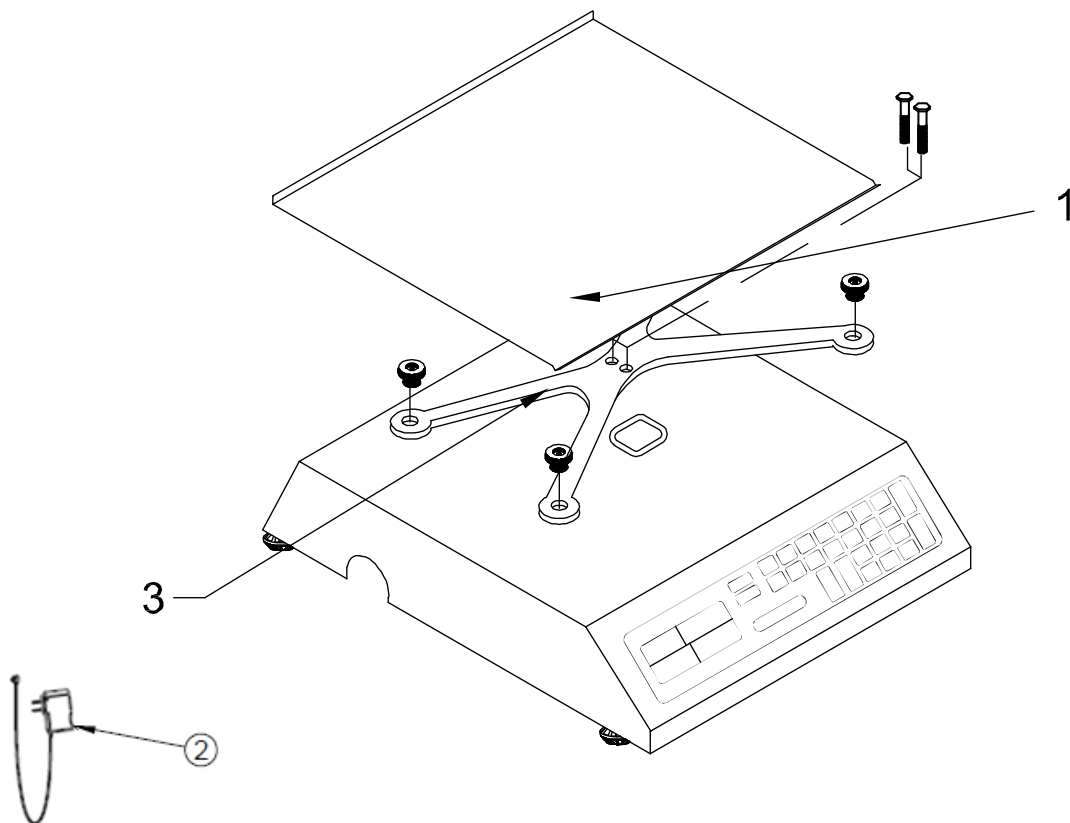


FROM THE SERIAL NUMBER: B19-000001 (PC40LT-HS)
B19-000001 (PC80LT-HS)





COMERCIAL SCALE

Line: Electronic Scale

Brand: TORREY

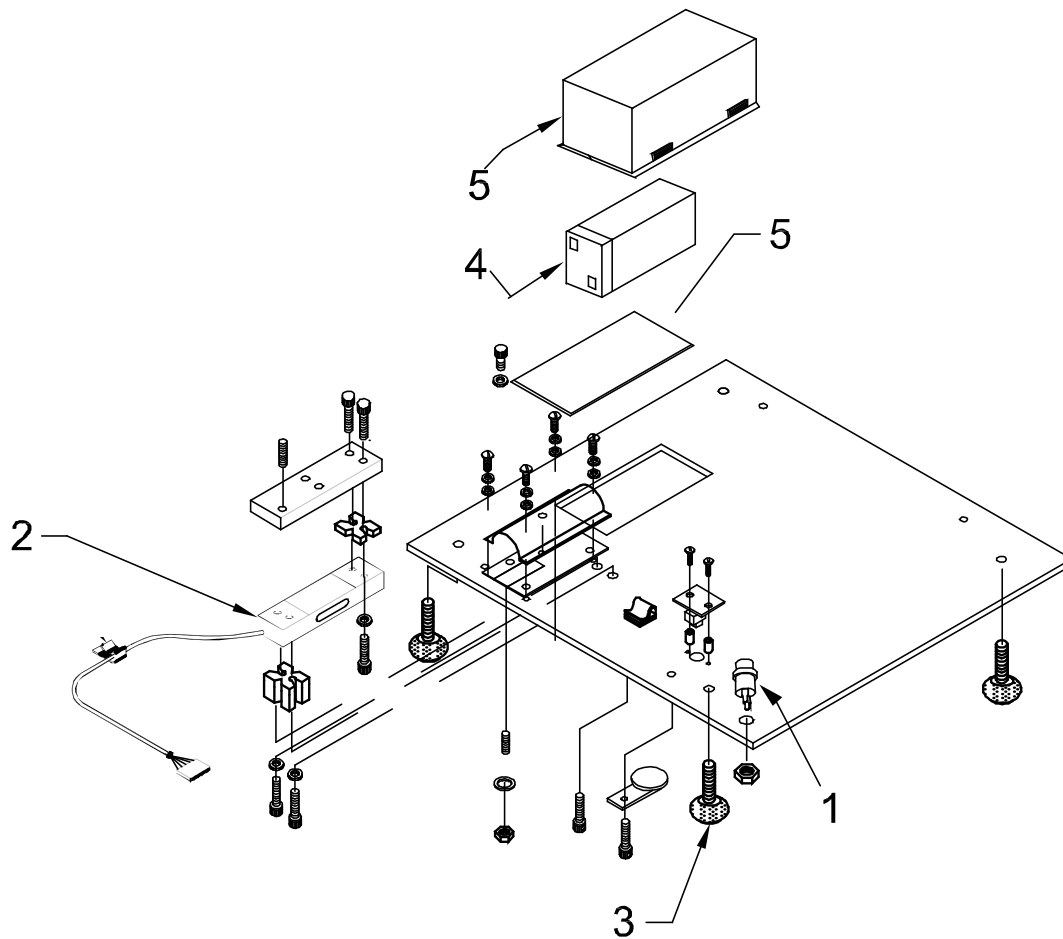
Model: PC40LT-HS, PC80LT-HS

Page 1-19

No.	Description	Code
01	C.20 PCR20 PLATE W/BOLTS	B-56300257
02	AC/DC POWER SUPPLY 110/220V 6Vcc	B-21900978
03	ASSEMBLY MFQ N PLATE HOLDER	B-36700114

FROM THE SERIAL NUMBER: B19-000001 (PC40LT-HS)

B19-000001 (PC80LT-HS)





COMERCIAL SCALE

Line: Electronic Scale

Brand: TORREY

Model: PC40LT-HS, PC80LT-HS

Page 2-19

No.	Description	Code
01	38 CM JACK NO POL ASSEMBLED	46600717
02	WEIGHT SENSOR 20 KG M022 USA NO POL ASSEMBLY	46600964
03	CIRCULAR LEVELING BASE PCR	22400041
04	BATTERY 6V 2.5 AH	21900926
05	SNAP BOX KIT	22400042

FOR THE PC80LT-HS MODEL

No.	Description	Code
01	THREADED JACK LPCR40 ASSEMB.	B-46601093
02	LOAD CELL 40 KG FAIRRITE ASSEMBLED	B-46600695

No.	Description	Code
01	KEYBOARD PC 40L CAPACITIVE R1	B-20200612
02	TM TMPPTCAPIMP (PC-HS) ENS	B-46601449
03	UP HARNESS FLAT CABLE L-PCR T ASSEMBLY	B-46600720
04	LIST OF MEMORIES ING- ESP	B-23300055
05	BOARD HOLDER PINGOOD	B-12400118
06	OVERLAY PC40LT TOT GDE NL R0	B-23300568
07	1/4-20 X 1/2 SCREW GALV	B-12100254
08	ALUMINIUM NUT P/INT MODULE LSQ MAQ	B-56100541
09	FRONT PCR, MFQ TURRET PLASTIC MODULE	B-22400105
10	POST PCR, MFQ TURRET PLASTIC MODULE	B-22400106
11	3/16-24X 3/8 SCREW ROUND	B-12100001
12	3/16 WASHER SPLIT LOCK GALV.	B-12100020
13	TDPPT5 LCD W/BAT (113.3mm x 49.4MM) ASSEMBLED	B-46601388
14	RS232/DB9 CABLE	B-21900444

FOR THE PC80LT-HS MODEL

No.	Description	Code
01	KEYBOARD PC80L CAPACITIVE R1	B-20200614
06	OVERLAY PC80LT TOT GDE NL R0	B-23300569