

# PORTIONING SCALE

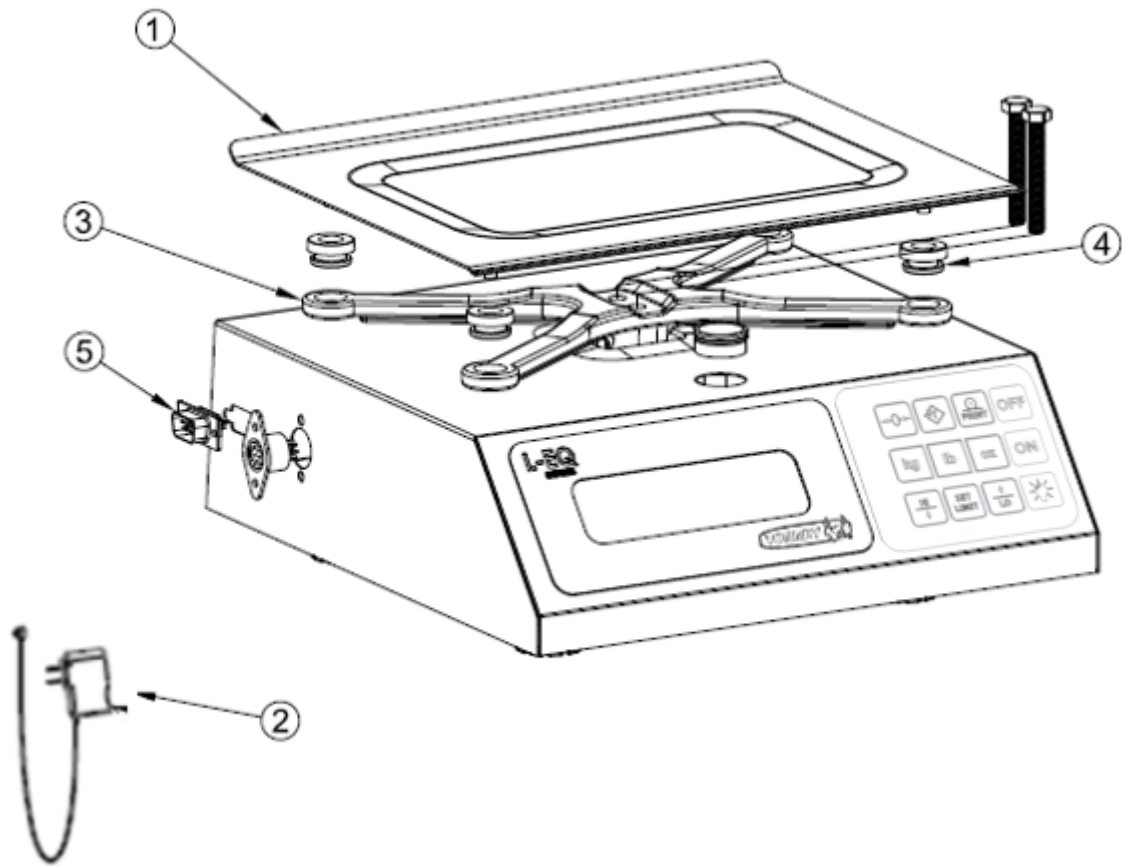
Line: Electronic Scale

Brand: TORREY

Model: LEQ5-HS, LEQ10-HS

Page 1-19

FROM THE SERIAL NUMBER: A19-000001 (LEQ5-HS)  
A19-000001 (LEQ10-HS)





## PORTIONING SCALE

Line: Electronic Scale

Brand: TORREY

Model: LEQ5-HS, LEQ10-HS

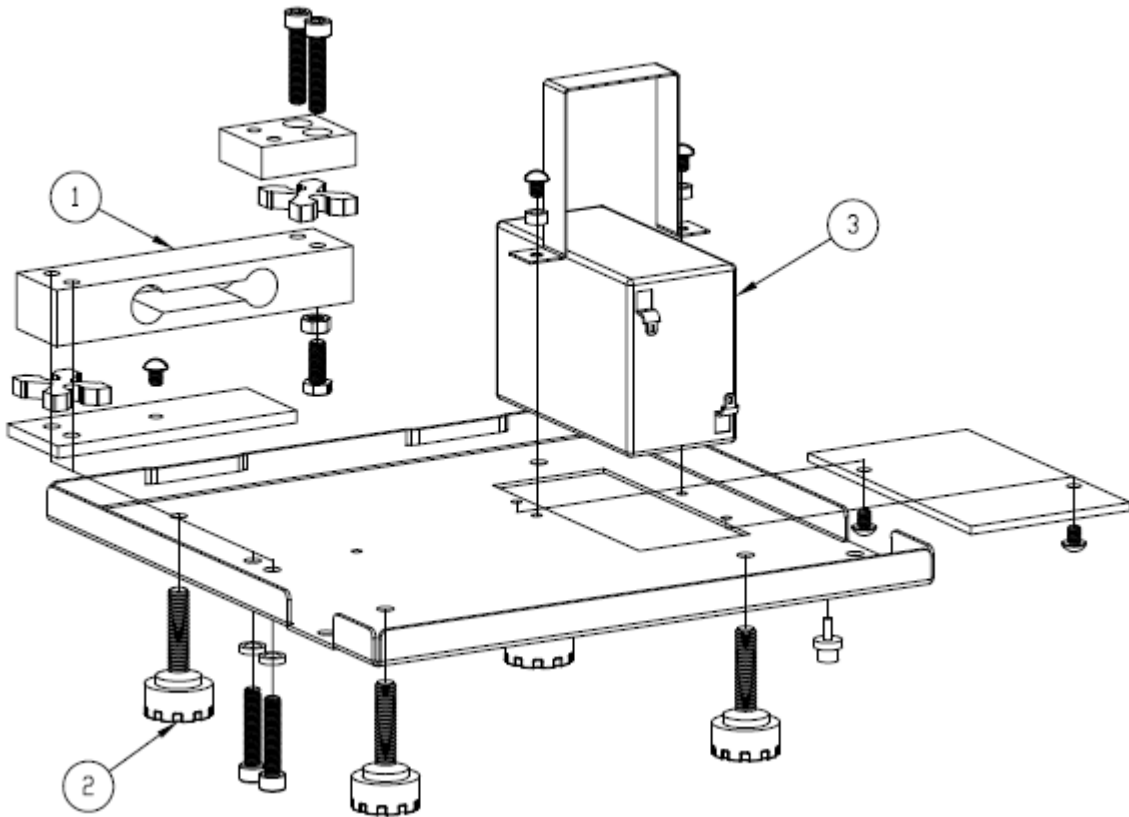
Page 1-19

No.	Description.	Code
01	C.20 L-EQ PLATE W/BOLTS	B-56300491
02	110V/220V 6Vcc 500mA SPT POWER SUPPLY	B-21900978
03	L-PCR PLATE HOLDER ASSEMBLED	B-36700170
04	1/8 PLATE HOLDER'S SEAL	B-12400001
05	DB9 MALE HARNESS ASSEMBLED (24 CM)	B-21900510

# PORTIONING SCALE

Line: Electronic Scale  
Brand: TORREY  
Model: LEQ5-HS, LEQ10-HS  
Page 2-19

FROM THE SERIAL NUMBER: A19-000001 (LEQ5-HS)  
A19-000001 (LEQ10-HS)





## PORTIONING SCALE

Line: Electronic Scale

Brand: TORREY

Model: LEQ5-HS, LEQ10-HS

Page 2-19

No.	Description.	Code
01	5 KG MOD. 1022 LOAD CELL ASSEMBLED	B-46600678
02	PCR LEVELING FEET ROUNDED	B-22400041
03	4V 2.5 AH RECHARGEABLE BATTERY	B-21900926

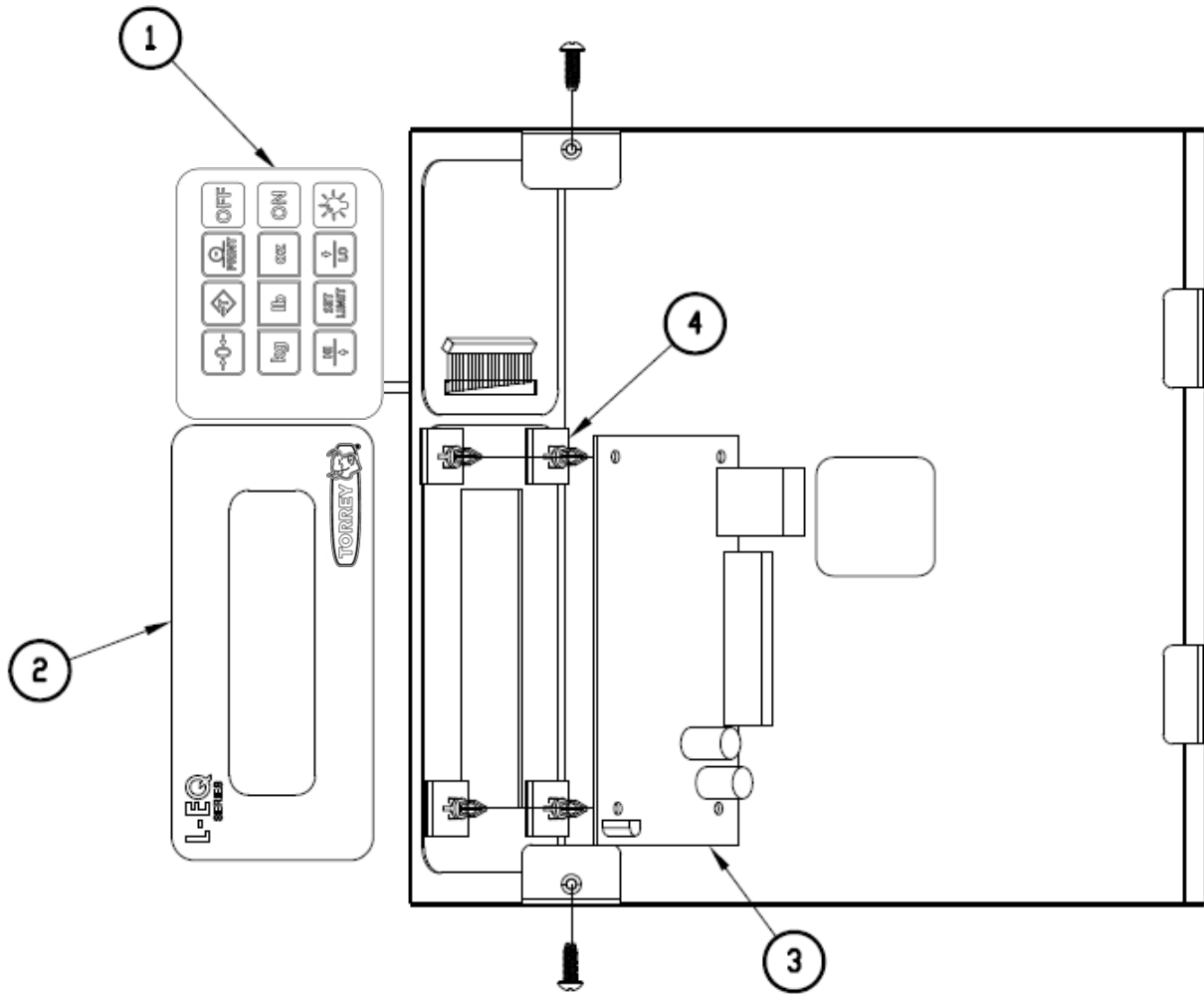
FOR THE LEQ10-HS MODEL:

No.	Description.	Code
01	10KG MOD. 1022 LOAD CELL ASSEMBLED	B-46600684

# PORTIONING SCALE

Line: Electronic Scale  
Brand: TORREY  
Model: LEQ5-HS, LEQ10-HS  
Page 3-19

FROM THE SERIAL NUMBER: A19-000001 (LEQ5-HS)  
A19-000001 (LEQ10-HS)





## PORTIONING SCALE

Line: Electronic Scale

Brand: TORREY

Model: LEQ5-HS, LEQ10-HS

Page 3-19

No.	Description.	Code
01	L-EQ CAP. KEYBOARD	B-20200607
02	L-EQ R1 OVERLAY NL	B-23300504
03	MASTER BOARD TMPPTCAPSER (LEQ-USA) ASSEMBLED	B-46601389
04	PCR #MS-8 (3M) BOARD HOLDER PINGOOD	B-12400118

# PORTIONING SCALE

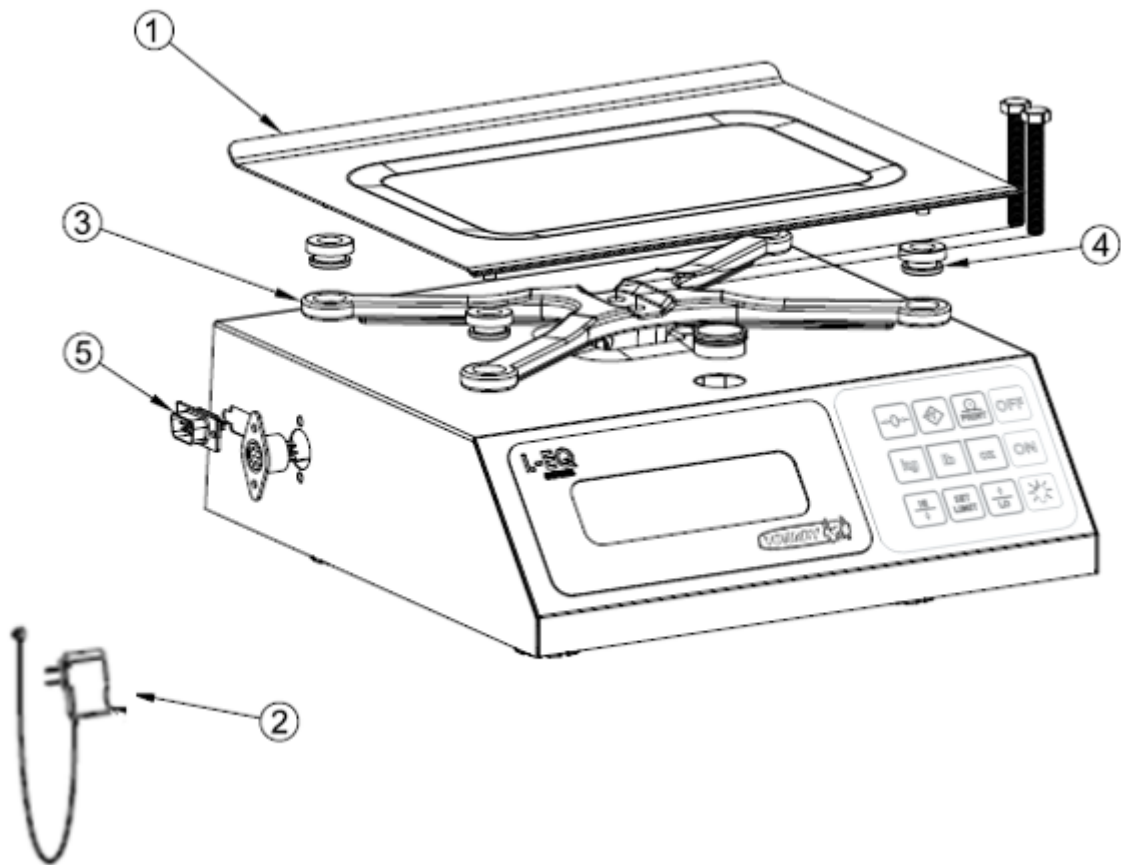
Line: Electronic Scale

Brand: TORREY

Model: LEQ5-HS, LEQ10-HS

Page 1-20

FROM THE SERIAL NUMBER: D20-000001 (LEQ5-HS)  
D20-000001 (LEQ10-HS)





## PORTIONING SCALE

Line: Electronic Scale

Brand: TORREY

Model: LEQ5-HS, LEQ10-HS

Page 1-20

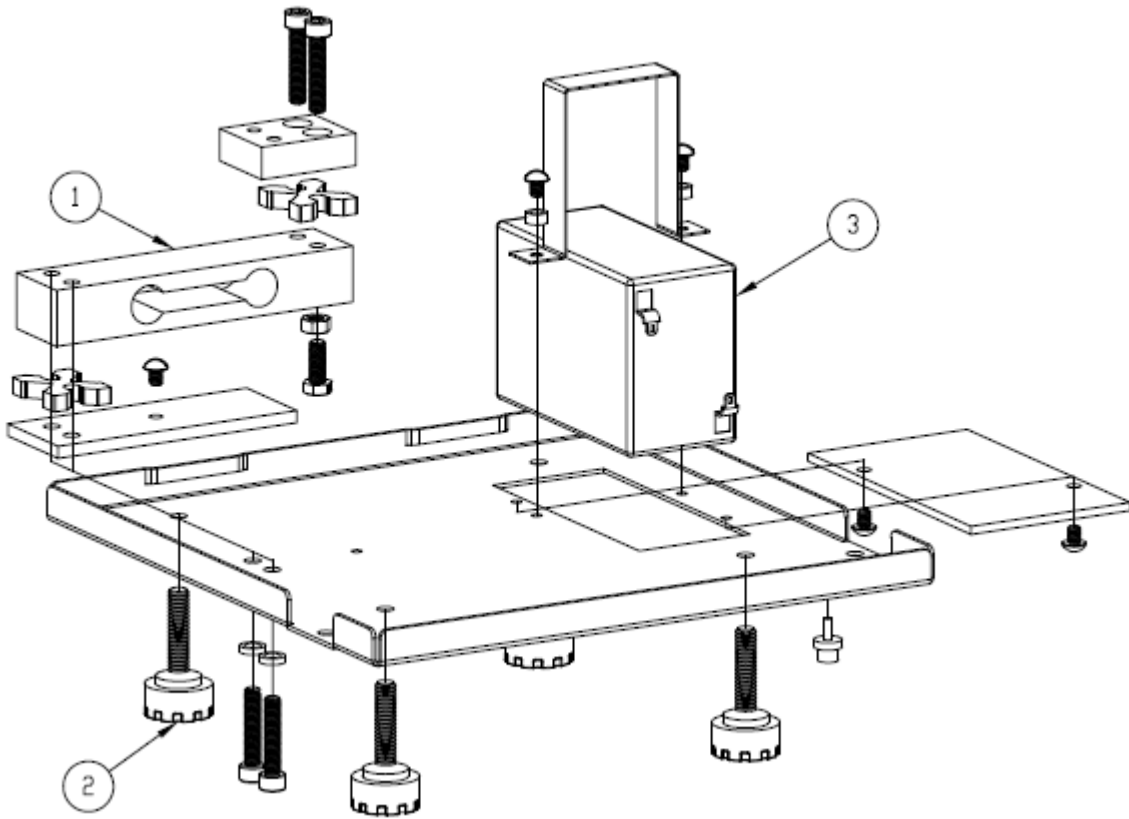
No.	Description.	Code
01	C.20 L-EQ PLATE W/BOLTS	B-56300491
02	110V/220V 6Vcc 500mA SPT POWER SUPPLY	B-21900978
03	L-PCR PLATE HOLDER ASSEMBLED	B-36700170
04	1/8 PLATE HOLDER'S SEAL	B-12400001
05	DB9 MALE HARNESS ASSEMBLED (24 CM)	B-21900510



# PORTIONING SCALE

Line: Electronic Scale  
Brand: TORREY  
Model: LEQ5-HS, LEQ10-HS  
Page 2-20

FROM THE SERIAL NUMBER: D20-000001 (LEQ5-HS)  
D20-000001 (LEQ10-HS)





## PORTIONING SCALE

Line: Electronic Scale

Brand: TORREY

Model: LEQ5-HS, LEQ10-HS

Page 2-20

No.	Description.	Code
01	5 KG MOD. 1022 LOAD CELL ASSEMBLED	B-46600678
02	PCR LEVELING FEET ROUNDED	B-22400041
03	4V 2.5 AH RECHARGEABLE BATTERY	B-21900926

FOR THE LEQ10-HS MODEL:

No.	Description.	Code
01	10KG MOD. 1022 LOAD CELL ASSEMBLED	B-46600684

# PORTIONING SCALE

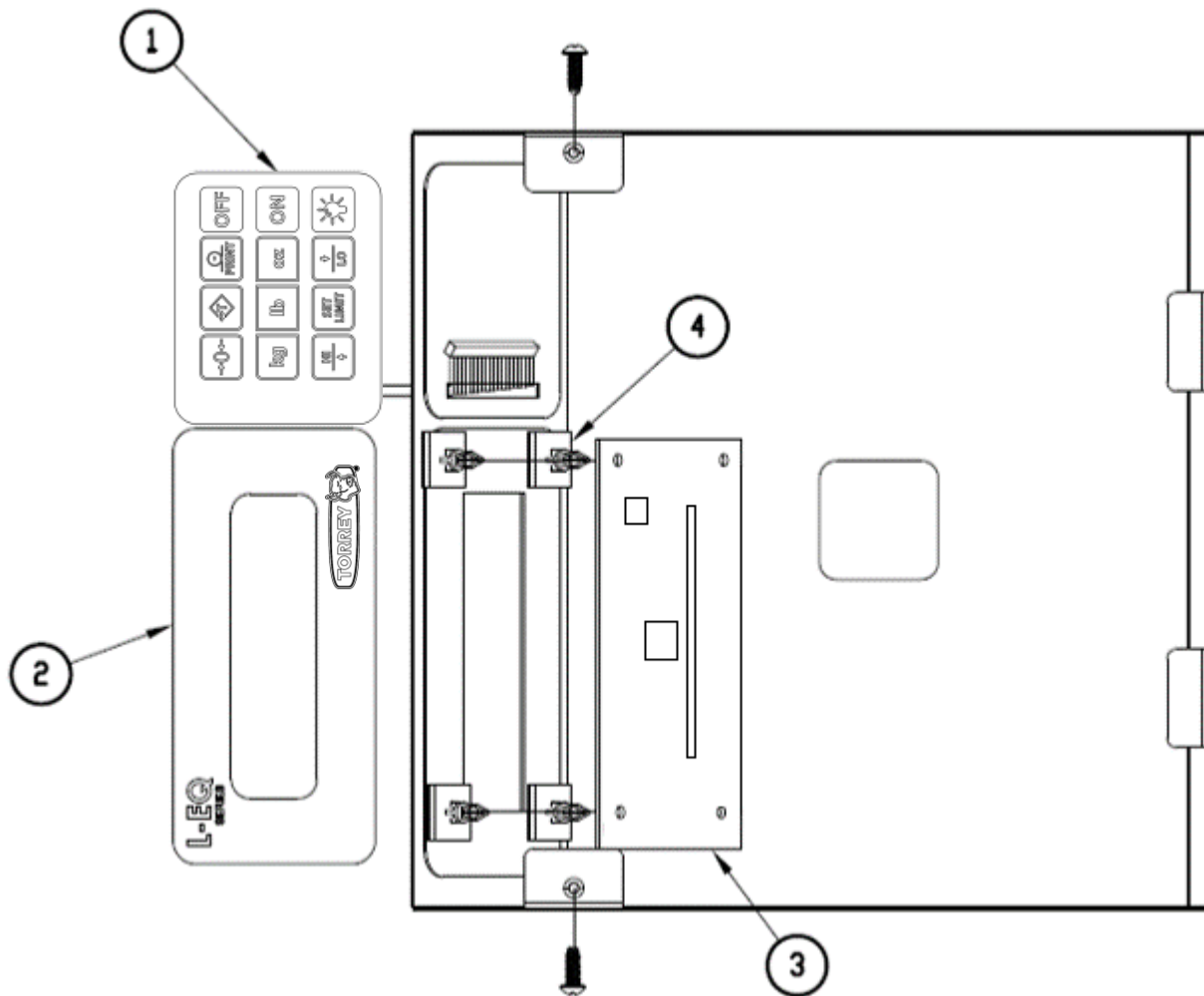
Line: Electronic Scale

Brand: TORREY

Model: LEQ5-HS, LEQ10-HS

Page 3-20

FROM THE SERIAL NUMBER: D20-000001 (LEQ5-HS)  
D20-000001 (LEQ10-HS)





## PORTIONING SCALE

Line: Electronic Scale

Brand: TORREY

Model: LEQ5-HS, LEQ10-HS

Page 3-20

No.	Description.	Code
01	L-EQ CAP. KEYBOARD	B-20200607
02	L-EQ R1 OVERLAY NL	B-23300504
03	MASTER BOARD TMPPTCAPUSBSER (LEQ-USA) ASSEMBLED	B-46601456
04	PCR #MS-8 (3M) BOARD HOLDER PINGOOD	B-12400118