

LABELING / PRINTING SCALE

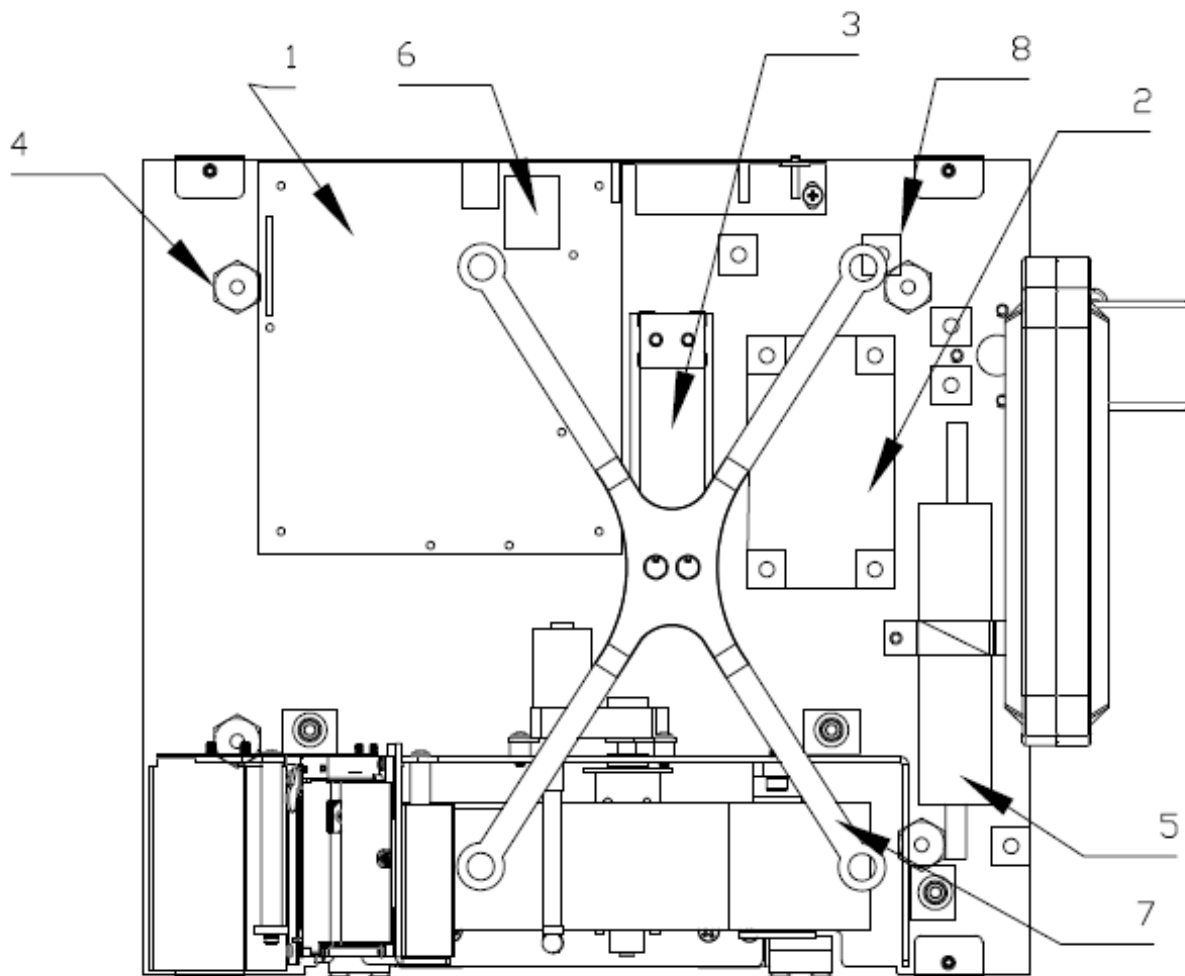
Line: Electronic Scale

Brand: TORREY

Model: W-LABEL40L

Page 1-17

FROM THE SERIAL NUMBER: E17-000101





LABELING / PRINTING SCALE

Line: Electronic Scale

Brand: TORREY

Model: W-LABEL40L

Page 1-17

No.	Description.	Code
01	MAIN BOARD W-LABEL ASSEMBLY	B-46601569
02	POWER SUPPLY TFBCR Ø ASSEMBLY.	B-46601135
03	20KG LOAD CELL, MODEL 1022 W-LABEL ASSEMBLY	B-46601315
04	HEXAGONAL LEVELING FOOT (INJECTED)	B-12400102
05	POWER SUPPLY 24V ASSEMBLY	B-46601164
06	WIFI MODULE	B-20700163
07	SUPPORT PLATE MFQ ASSEMBLY	B-36700067
08	SUJSEP TARJ. PCR #MS8 (3M) PINGOOD	B-12400118

LABELING / PRINTING SCALE

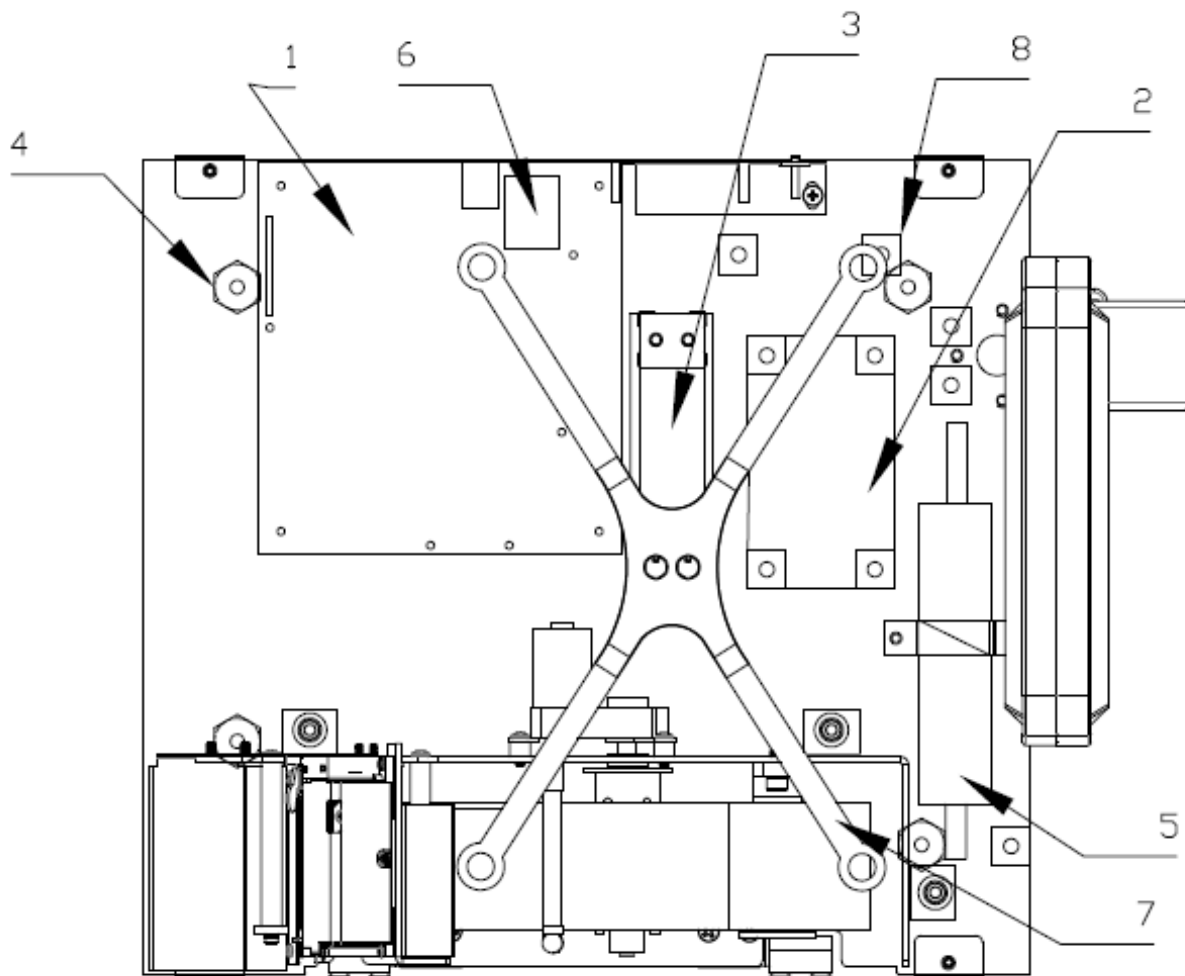
Line: Electronic Scale

Brand: TORREY

Model: W-LABEL40L

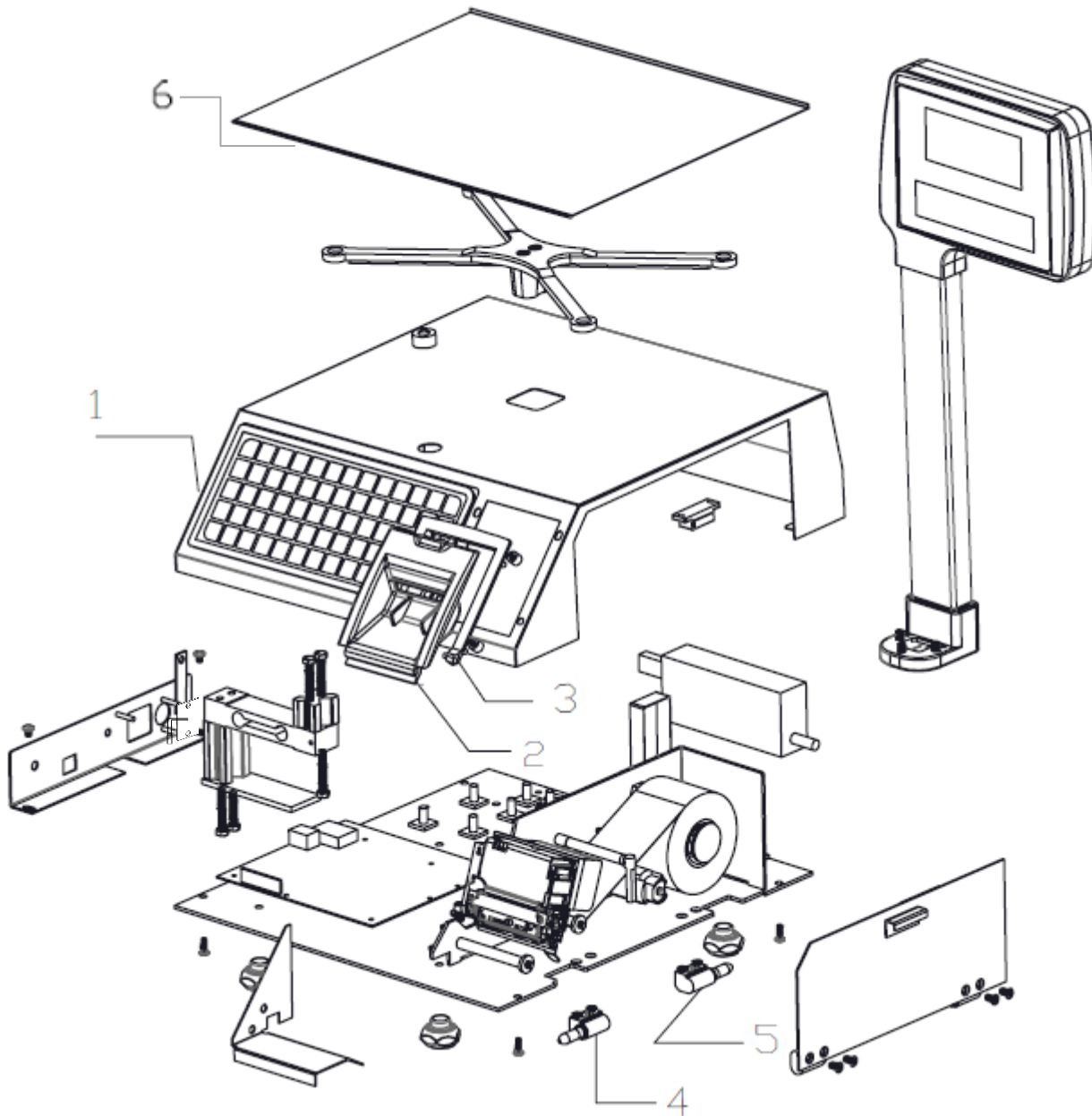
Page 1-19

FROM THE SERIAL NUMBER: E17-000101



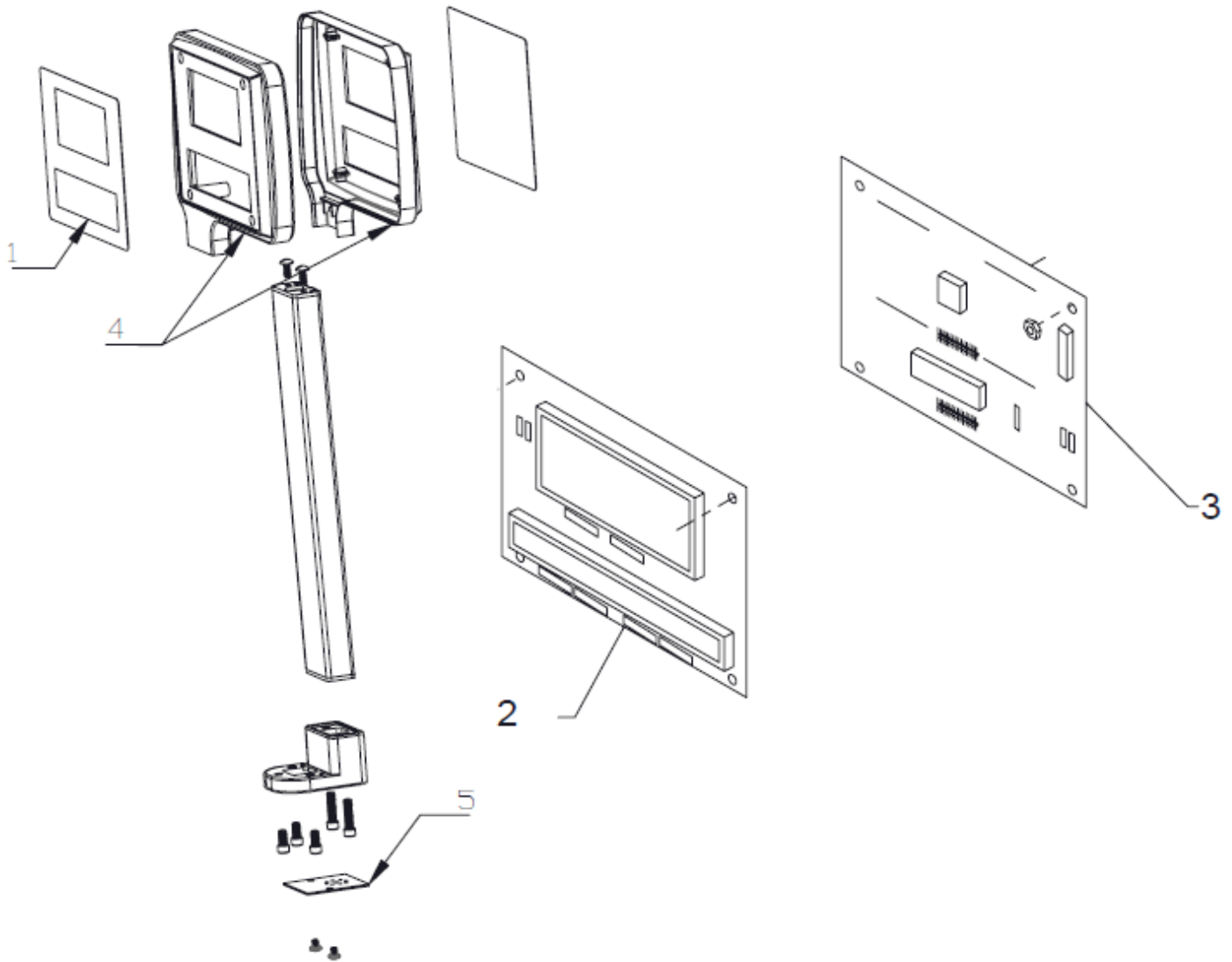
No.	Description.	Code
01	MOTHERBOARD W-LABEL ASSEMBLY	B-46601577
02	POWER SUPPLY TFBCR Ø ASSEMBLY.	B-46601135
03	20KG LOAD CELL, MODEL 1022 W-LABEL ASSEMBLY	B-46601315
04	HEXAGONAL LEVELING FOOT (INJECTED)	B-12400102
05	POWER SUPPLY 24V ASSEMBLY	B-46601164
06	WIFI MODULE	B-20700163
07	SUPPORT PLATE MFQ ASSEMBLY	B-36700067
08	SUJSEP TARJ. PCR #MS8 (3M) PINGOOD	B-12400118

FROM THE SERIAL NUMBER: L17-000000



No.	Description.	Code
01	KEYBOARD FOR W-LABEL SCALE	B-20200565
02	PLASTIC DOOR FOLDING LABEL	B-22400527
03	FRAME FOR DOOR PLASTIC LABEL	B-22400528
04	J. PLASTIC HINGE LEFT ASSEMBLY	B-22400145
05	J. PLASTIC HINGE RIGHT ASSEMBLY	B-22400146
06	PLATO WLS CON PERNOS SOLD	B-56300637

FROM THE SERIAL NUMBER: L17-000000





LABELING / PRINTING SCALE

Line: Electronic Scale

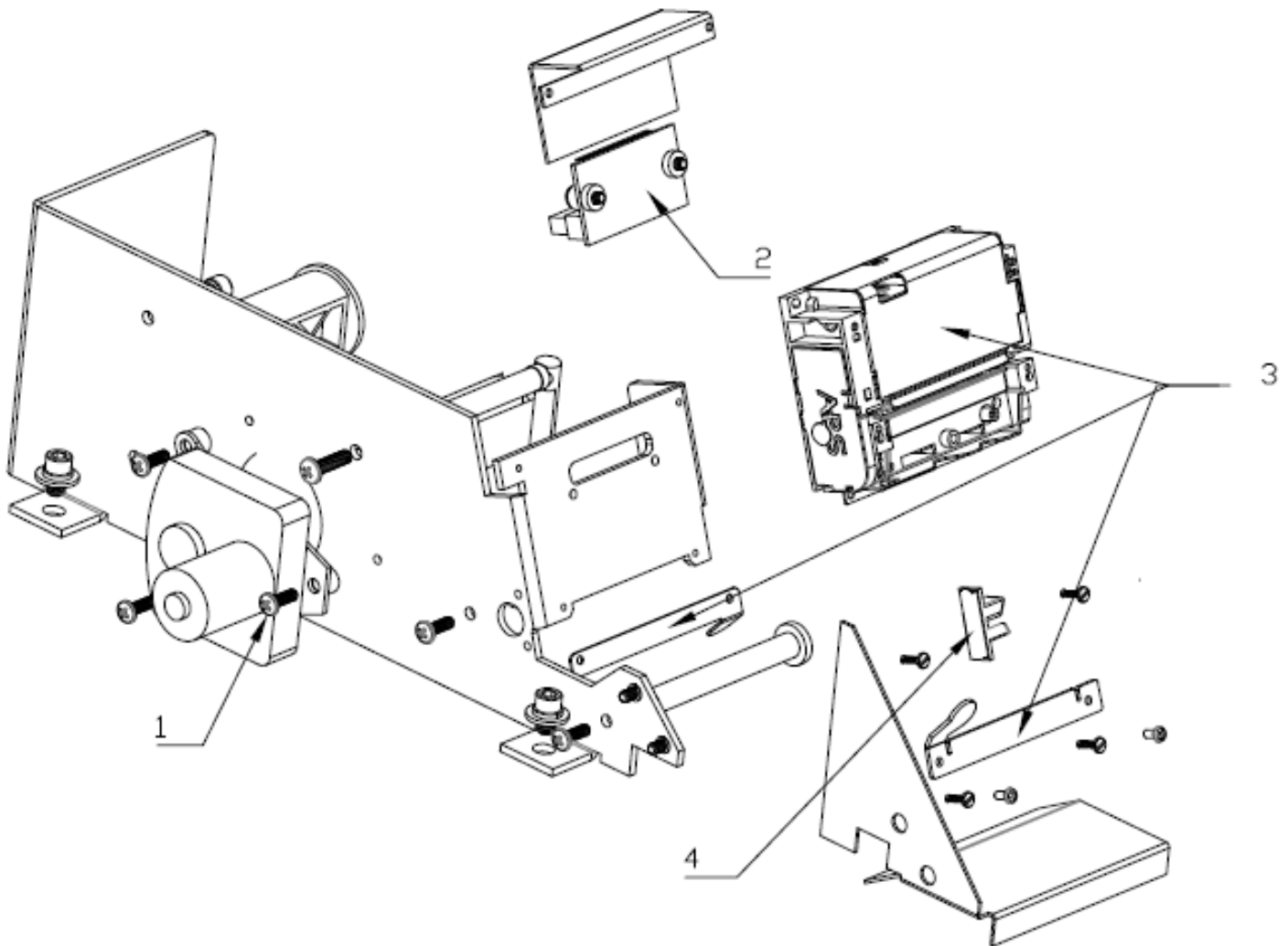
Brand: TORREY

Model: W-LABEL40L

Page 3-17

No.	Description.	Code
01	OVERLAY OF TURRET W-LABEL ING NL R0	B-23300513
02	FRONT DISPLAY CARD W-LABEL ASSEMBLY	B-46600847
03	REAR LCD DISPLAY ASSEMBLY	B-46601276
04	PLASTIC MODULE. TURRET ASSEMBLY	B-46601307
05	LASER CUT LOWER COVER FOR ALUMINUM SUPPORT	B-34700154
06	*HARNESS 6 TERMINALS FOR TURRET ASSEMBLY	B-46601316

FROM THE SERIAL NUMBER: E17-000101





LABELING / PRINTING SCALE

Line: Electronic Scale

Brand: TORREY

Model: W-LABEL40L

Page 4-17

No.	Description.	Code
01	DIRECT MOTOR ASSEMBLY	B-46600553
02	IMPRESOR CARD W-LABEL ASSEMBLY	B-466001273
03	IMPRESOR W-LABEL	B-46601308
04	PAPER SENSOR ASSEMBLY 4P	B-46601033

LABELING / PRINTING SCALE

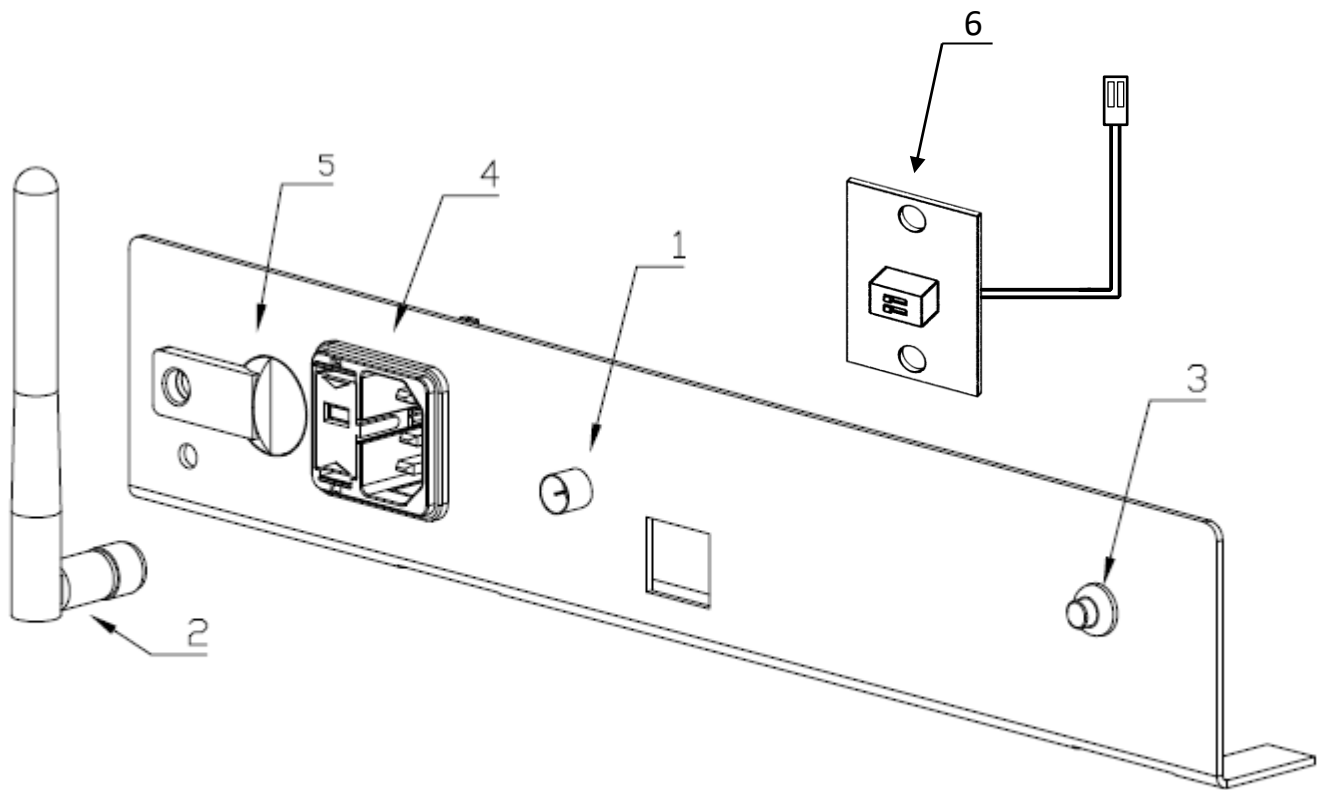
Line: Electronic Scale

Brand: TORREY

Model: W-LABEL40L

Page 5-17

FROM THE SERIAL NUMBER: E17-000101





LABELING / PRINTING SCALE

Line: Electronic Scale

Brand: TORREY

Model: W-LABEL40L

Page 5-17

No.	Description.	Code
01	HARNESS SMA P/P JACK WIRELESS	B-21900597
02	EXTERNAL ANTENNA WIRELESS	B-21900594
03	HARNESS OF BUTTON ON/OFF ASSEMBLY	B-46601153
04	KIT POWER ENTRY MODULE	B-36700463
05	TOP P/DIP SWITCH PLASTIC	B-12400104
06	CALIBRATION SWITCH ASSEMBLY	B-46601152