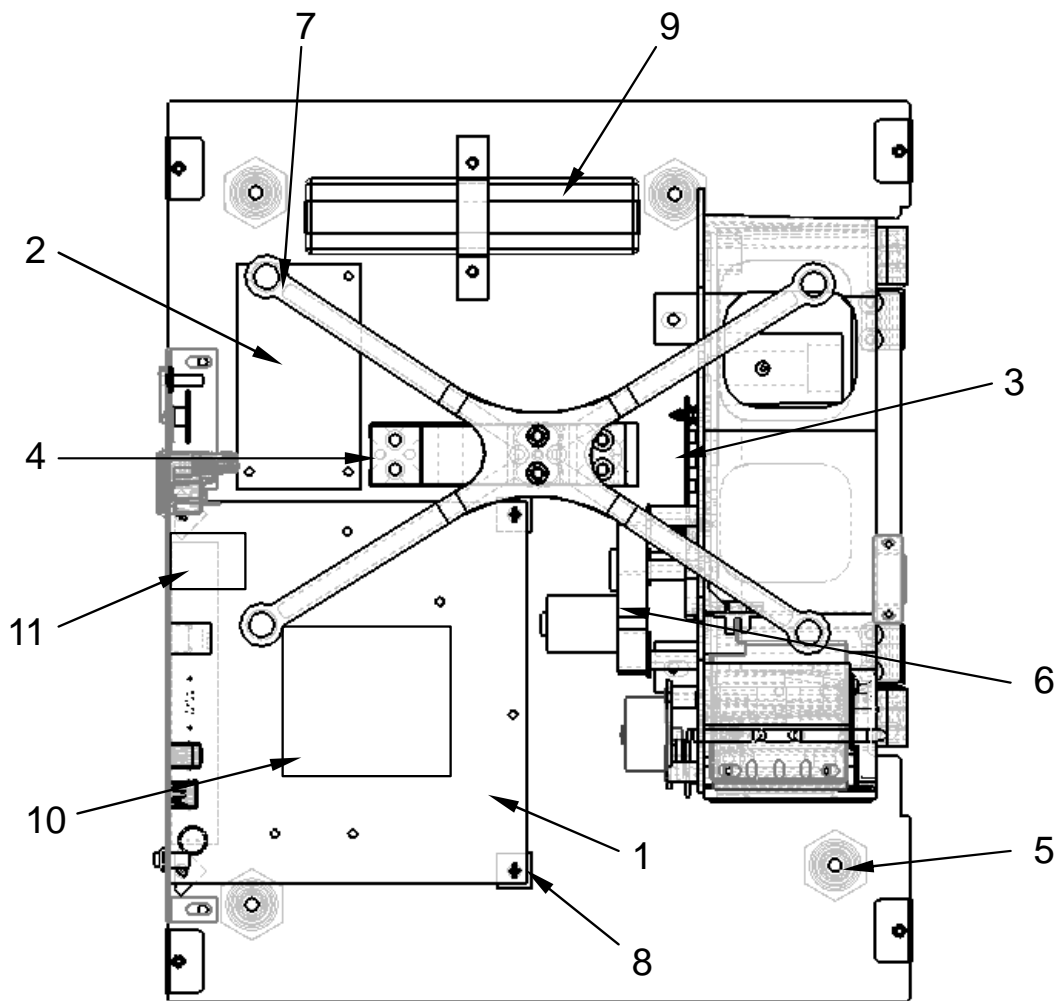
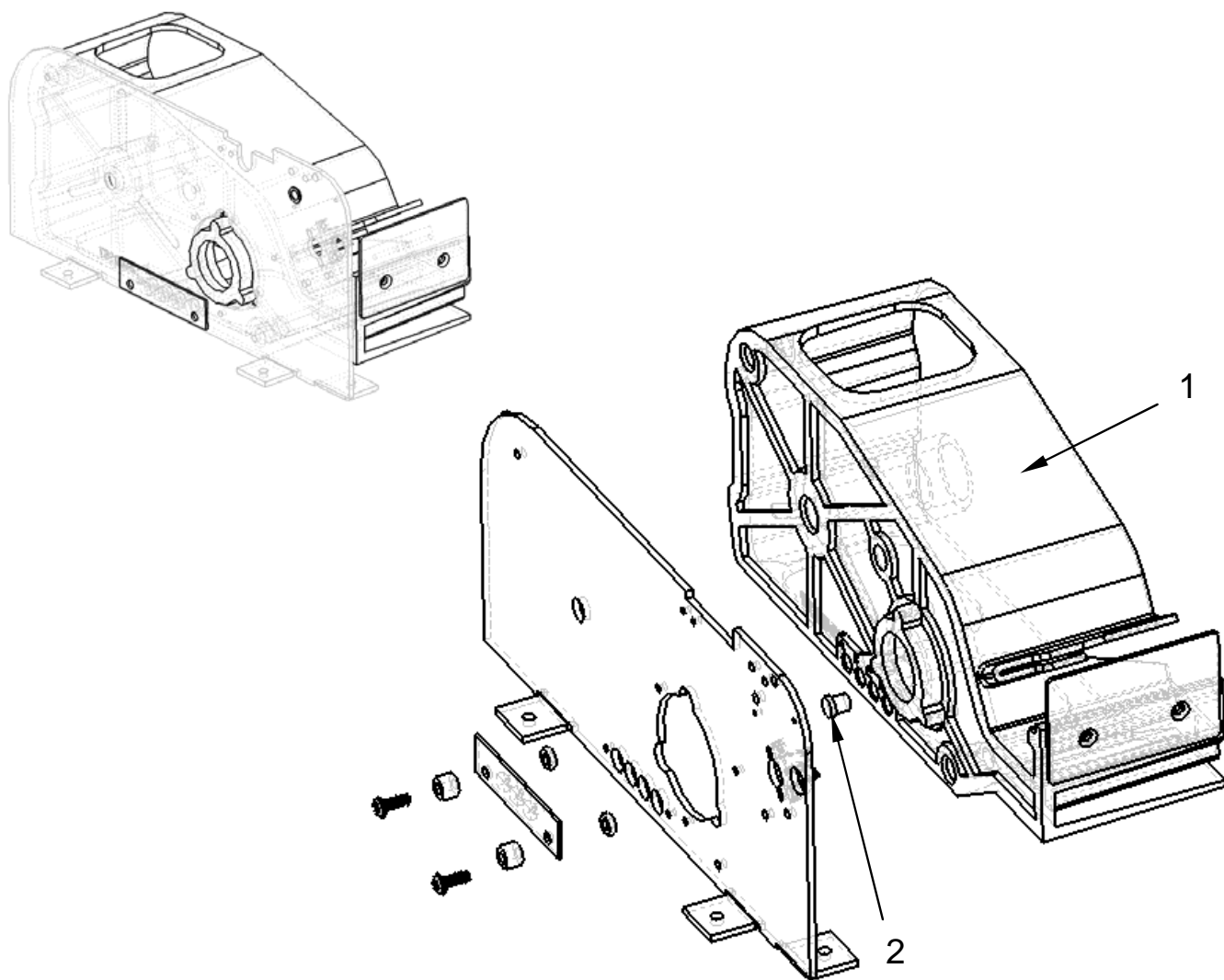


FROM SERIES: F13-000001



| No. | Description | Code |
|-----|--|----------|
| 01 | MASTER BOARD TMBCR0 ASSEMBLY | 46601133 |
| 02 | MASTER POWER BOARD TFBCR0 ENS. | 46601135 |
| 03 | INTELLIGENT CARTRIDGE CARG ASSEMBLY | 46601157 |
| 04 | LOAD CELL 20KG MOD. 1022 WLS40LB-NT ASSEMBLY | 46601181 |
| 05 | HEXAGONAL LEVELING FOOT (INJECTED) | 12400102 |
| 06 | DIRECT CURRENT MOTOR ASSEMBLY | 46600553 |
| 07 | PLATE HOLDER MFQ ASSEMBLY | 36700067 |
| 08 | SUJSEP BOARD. PCR #MS8 (3M) PINGOOD | 12400118 |
| 09 | AC/DC ADAPTER 24V ENS. | 46601164 |
| 10 | SOM BOARD | 20300198 |
| 11 | WIFI MODULE | 20700163 |

FROM SERIE : F13-000001





LABELING / PRINTING SCALE

Line: Electronic Scale

Brand: TORREY

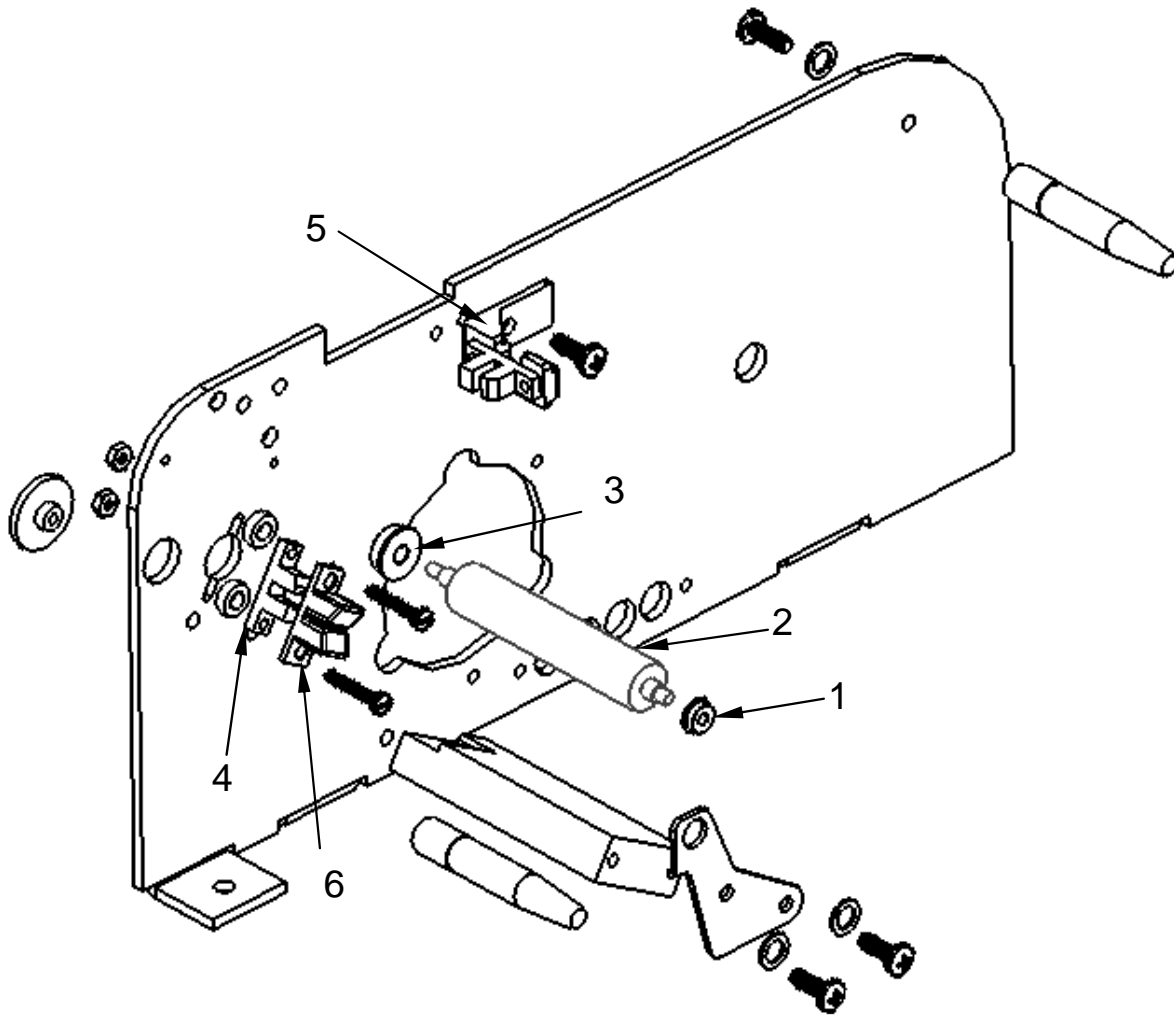
Model: WLS-40L

Page 2-13

| No. | Description | Code |
|-----|------------------------------------|----------|
| 01 | CARTRIDGE PLS2000 PLASTIC ASSEMBLY | 46600904 |
| 02 | PLUG FOR PUSH BOTTON CARTRIDGE | 12400106 |
| 03 | *CARTRIDGE HARNESS ASSEMBLY | 46601156 |

* PART NOT REPRESENTED

FROM SERIE: F13-000001



| No. | Description | Code |
|-----|---------------------------------------|----------|
| 01 | BALERO BBSLFXMR830XX301 | 12900253 |
| 02 | RUBBER ROLLER TYPE 1 35 TO 40 SHORE A | 46601135 |
| 03 | BALERO #P BBSRFX3XXXXX301 | 46601157 |
| 04 | HARNESS CITSENSOR ASSEMBLY 4P. | 46601181 |
| 05 | HARNESS SENSOR HEAD IMP. ASSEMBLY. | 12400102 |
| 06 | SENSOR PROTECTOR | 46600553 |

LABELING / PRINTING SCALE

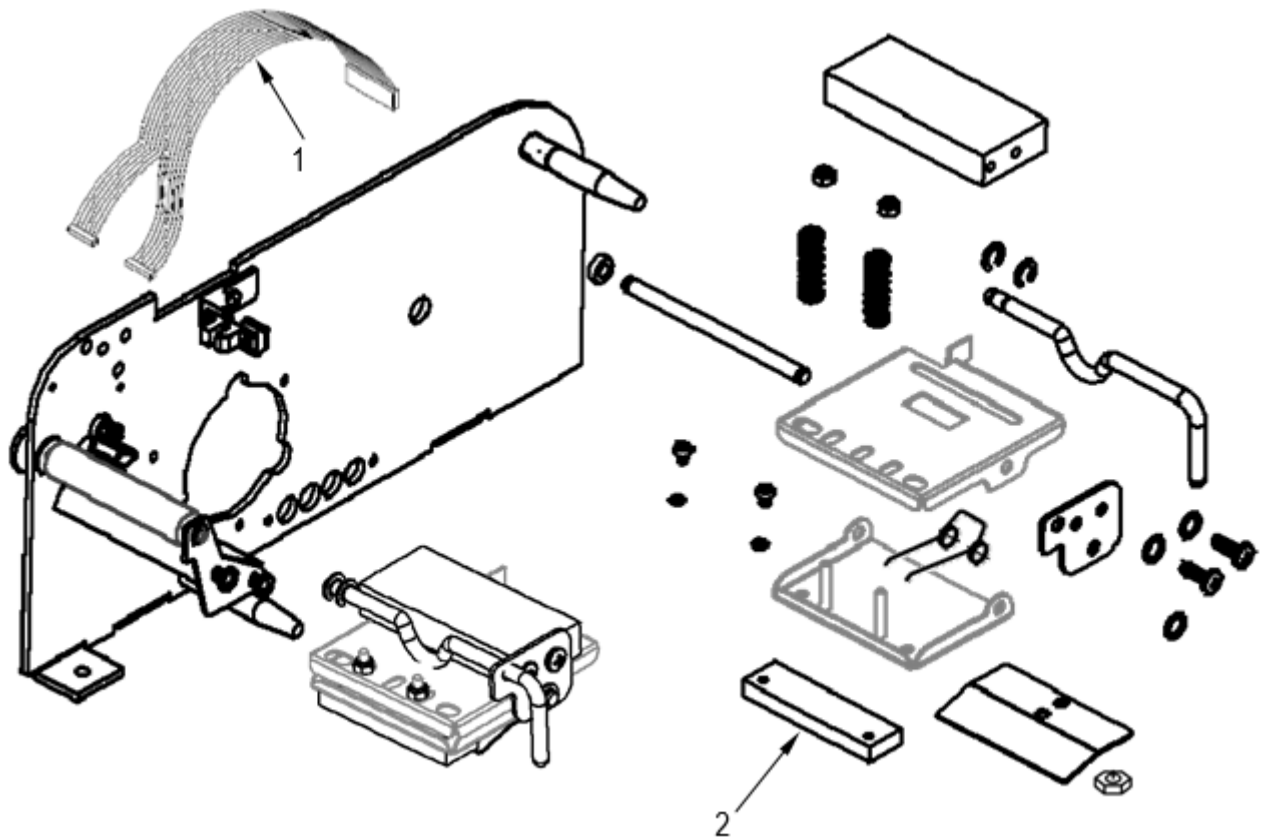
Line: Electronic Scale

Brand: TORREY

Model: WLS-40L

Page 4-13

FROM SERIES: F13-000001





LABELING / PRINTING SCALE

Line: Electronic Scale

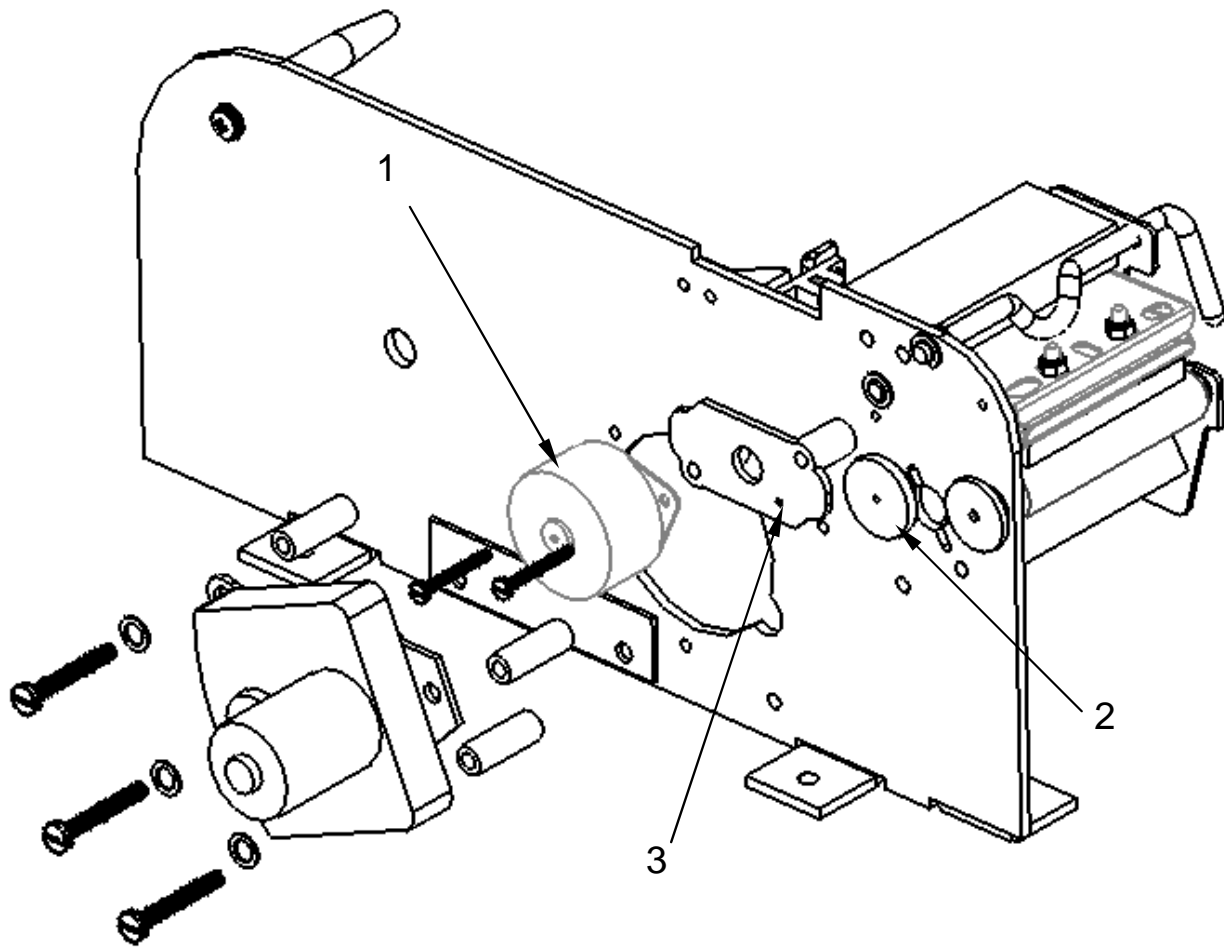
Brand: TORREY

Model: WLS-40L

Page 4-13

| No. | Description | Code |
|-----|------------------------------------|----------|
| 01 | THERMAL HEAD HARNESS LSQ ASSEMBLY. | 46600882 |
| 02 | HEAD FOR THERMAL PRINTER | 21900720 |

FROM SERIES: F13-000001





LABELING / PRINTING SCALE

Line: Electronic Scale

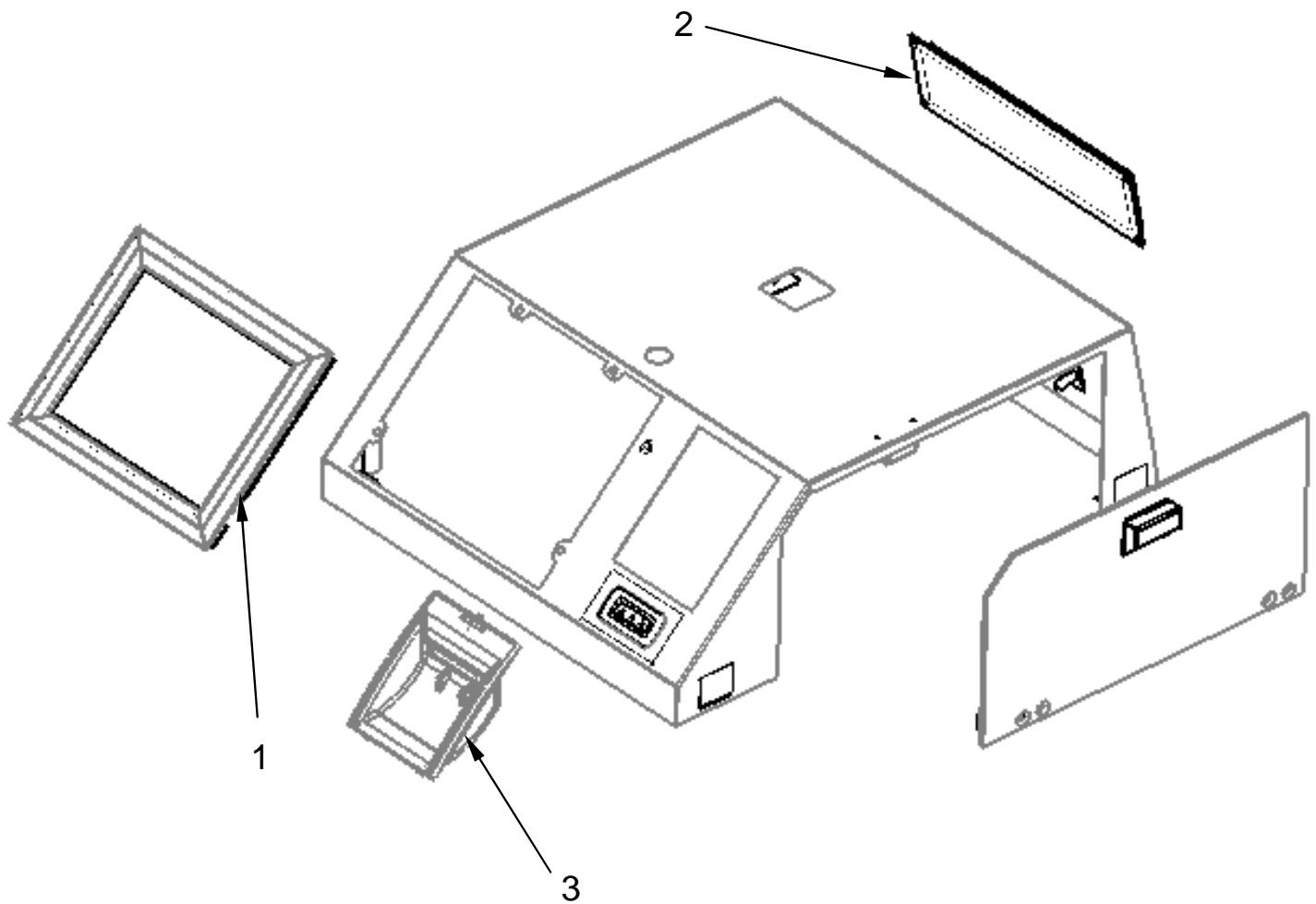
Brand: TORREY

Model: WLS-40L

Page 5-13

| No. | Description | Code |
|-----|---------------------------------------|----------|
| 01 | STEP MOTOR ASSEMBLY | 46600570 |
| 02 | DOUBLE PLASTIC GEAR (29 and 63 TEETH) | 12400073 |
| 03 | STEP MOTOR SOPORT | 22400201 |

FROM SERIES: F13-000001





LABELING / PRINTING SCALE

Line: Electronic Scale

Brand: TORREY

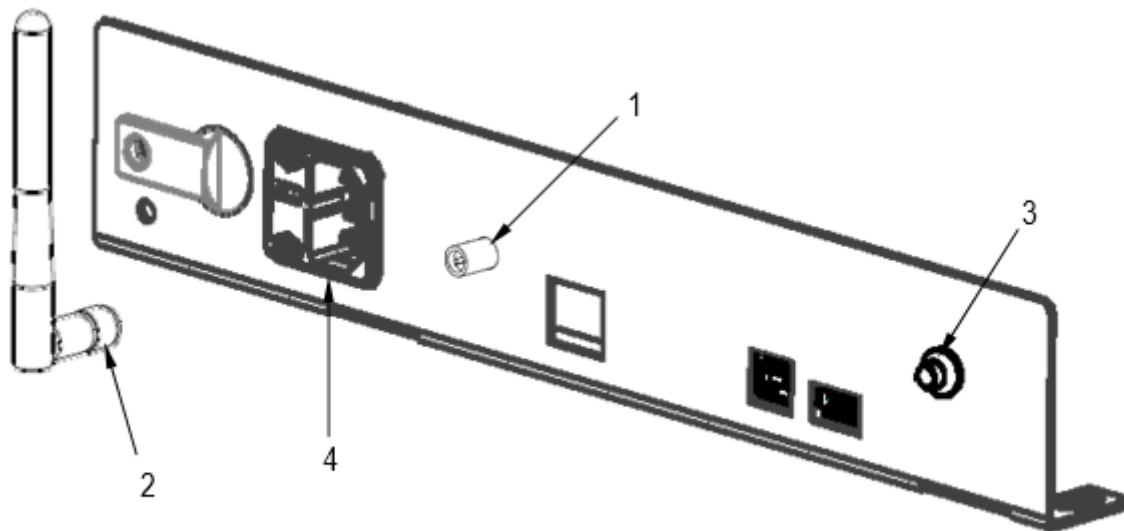
Model: WLS-40L

Page 6-13

| No. | Description | Code |
|-----|--------------------------------------|----------|
| 01 | DISPLAY BOARD TDBCR0 ASSEMBLY. | 46601134 |
| 02 | POSTERIOR DISPLAY ASSEMBLY | 46601160 |
| 03 | PLAST PRINTER COVER | 22400199 |
| 04 | *POSTERIOR HARNESS DISPLAY TLS 74 CM | 21900596 |
| 05 | *HARNESS CABLE FLAT FRONT DISPLAY | 21900854 |

* PART NOT REPRESENTED

A PARTIR DE LAS SERIES: F13-000001





LABELING / PRINTING SCALE

Line: Electronic Scale

Brand: TORREY

Model: WLS-40L

Page 7-13

| No. | Description | Code |
|-----|-------------------------------|----------|
| 01 | SMA R/P JACK WIRELESS HARNESS | 21900597 |
| 02 | EXTERNAL ANTENA WIRELESS | 21900594 |
| 03 | BOTTON POWER HARNESS ASSEMBLY | 46601153 |
| 04 | KEA POWER ENTRY MODULE 10A | 21900851 |
| 05 | *FUSE HOLDER KEA | 21900852 |
| 06 | *FUSE 2A 220V AC | 21900853 |

*PART NOT REPRESENTED