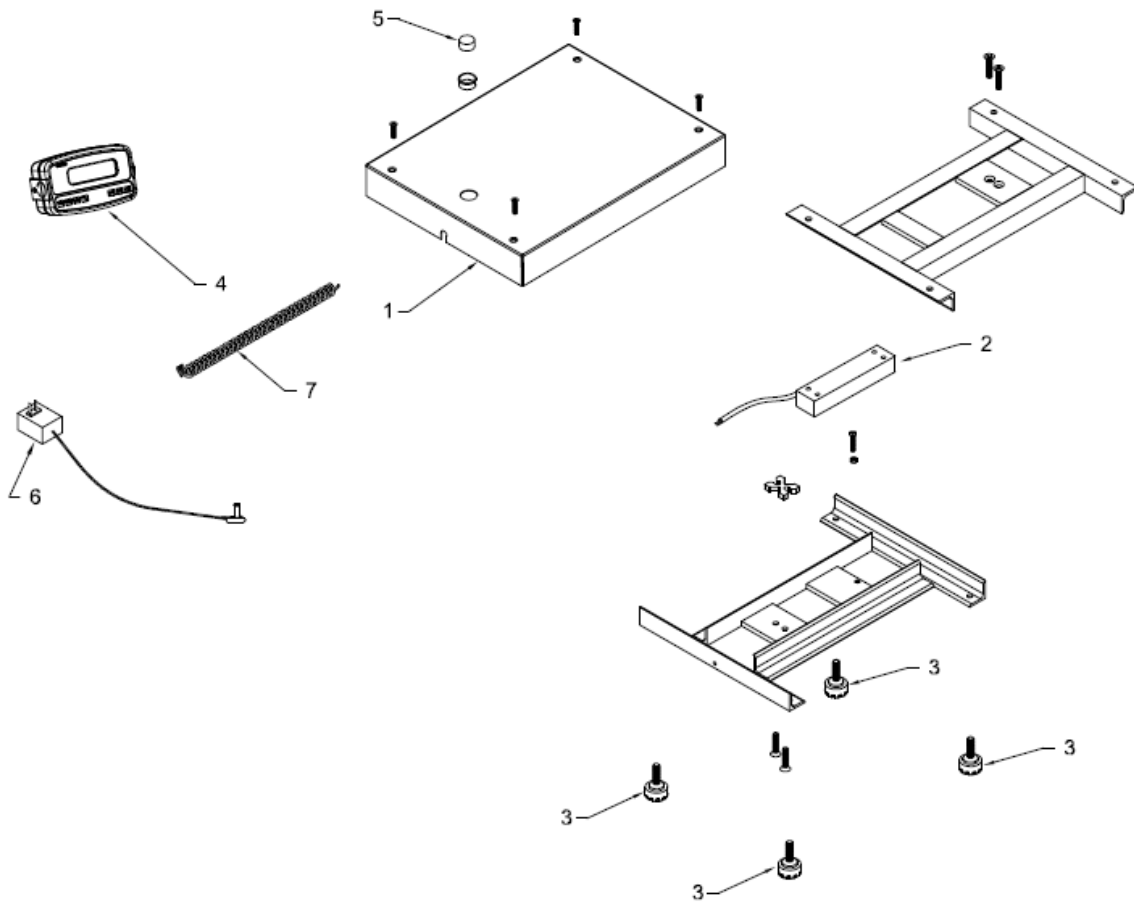


RECEIVING SCALES

Line: Electronic Scale
Brand: TORREY
Model: SR-50/100
Page 1-13

FROM THE SERIAL NUMBER: J11-000786





RECEIVING SCALES

Line: Electronic Scale

Brand: TORREY

Model: SR-50/100

Page 1-13

No.	Description.	Code
01	SR50/100 PAINTED PLATE	B-36500113
02	50 KG 1022 MODEL LOAD CELL ASSEMBLED	B-46600364
03	PCR ROUND LEVELING FEET	B-22400041
04	SR 50/100 MODULE	SEE PAGE 02
05	MOD. "C" 18 mm PLASTIC CIRCULAR LEVEL	B-22400004
06	110V/220V TO 9Vcc 500 mA POWER SUPPLY	B-21900706
07	SPIRAL PHONE CABLE WITH 6P/4C CONNECTOR	B-21900533

RECEIVING SCALES

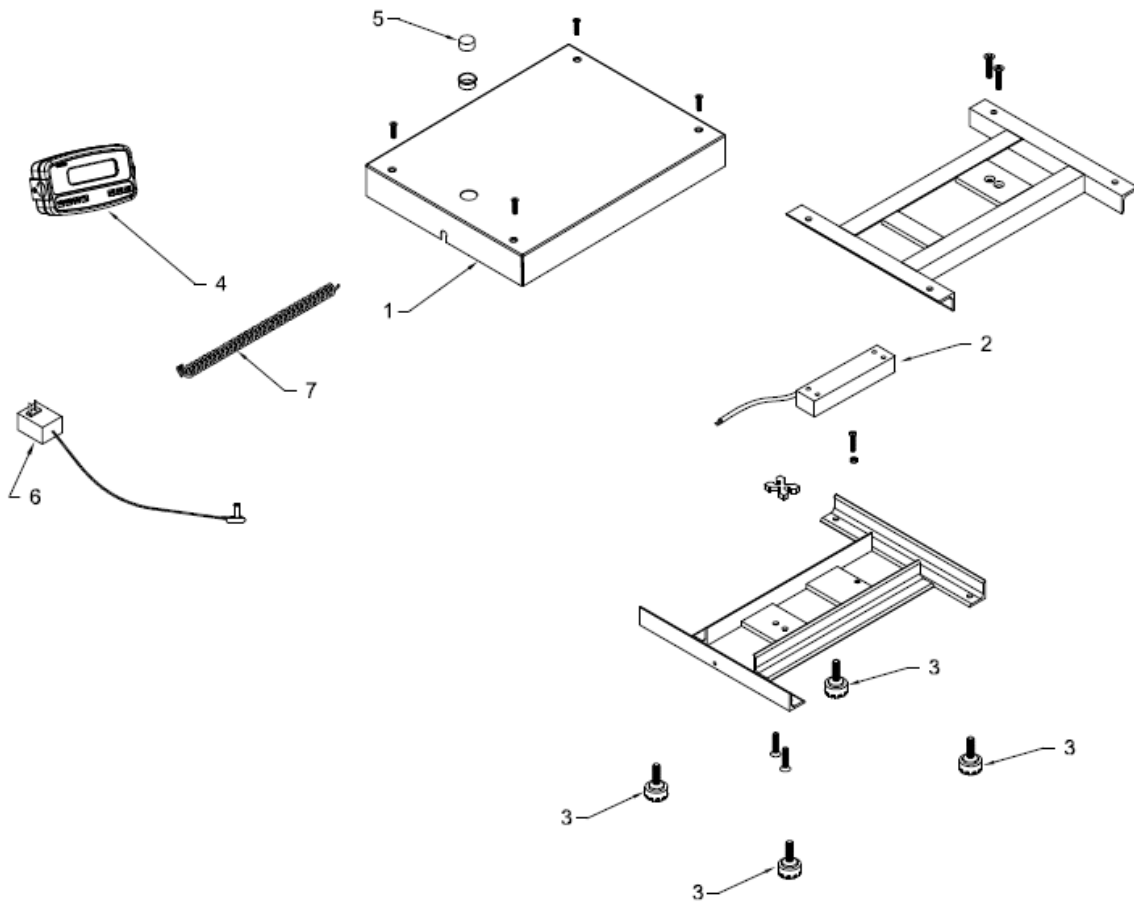
Line: Electronic Scale

Brand: TORREY

Model: SR-50/100

Page 1-18

FROM THE SERIAL NUMBER: A18-000231





RECEIVING SCALES

Line: Electronic Scale

Brand: TORREY

Model: SR-50/100

Page 1-18

No.	Description.	Code
01	SR50/100 PAINTED PLATE	B-36500113
02	50 KG 1022 MODEL LOAD CELL ASSEMBLED	B-46600364
03	PCR ROUND LEVELING FEET	B-22400041
04	SR 50/100 MODULE	SEE PAGE 02
05	CIRCULAR LEVEL WITH PLUG PLASTIC	B-22400536
06	110V/220V TO 9Vcc 500 mA POWER SUPPLY	B-21900706
07	SPIRAL PHONE CABLE WITH 6P/4C CONNECTOR	B-21900533

RECEIVING SCALES

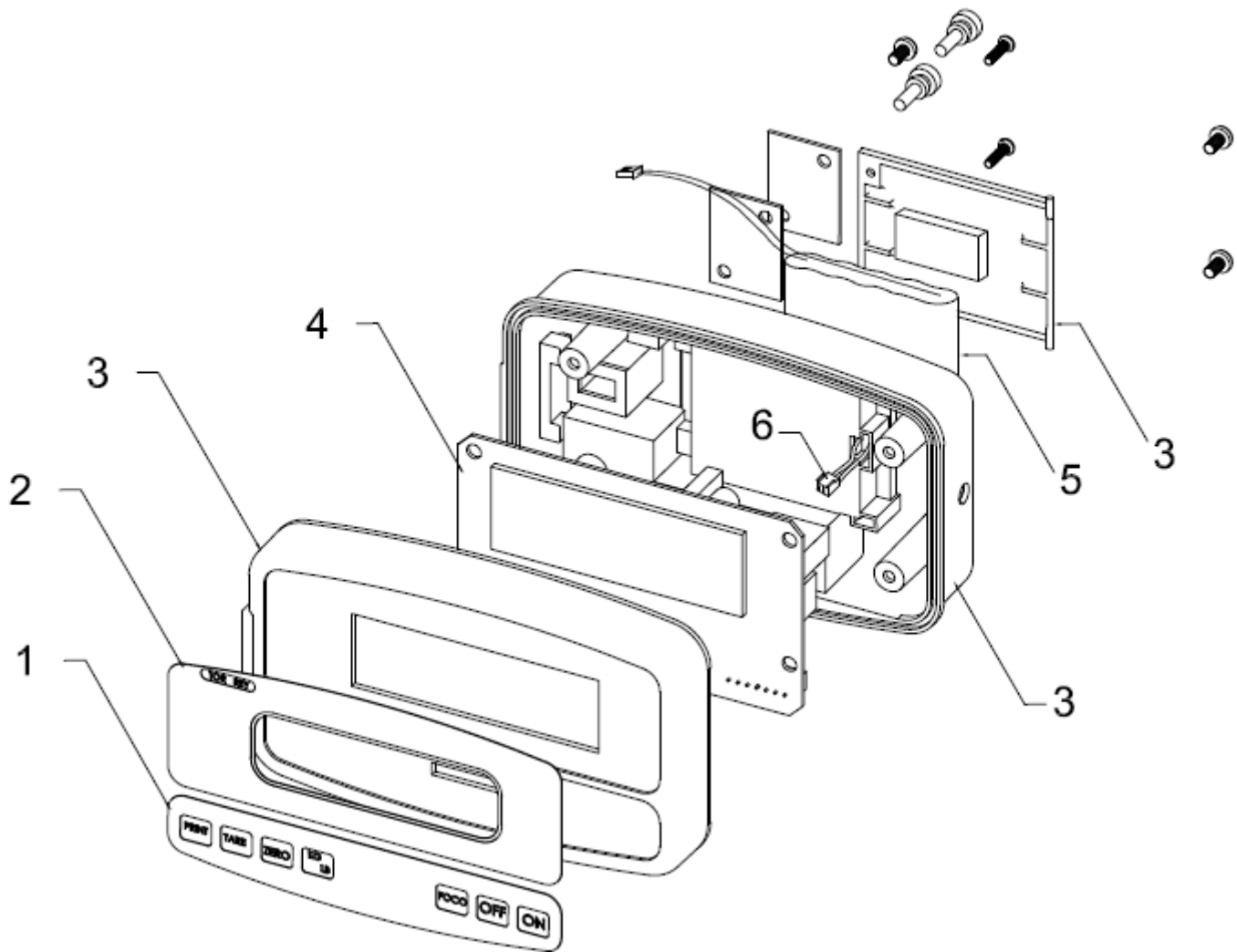
Line: Electronic Scale

Brand: TORREY

Model: SR-50/100

Page 2-13

FROM THE SERIAL NUMBER: J11-000786





RECEIVING SCALES

Line: Electronic Scale

Brand: TORREY

Model: SR-50/100

Page 2-13

No.	Description.	Code
01	WI 3D INDICATOR KEYBOARD	B-20200519
02	SR50/100 WI MODULE OVERLAY	B-23300110
03	WI MODULE KIT (CASE)	B-36700345
04	WI MH MASTER BOARD ASSEMBLED	B-46601075
05	6V 900 [mAh] NIMH BATTERY ASSEMBLED	B-46601077
06	WI MH BATTERY HARNESS ASSEMBLED	B-46601073

RECEIVING SCALES

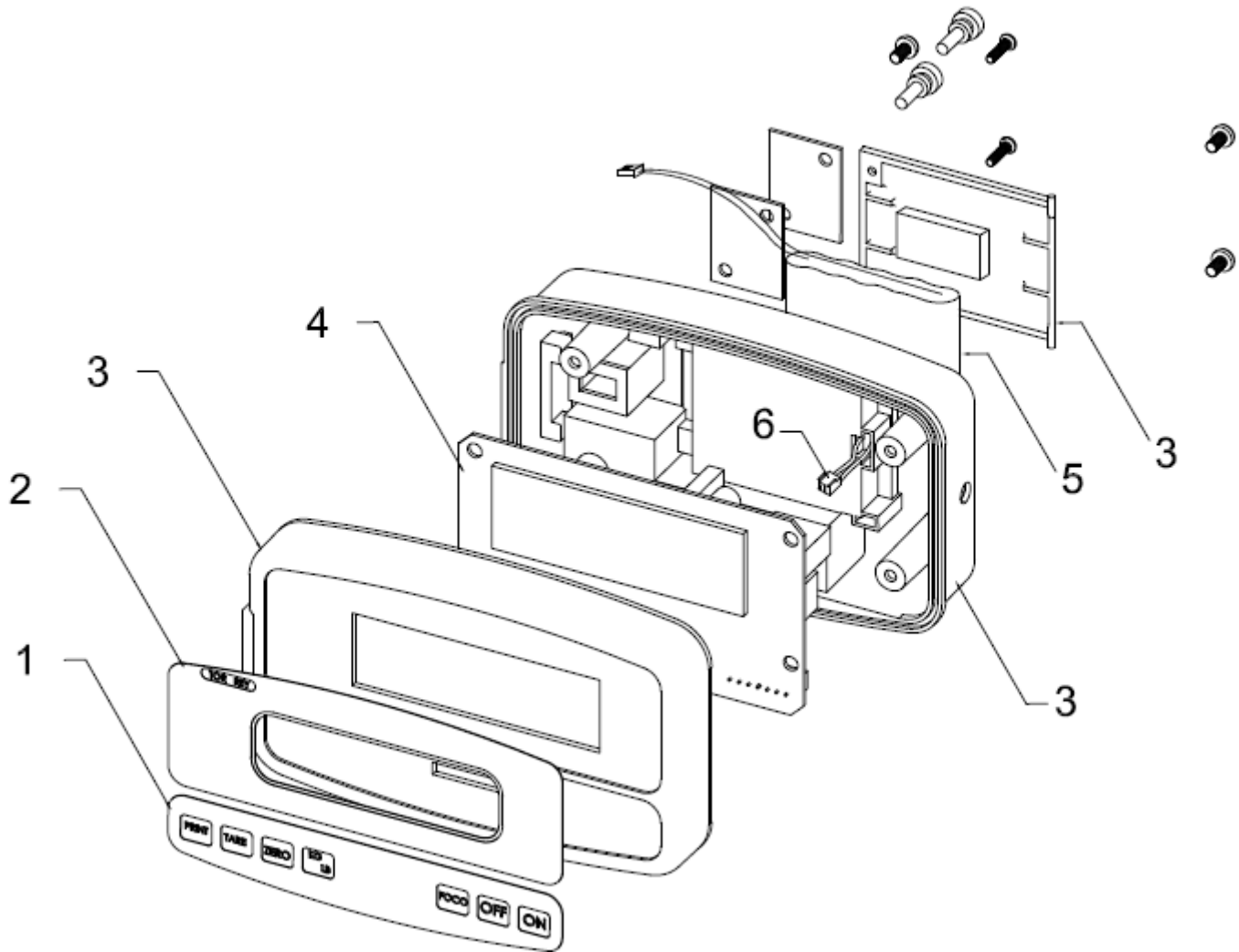
Line: Electronic Scale

Brand: TORREY

Model: SR-50/100

Page 2-18

FROM THE SERIAL NUMBER: A18-000231





RECEIVING SCALES

Line: Electronic Scale

Brand: TORREY

Model: SR-50/100

Page 2-18

No.	Description.	Code
01	WI 3D INDICATOR KEYBOARD	B-20200519
02	SR50/100 WI NL OVERLAY	B-23300521
03	WI MODULE KIT (CASE)	B-36700313
04	TMWISTR5 MASTER BOARD ASSEMBLED	B-46601271
05	6V 950 [mAh] NIMH BATTERY ASSEMBLED	B-21900751
06	WI MH BATTERY HARNESS ASSEMBLED	B-46601073

RECEIVING SCALES

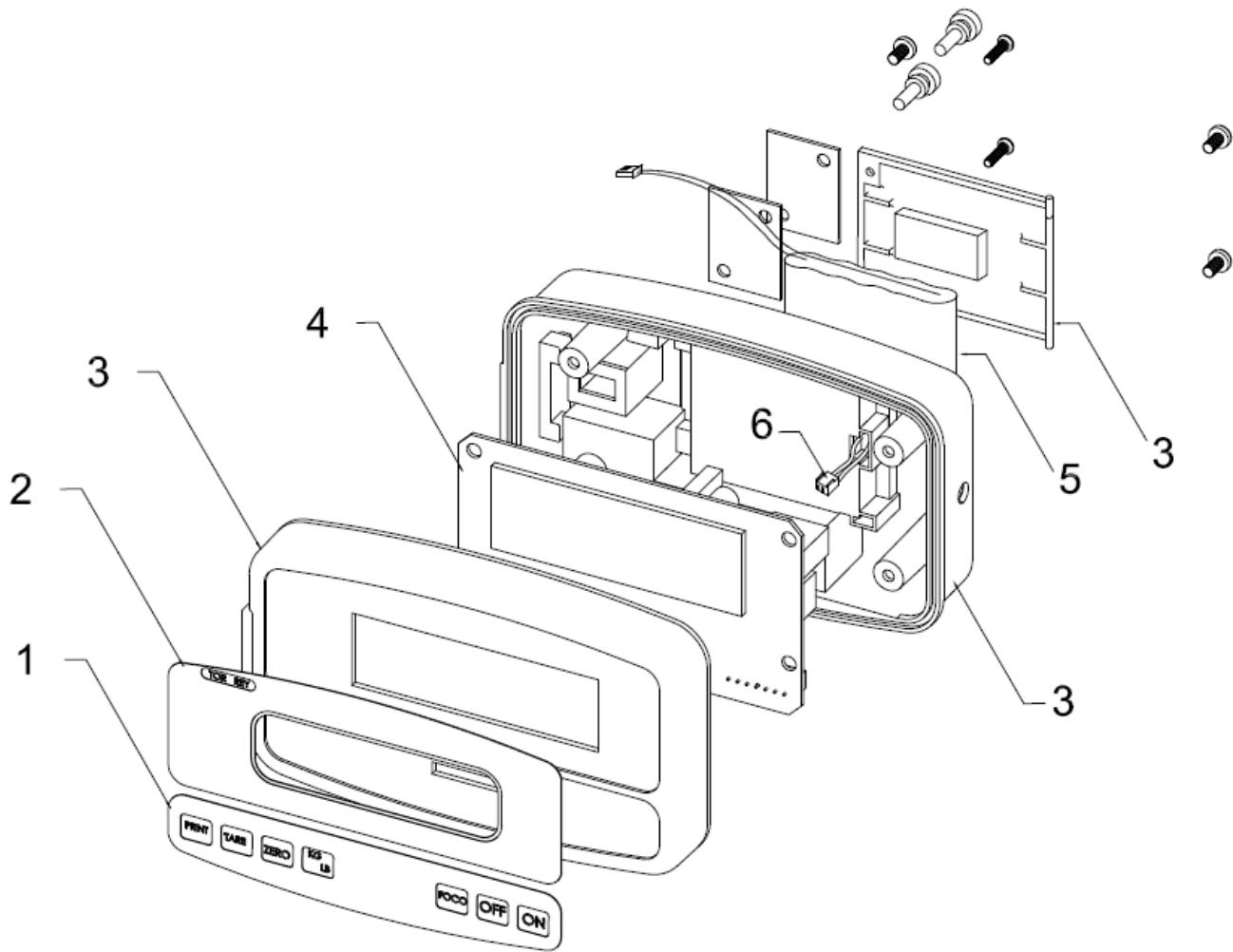
Line: Electronic Scale

Brand: TORREY

Model: SR-50/100

Page 2-13-B

FROM THE SERIAL NUMBER: B13-002080





RECEIVING SCALES

Line: Electronic Scale

Brand: TORREY

Model: SR-50/100

Page 2-13-B

No.	Description.	Code
01	WI 3D INDICATOR KEYBOARD	B-20200519
02	SR50/100 WI MODULE OVERLAY	B-23300110
03	WI MODULE KIT (CASE)	B-36700345
04	TMWISTR0 MASTER BOARD ASSEMBLED	B-46601110
05	6V 900 [mAh] NIMH BATTERY ASSEMBLED	B-46601077
06	WI MH BATTERY HARNESS ASSEMBLED	B-46601073

RECEIVING SCALES

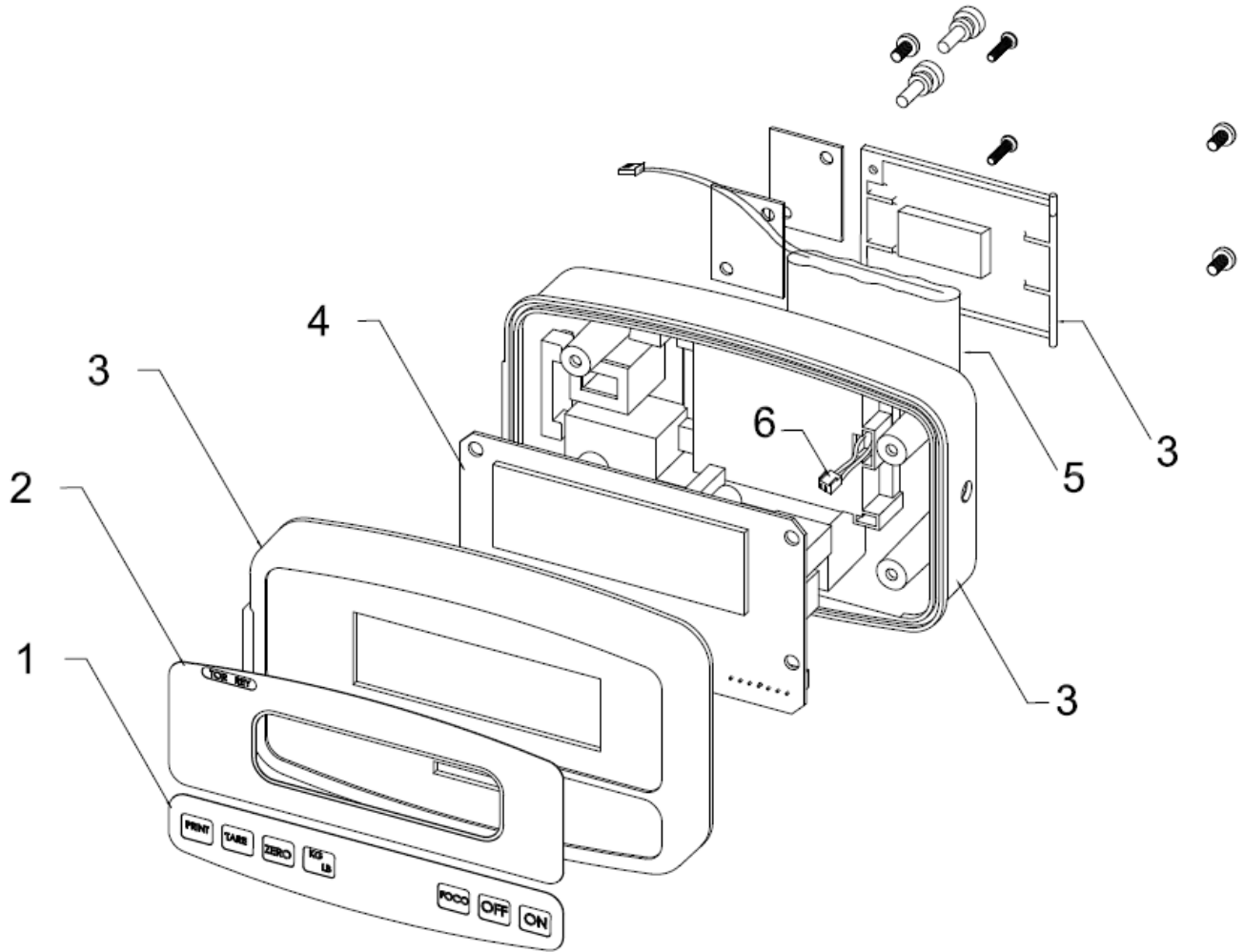
Line: Electronic Scale

Brand: TORREY

Model: SR-50/100

Page 2-18-B

FROM THE SERIAL NUMBER: A18-000231





RECEIVING SCALES

Line: Electronic Scale

Brand: TORREY

Model: SR-50/100

Page 2-18-B

No.	Description.	Code
01	WI 3D INDICATOR KEYBOARD	B-20200519
02	SR50/100 WI NL OVERLAY	B-23300521
03	WI MODULE KIT (CASE)	B-36700313
04	TMWISTR5 MASTER BOARD ASSEMBLED	B-46601271
05	6V 900 [mAh] NIMH BATTERY ASSEMBLED	B-46601077
06	WI MH BATTERY HARNESS ASSEMBLED	B-46601073