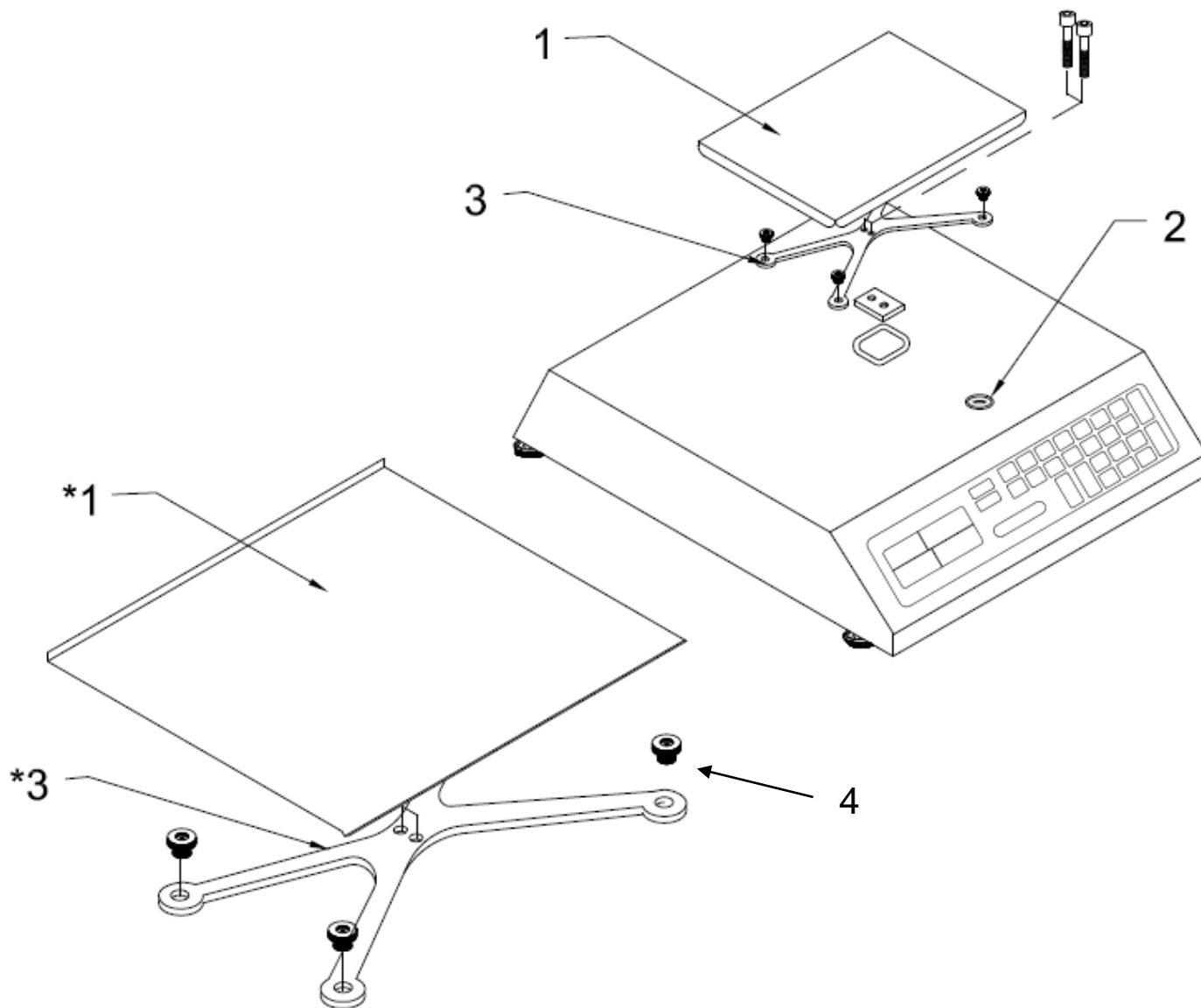


FROM THE SERIAL NUMBER: A11-000011 (QC5L)  
A11-000001 (QC40L)

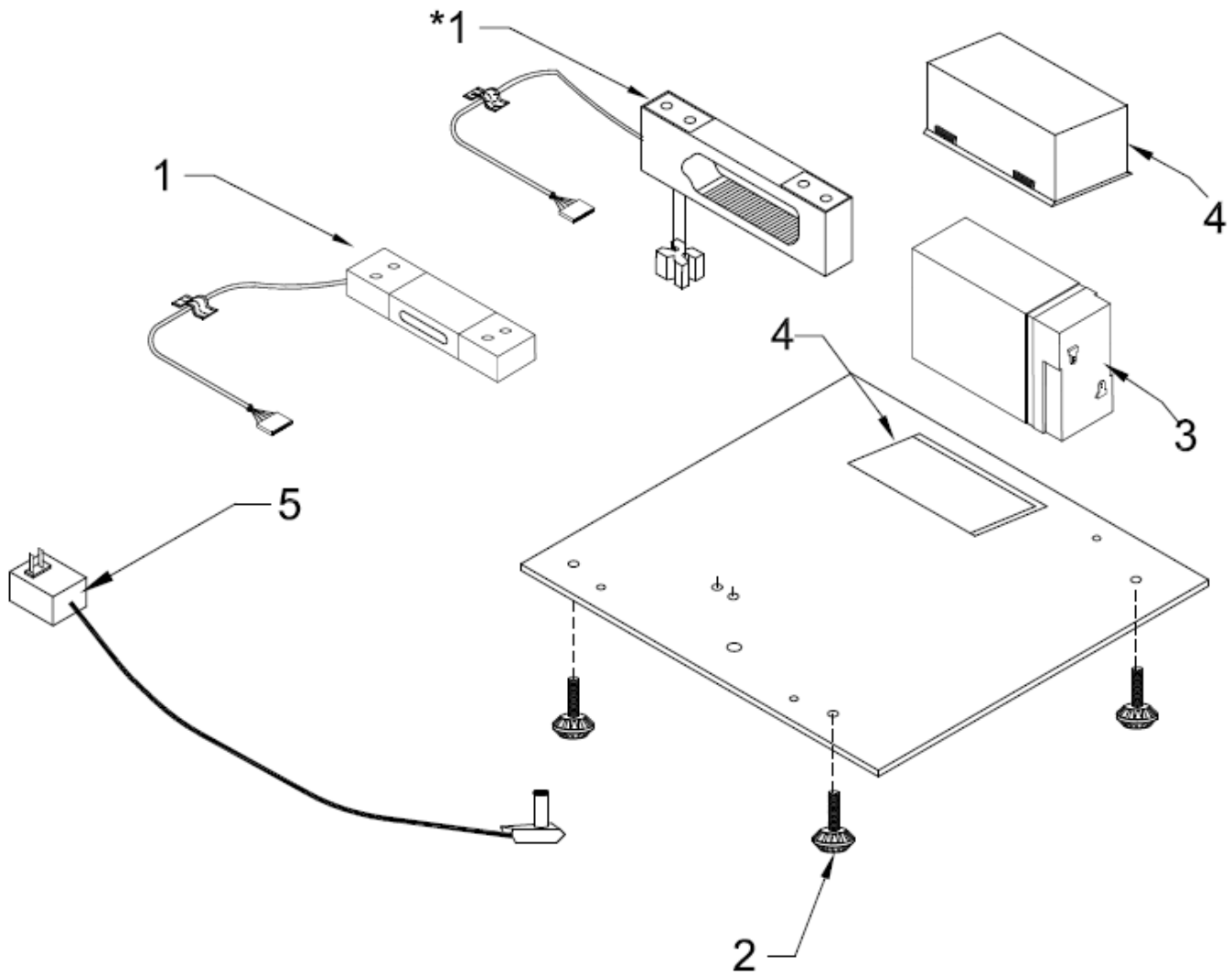


| No. | Description.                       | Code       |
|-----|------------------------------------|------------|
| 01  | QC5/10 PLATE W/BOLTS               | B-56300062 |
| 02  | PLASTIC CIRCUILAR LEVEL            | B-22400536 |
| 03  | PS5 PLASTIC PLATE HOLDER ASSEMBLED | B-36700114 |
| 04  | HOLE PLUG 0.625" (MP-0625)         | B-12400221 |

FOR THE QC40L MODEL:

| No. | Description.             | Code       |
|-----|--------------------------|------------|
| 01  | PCR20 C.20 PLATE W/BOLTS | B-56300257 |
| 03  | MFQ PLATE HOLDER         | B-36700067 |

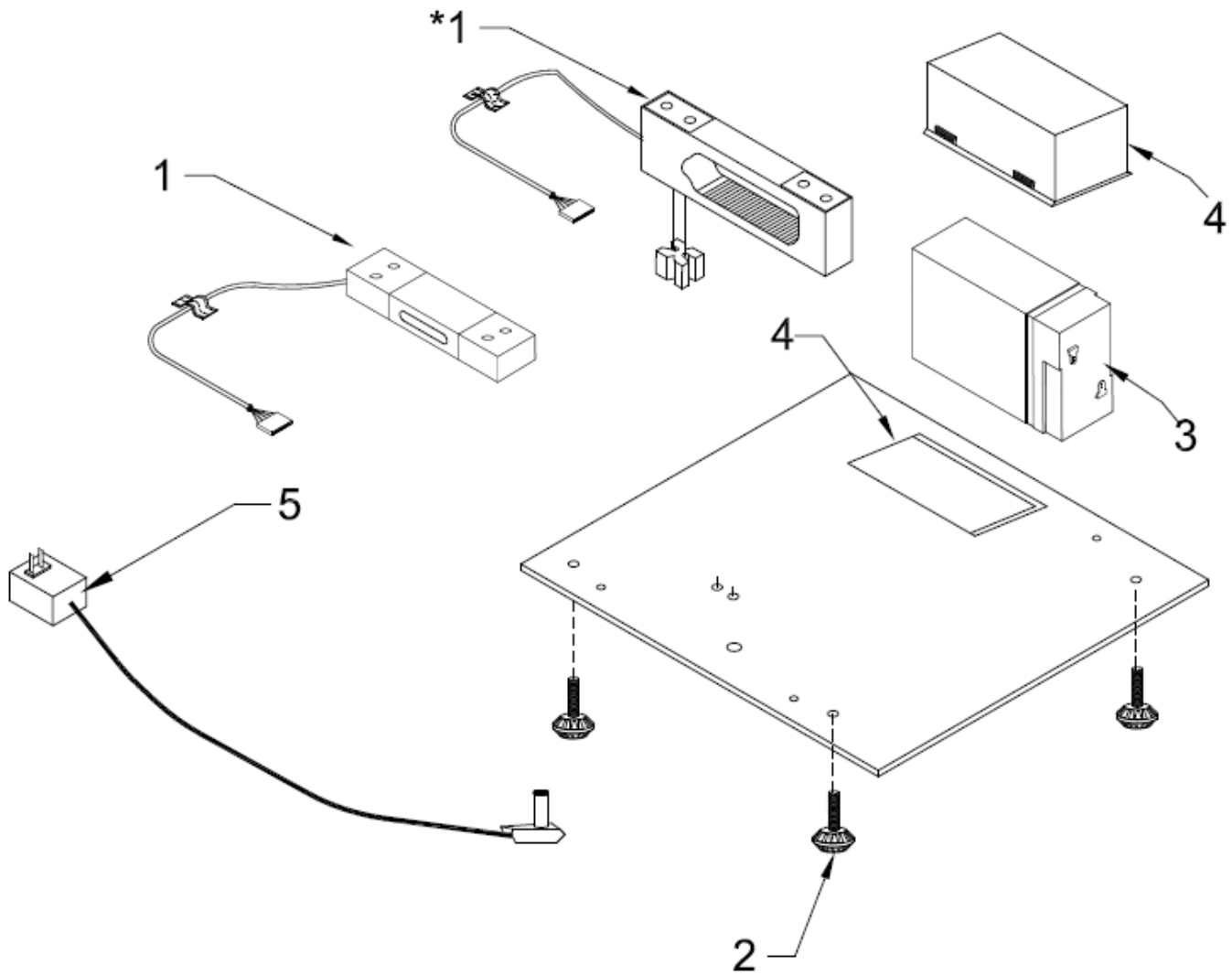
FROM THE SERIAL NUMBER: A11-000011 (QC5L)  
A11-000001 (QC40L)



| No. | Description.                           | Code       |
|-----|--|------------|
| 01  | 5KG 1022 MODEL LOAD CELL ASSEMBLED     | B-46600063 |
| 01  | *20 KG 1042 MODEL LOAD CELL ASSEMBLED* | B-46600360 |
| 02  | PCR ROUND LEVELING FEET                | B-22400041 |
| 03  | 6V 2.5 AH BATTERY                      | B-21900490 |
| 04  | SNAP BOX KIT                           | B-36700349 |
| 05  | 110/220V TO 9Vcc 500mA POWER SUPPLY    | B-21900706 |

\* ONLY FOR THE QC40L MODEL:

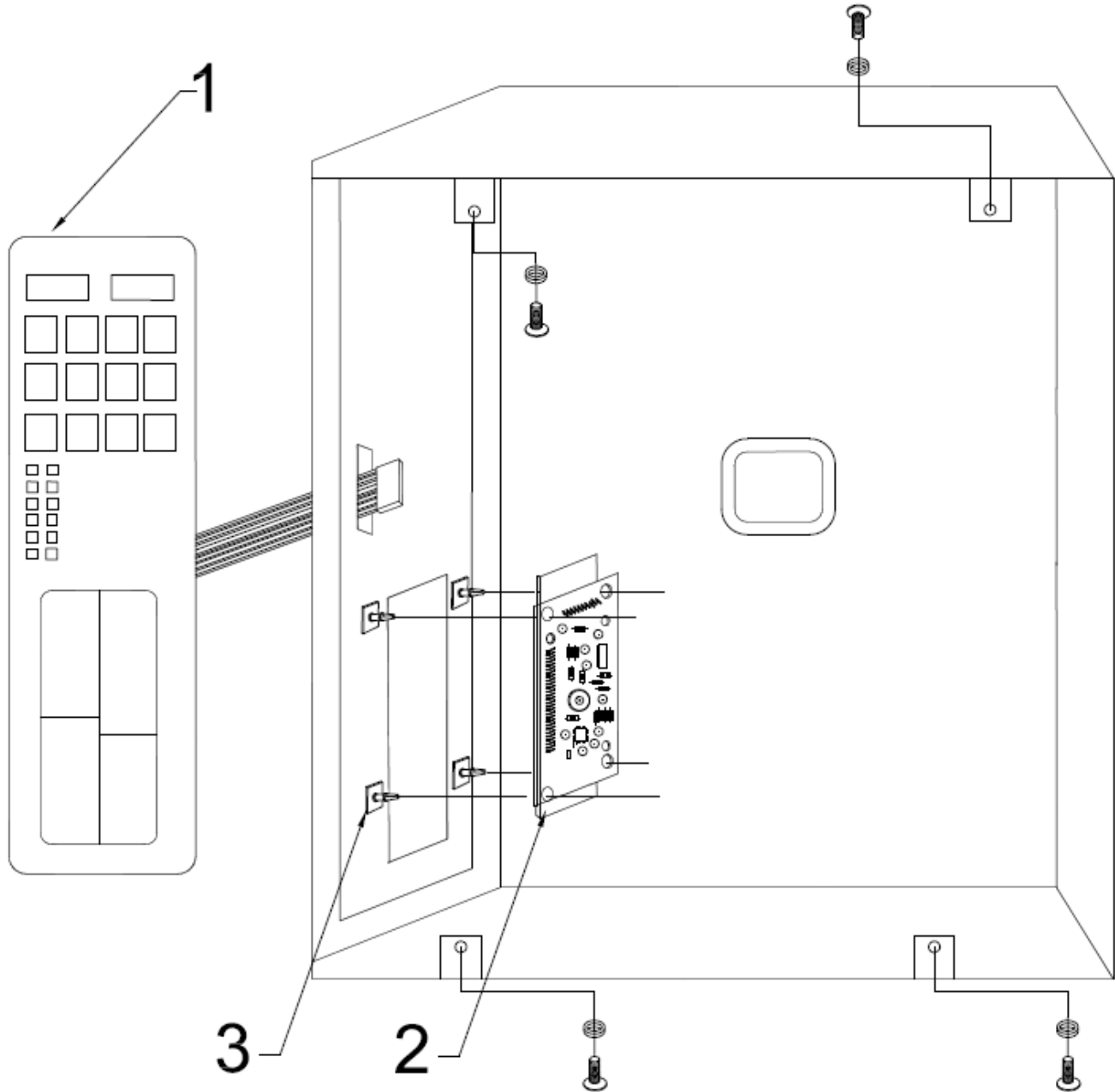
FROM THE SERIAL NUMBER: A18-000XXX (QC5L)  
A18-000XXX (QC40L)



| No. | Description.                                    | Code       |
|-----|---|------------|
| 01  | 5KG 1022 MODEL LOAD CELL WITH FERRITE ASSEMBLED | B-46601030 |
| 01  | * 20 KG 1042 QC MODEL LOAD CELL ASSEMBLED*      | B-46600831 |
| 02  | PCR ROUND LEVELING FEET                         | B-22400041 |
| 03  | 6V 2.5 AH BATTERY                               | B-21900490 |
| 04  | CAJA DE BATERIA SNAP                            | B-22400042 |
| 04  | PUERTA CAJA DE BATERIA SNAP                     | B-22400043 |
| 05  | 110/220V TO 9Vcc 500mA POWER SUPPLY             | B-21900706 |

\* ONLY FOR THE QC40L MODEL:

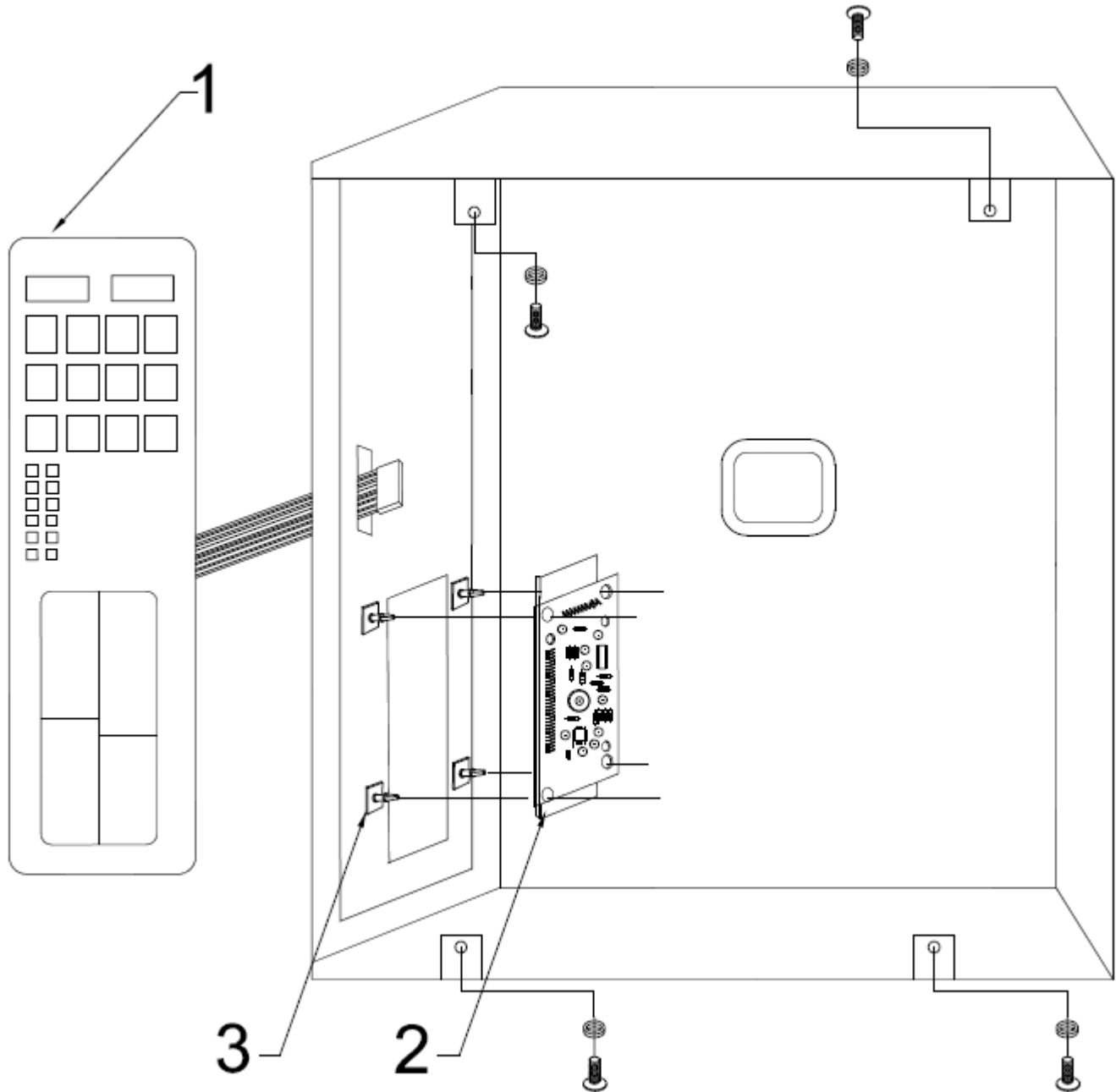
FROM THE SERIAL NUMBER: A11-000011 (QC5L)  
A11-000001 (QC40L)



| No. | Description.                   | Code       |
|-----|--------------------------------|------------|
| 01  | REL. Ø QC KEYBOARD             | B-20200119 |
| 02  | TMQCSRØ MASTER BOARD ASSEMBLED | B-46600827 |
| 03  | PINGOOD BOARD HOLDER           | B-12400118 |



FROM THE SERIAL NUMBER: F15-000134 (QC5L)  
F15-000290 (QC40L)





## COUTING SCALE

Line: Electronic Scale

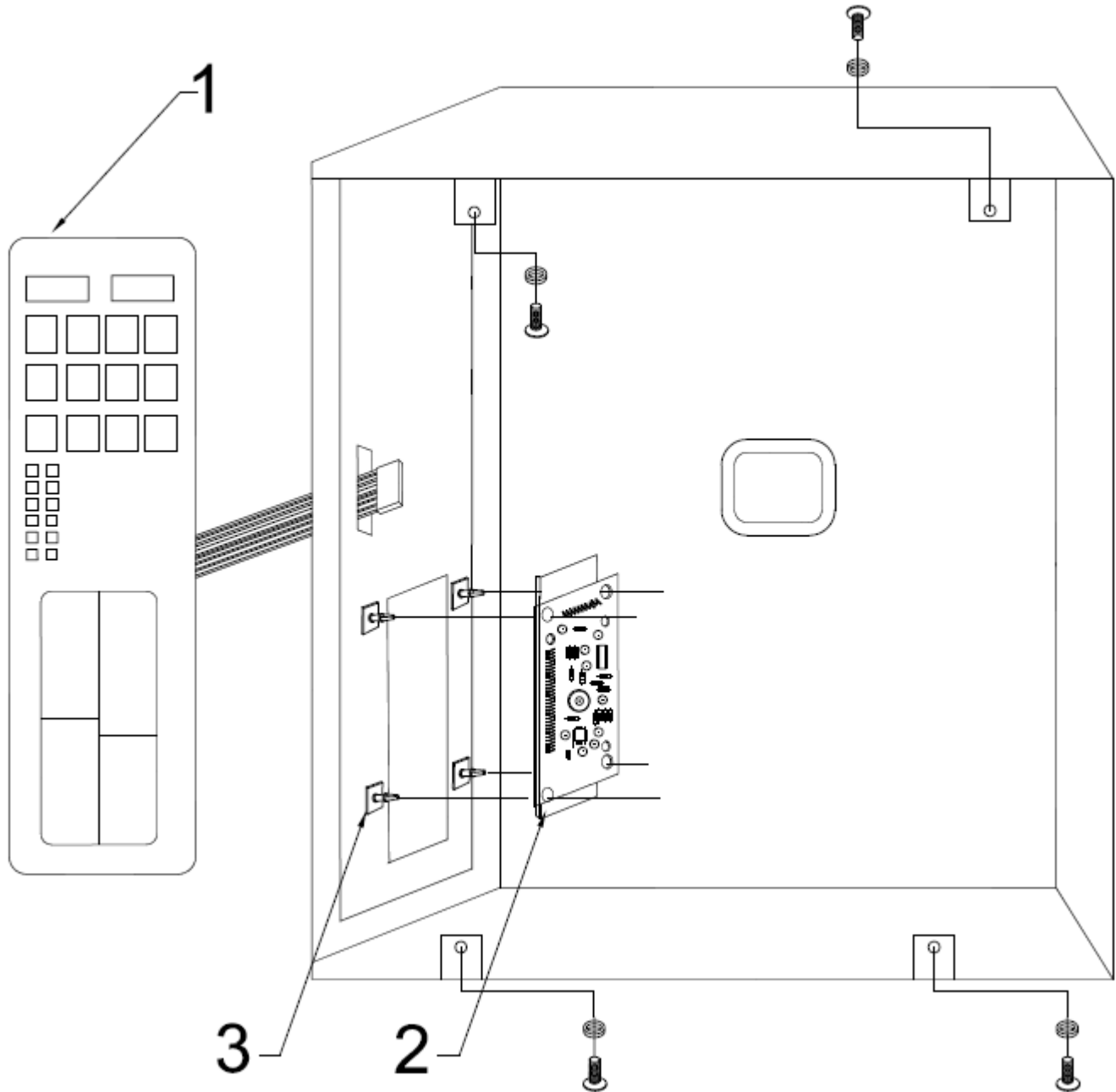
Brand: TORREY

Model: QC-5/10 , QC-20/40

Page 3-15

| No. | Description.                      | Code       |
|-----|-----------------------------------|------------|
| 01  | REL. Ø QC KEYBOARD                | B-20200119 |
| 02  | MASTER BOARD TMPPTLEQR2 ASSEMBLED | B-46601232 |
| 03  | PINGOOD BOARD HOLDER              | B-12400118 |

FROM THE SERIAL NUMBER: A18-000XXX (QC5L)  
A18-000XXX (QC40L)



| No. | Description.                      | Code       |
|-----|-----------------------------------|------------|
| 01  | KEYBOARD QC. NL RØ                | B-20200584 |
| 02  | MASTER BOARD TMPPTLEQR2 ASSEMBLED | B-46601232 |
| 03  | PINGOOD BOARD HOLDER              | B-12400118 |