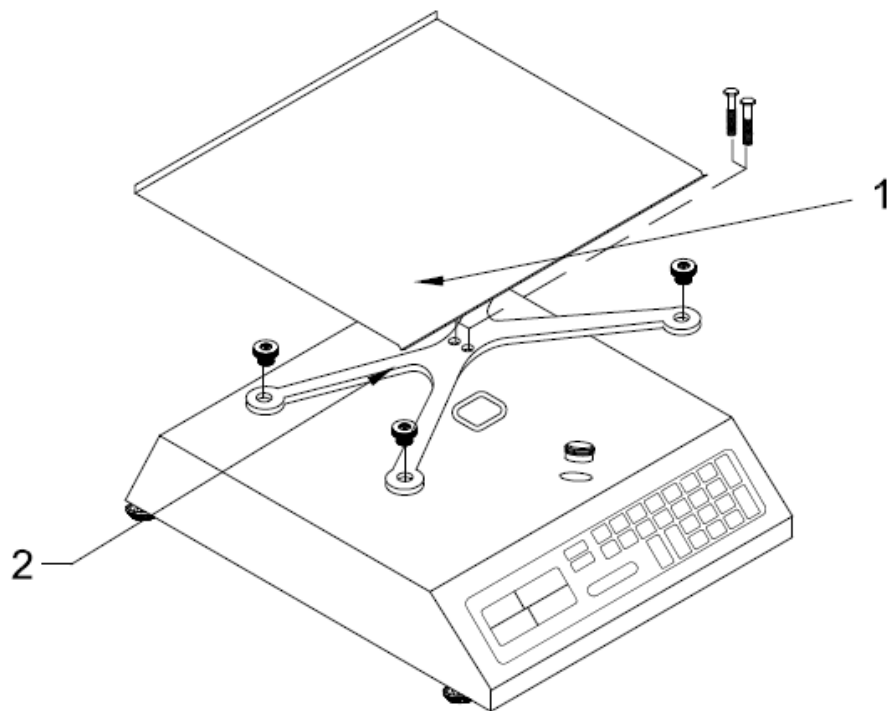


# COMERCIAL SCALE

Line: Electronic Scale  
Brand: TORREY  
Model: PC40L , PC80L  
Page 1-15

FROM THE SERIAL NUMBER: C15-00826 (PC40L)  
C15-00XXX (PC80L)





## COMERCIAL SCALE

Line: Electronic Scale

Brand: TORREY

Model: PC40L , PC80L

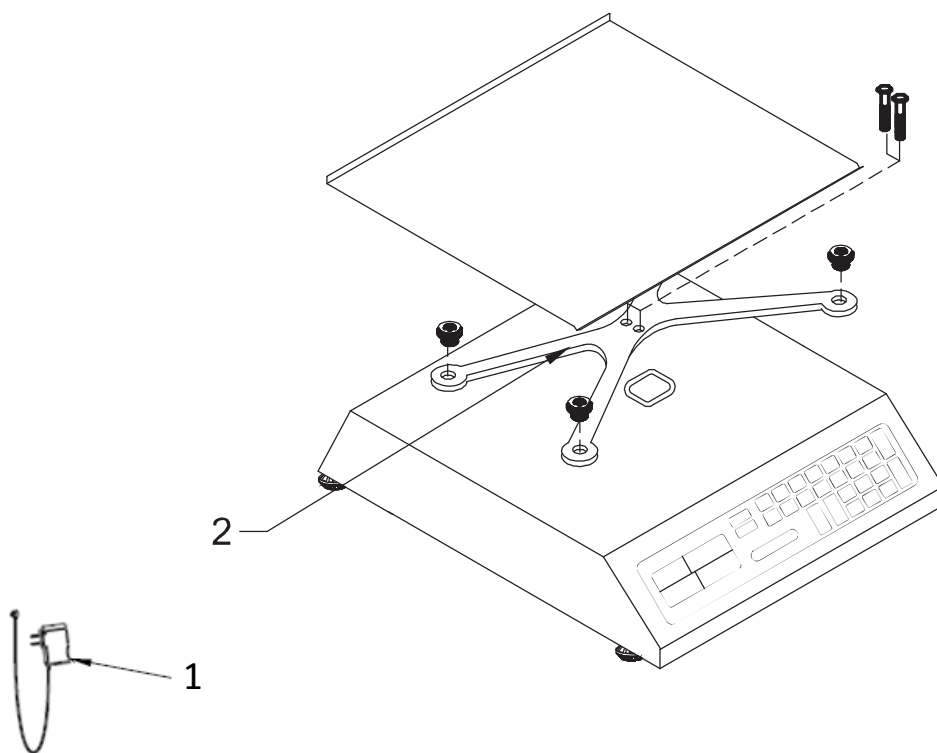
Page 1-15

No.	Description.	Code
01	PCR20 PLATE CAUGE 20 WITH BOLTS	56300257
02	MFQ N PLATE HOLDER ASSEMBLED	36700114

# COMERCIAL SCALE

Line: Electronic Scale  
Brand: TORREY  
Model: PC40L , PC80L  
Page 1-18

FROM THE SERIAL NUMBER: G18-000101 (PC40L)  
G18-000101 (PC80L)





## COMERCIAL SCALE

Line: Electronic Scale

Brand: TORREY

Model: PC40L , PC80L

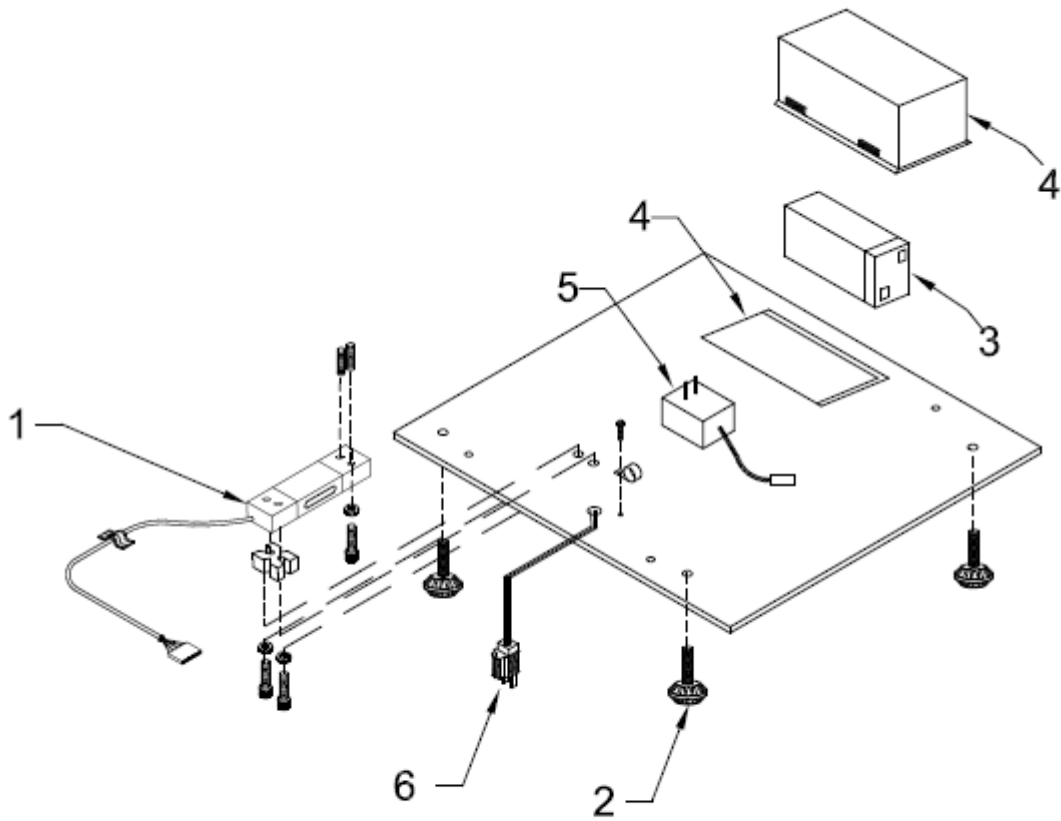
Page 1-18

No.	Description.	Code
01	AC/DC POWER SUPPLY 110V/220V 6Vcc	21900978
02	MFQ ALUMINIUM PLATE HOLDER	36700067

# COMERCIAL SCALE

Line: Electronic Scale  
Brand: TORREY  
Model: PC40L , PC80L  
Page 2-15

FROM THE SERIAL NUMBER: G15-00826 (PC40L)  
G15-00XXX (PC80L)





## COMERCIAL SCALE

Line: Electronic Scale

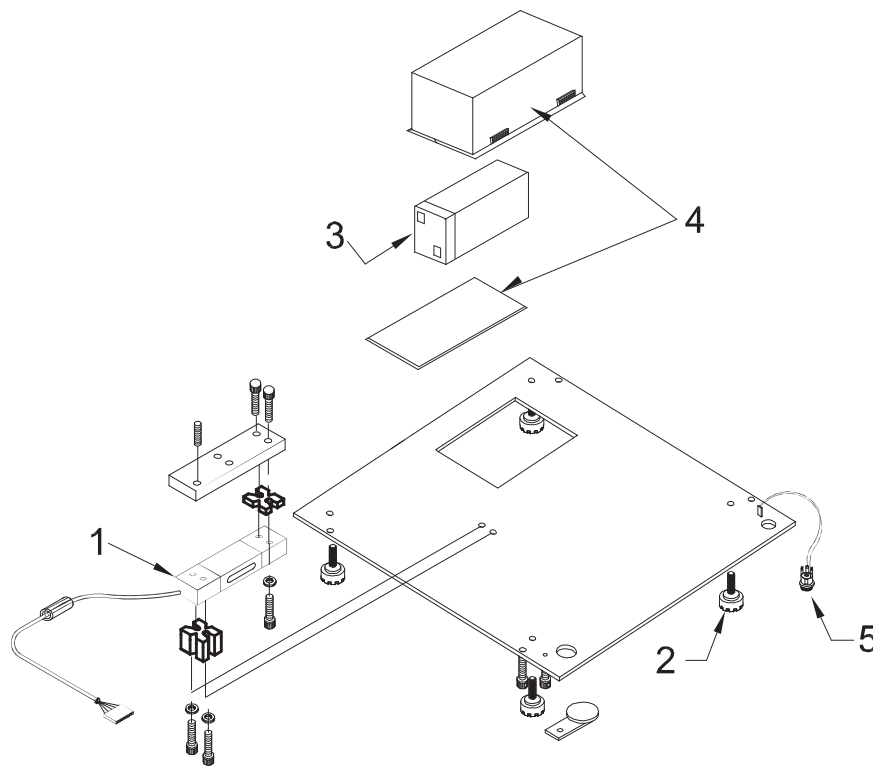
Brand: TORREY

Model: PC40L , PC80L

Page 2-15

No.	Description.	Code
01	20KG LOAD CELL MOD, 1022	46600673
02	CIRCULAR LEVELING BASE PCR	22400041
03	RECHARGEABLE BATTERY 6V 4.5 AH	21900003
04	BOX SNAP KIT	36700349
05	SWITCHING BOARD ASSEM.	46601063
06	CABLE DUPLEX 110 ASSEM.	46601062

FROM THE SERIAL NUMBER: G18-000101 (PC40L)  
G18-000101 (PC80L)



## COMERCIAL SCALE

Line: Electronic Scale

Brand: TORREY

Model: PC40L , PC80L

Page 2-18

No.	Description.	Code
01	20KG LOAD CELL M022 USA NO POL ASSEMBLED	46600964
02	CIRCULAR LEVELING BASE PCR	22400041
03	BATTERY 4V 2.5 AH	21900926
04	SNAP BOX KIT	36700349
05	JACK 38 CM NO POL ASSEMBLED	46600717

FOR THE PC80L MODEL:

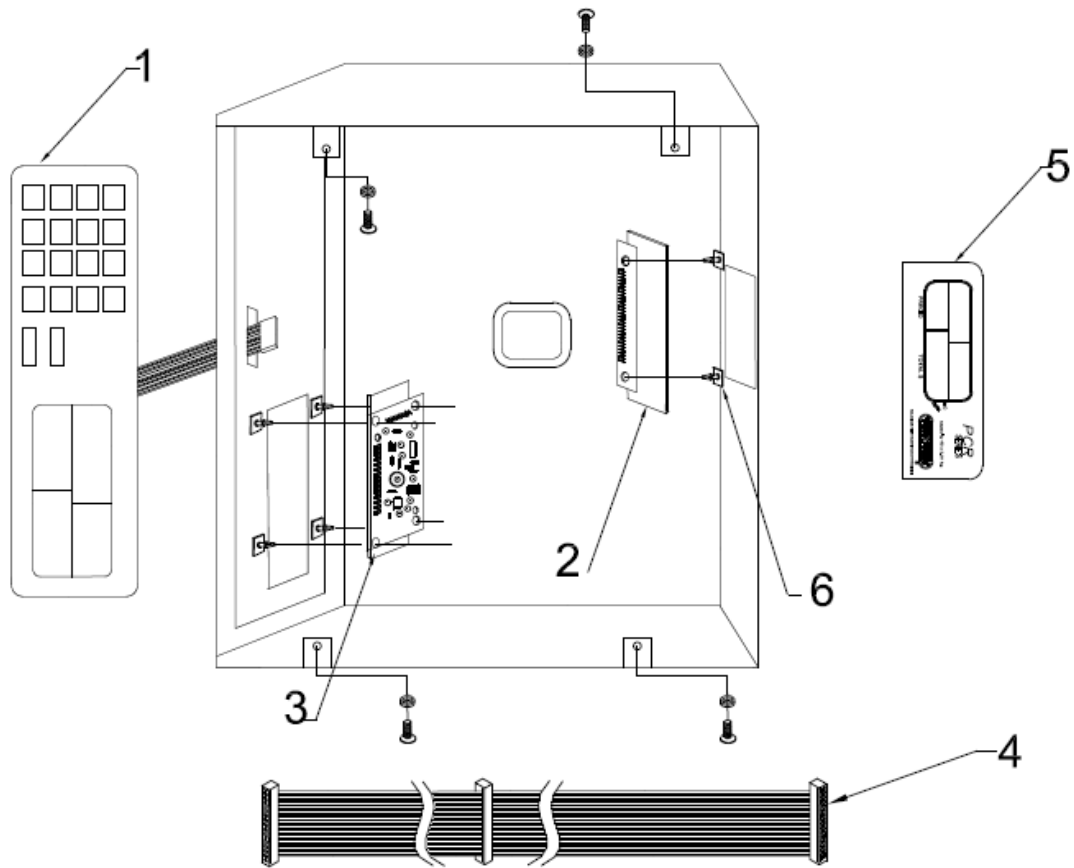
No.	Description.	Code
01	LOAD CELL 40KG FAIRRITE ASSEMBLED	46600695
02	THREADED JACK LPCR40 ASSEMBLED	46601093



# COMERCIAL SCALE

Line: Electronic Scale  
Brand: TORREY  
Model: PC40L , PC80L  
Page 3-15

FROM THE SERIAL NUMBER: C15-000826 (PC40L)  
C15-00XXX (PC80L)





## COMERCIAL SCALE

Line: Electronic Scale

Brand: TORREY

Model: PC40L , PC80L

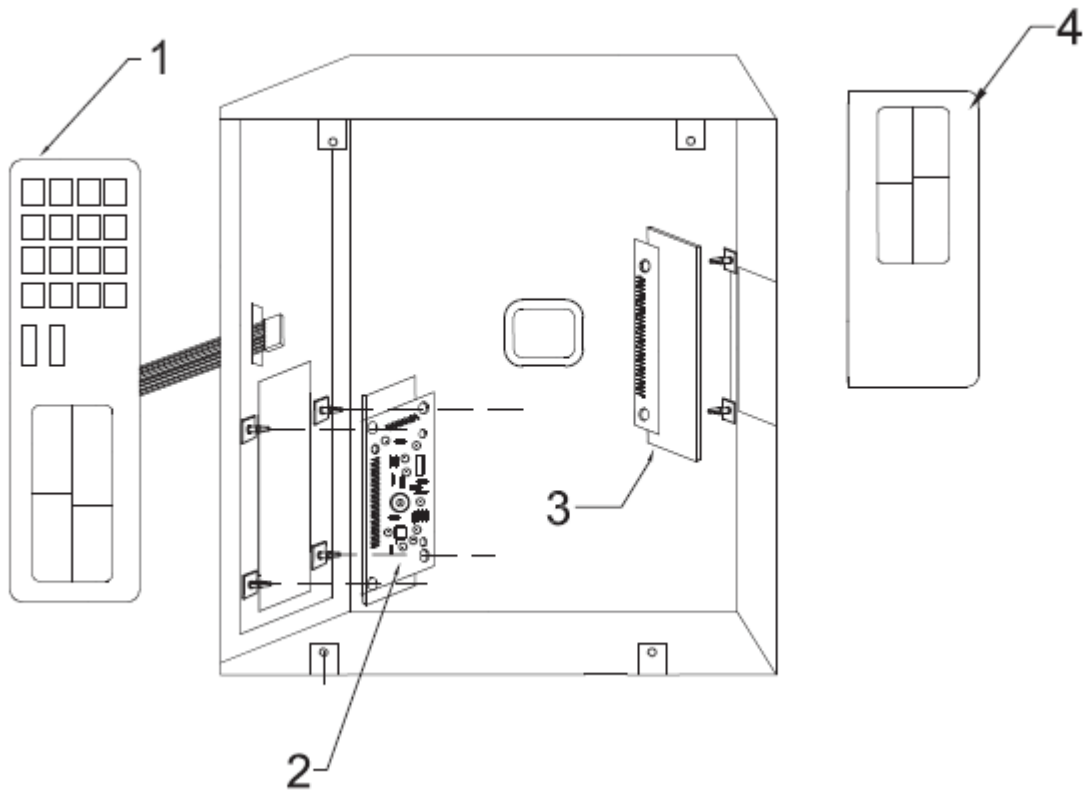
Page 3-15

No.	Description.	Code
01	KEYBOARD PCR C/BACKLIGHT REV. 0	20200128
02	BACK TD C/BL F- TEC ASSEMBLED	46600777
03	TM TMPPTLEQR2 (PCR) ASSEMBLED	46601202
04	PCR FLAT (21 in) HARNESS	21900472
05	OVERLAY (CALCOM ) PCR-20 (PESK 188)	21900405
06	PINGOOD BOARD HOLDER	12400118

# COMERCIAL SCALE

Line: Electronic Scale  
Brand: TORREY  
Model: PC40L , PC80L  
Page 3-18

FROM THE SERIAL NUMBER: G18-000101(PC40L)  
G18-000101 (PC80L)



## COMERCIAL SCALE

Line: Electronic Scale

Brand: TORREY

Model: PC40L , PC80L

Page 3-18

No.	Description.	Code
01	MEMBRANE SWITCH PC 0.01 DIV NL	20200582
02	TMPPTSER MASTER BOARD ASSEMBLED	46601337
03	DIGITS BACK BOARD C/BL F-TEC ASSEMBLED	46601311
04	OVERLAY PC-40L NL R0	23300523

### FOR THE PC80L MODEL:

No.	Description.	Code
01	MEMBRANE SWITCH PC 0.02 DIV NL	23300583
02	OVERLAY PC-80L NL R0	23300520