

COMERCIAL SCALE

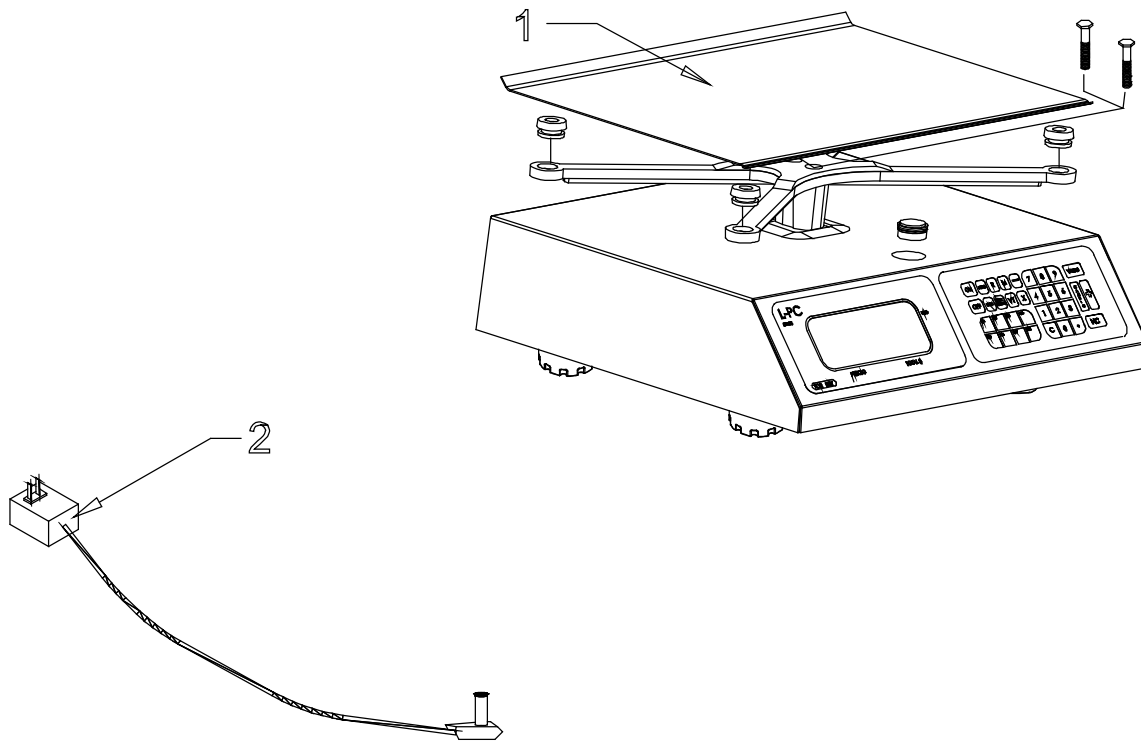
Line: Electronic Scale

Brand: TORREY

Model: LPC40L

Page 1-13

FROM THE SERIAL NUMBER: H12-011242





COMERCIAL SCALE

Line: Electronic Scale

Brand: TORREY

Model: LPC40L

Page 1-13

No.	Description.	Code
01	L-PCR20 C.20 PLATE W/BOLTS	56300302
02	POWER SUPPLY 110V/220V 9Vcc 500mA SPT	21900706

COMERCIAL SCALE

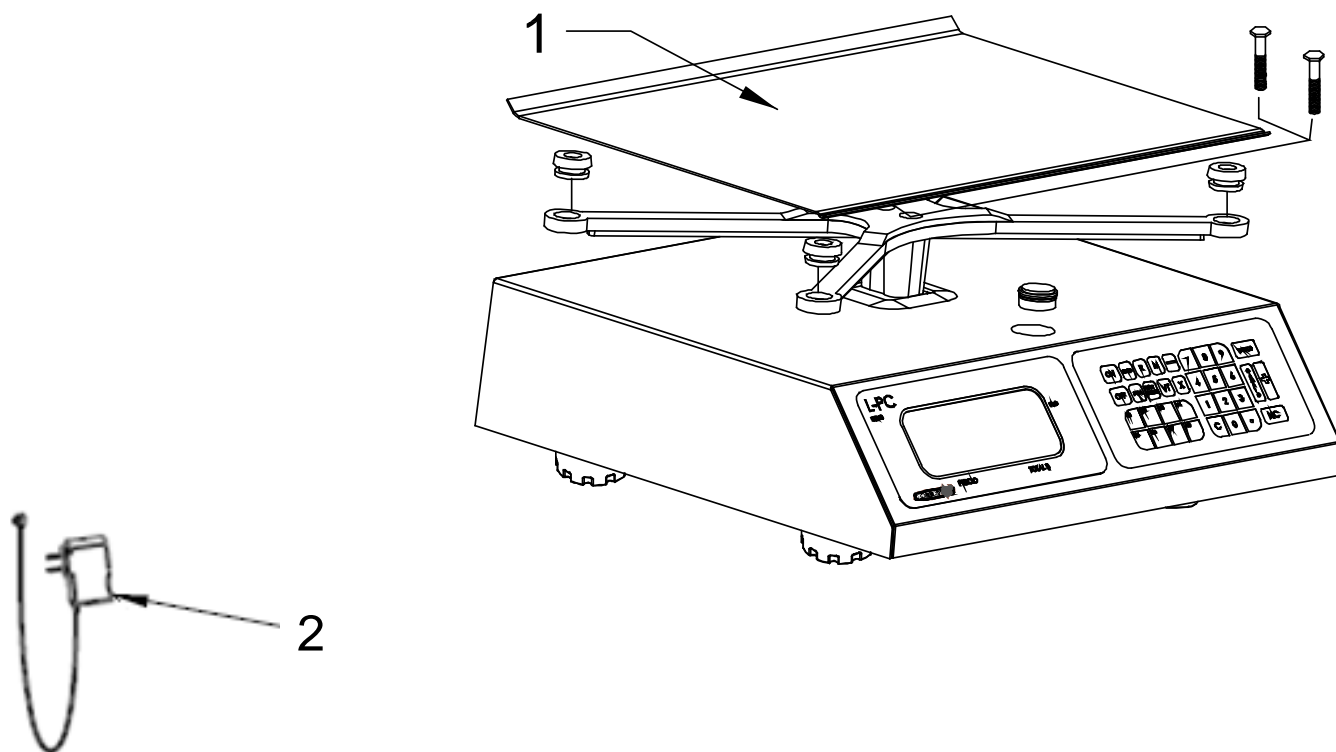
Line: Electronic Scale

Brand: TORREY

Model: LPC40L

Page 1-18

FROM THE SERIAL NUMBER: G18-000101





COMERCIAL SCALE

Line: Electronic Scale

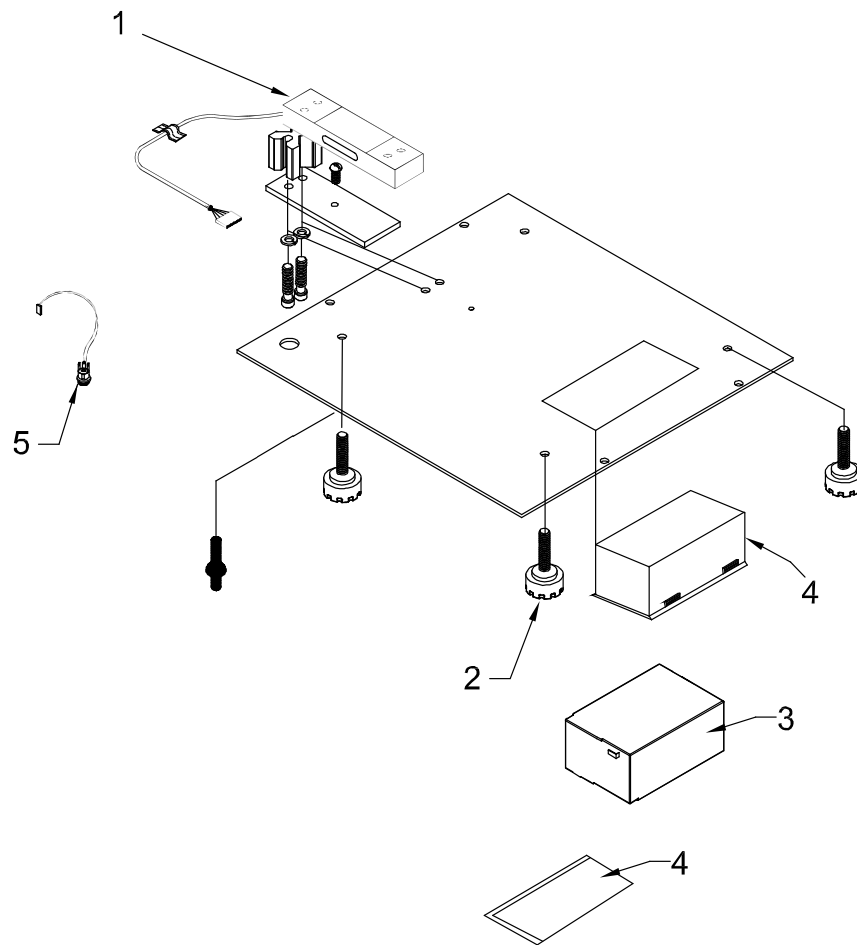
Brand: TORREY

Model: LPC40L

Page 1-18

No.	Description.	Code
01	L-PCR20 C.20 PLATE W/BOLTS	56300302
02	POWER SUPPLY 110V/220V 6Vcc 500mA SPT	21900978

FROM THE SERIAL NUMBER: C11-001761





COMERCIAL SCALE

Line: Electronic Scale

Brand: TORREY

Model: LPC40L

Page 2-13

No.	Description.	Code
01	20KG LOAD CELL FOR USA ASSEMBLED	46601026
02	ROUND LEVELING FEET PCR	22400041
03	BATTERY 6V 2.5 AH	21900490
04	SNAP BOX KIT	36700349
05	JACK ROSCADO L-PCR ENS.	46600688

COMERCIAL SCALE

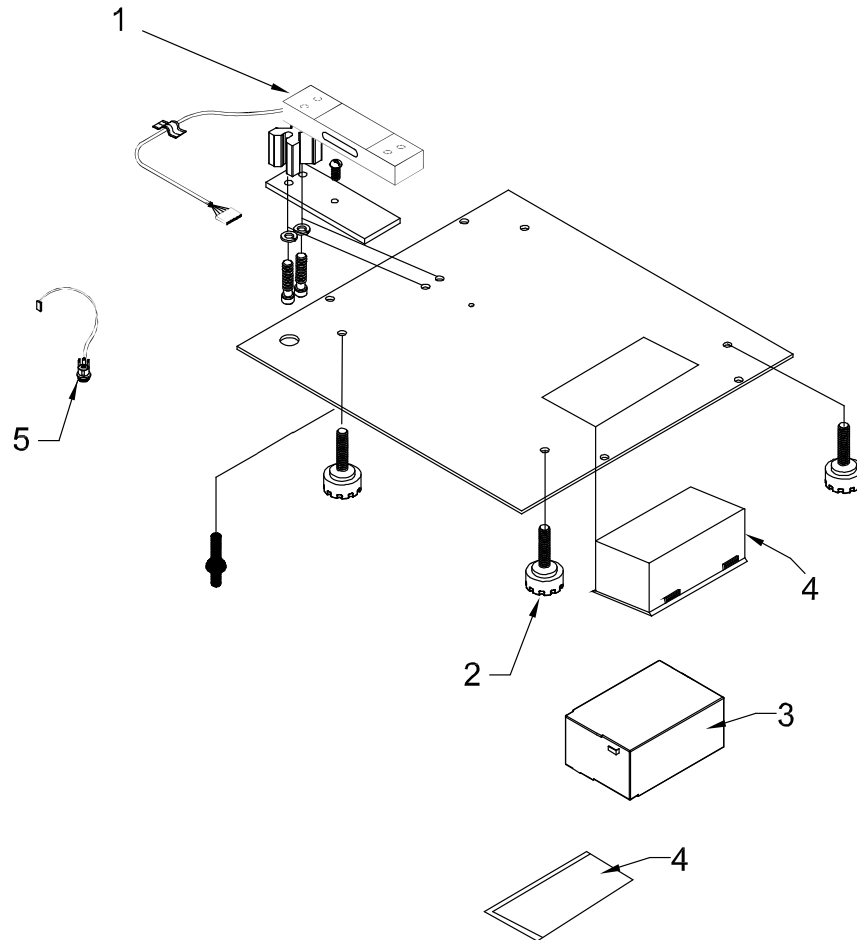
Line: Electronic Scale

Brand: TORREY

Model: LPC40L

Page 2-14

FROM THE SERIAL NUMBER: I14-022257





COMERCIAL SCALE

Line: Electronic Scale

Brand: TORREY

Model: LPC40L

Page 2-14

No.	Description.	Code
01	20KG LOAD CELL FOR USA ASSEMBLED	46601026
02	ROUND LEVELING FEET PCR	22400041
03	BATTERY 6V 4.5 AH	21900003
04	SNAP BOX KIT	36700349
05	JACK ROSCADO L-PCR ENS.	46600688

COMERCIAL SCALE

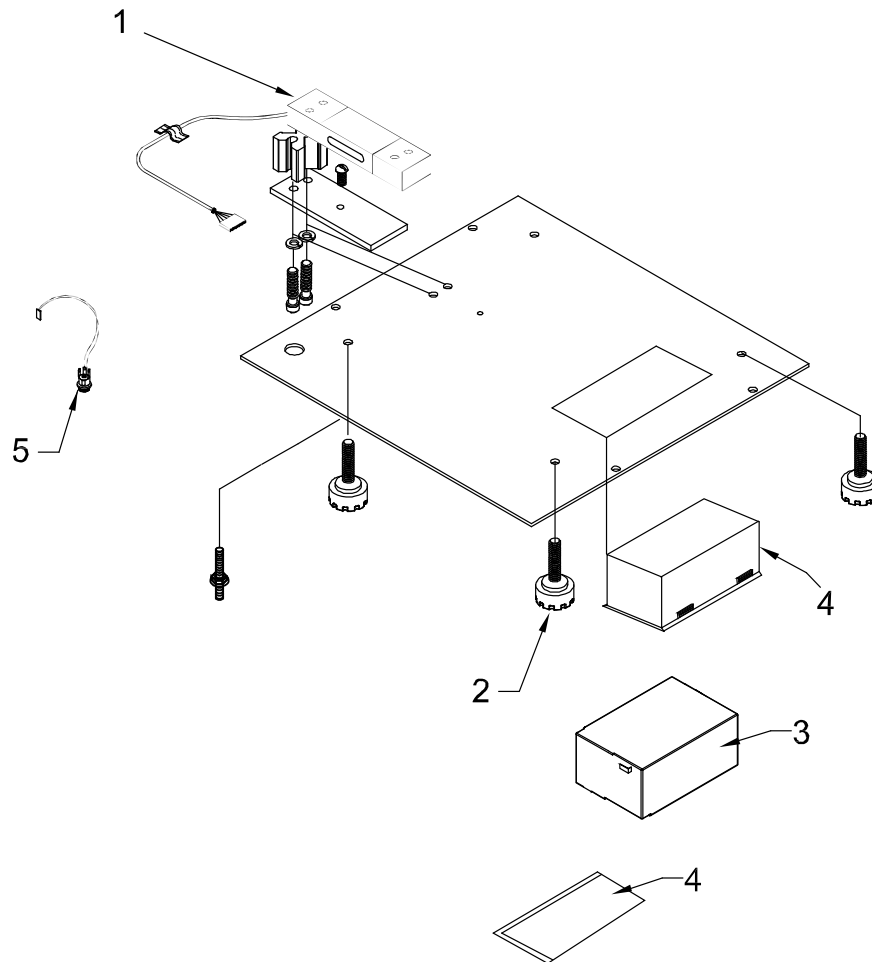
Line: Electronic Scale

Brand: TORREY

Model: LPC40L

Page 2-18

FROM THE SERIAL NUMBER: G18-00101





COMERCIAL SCALE

Line: Electronic Scale

Brand: TORREY

Model: LPC40L

Page 2-18

No.	Description.	Code
01	20KG LOAD CELL FOR USA ASSEMBLED	46601026
02	ROUND LEVELING FEET PCR	22400041
03	BATTERY 4V 2.5 AH	21900926
04	SNAP BOX KIT	36700349
05	JACK ROSCADO L-PCR ENS.	46600688

COMERCIAL SCALE

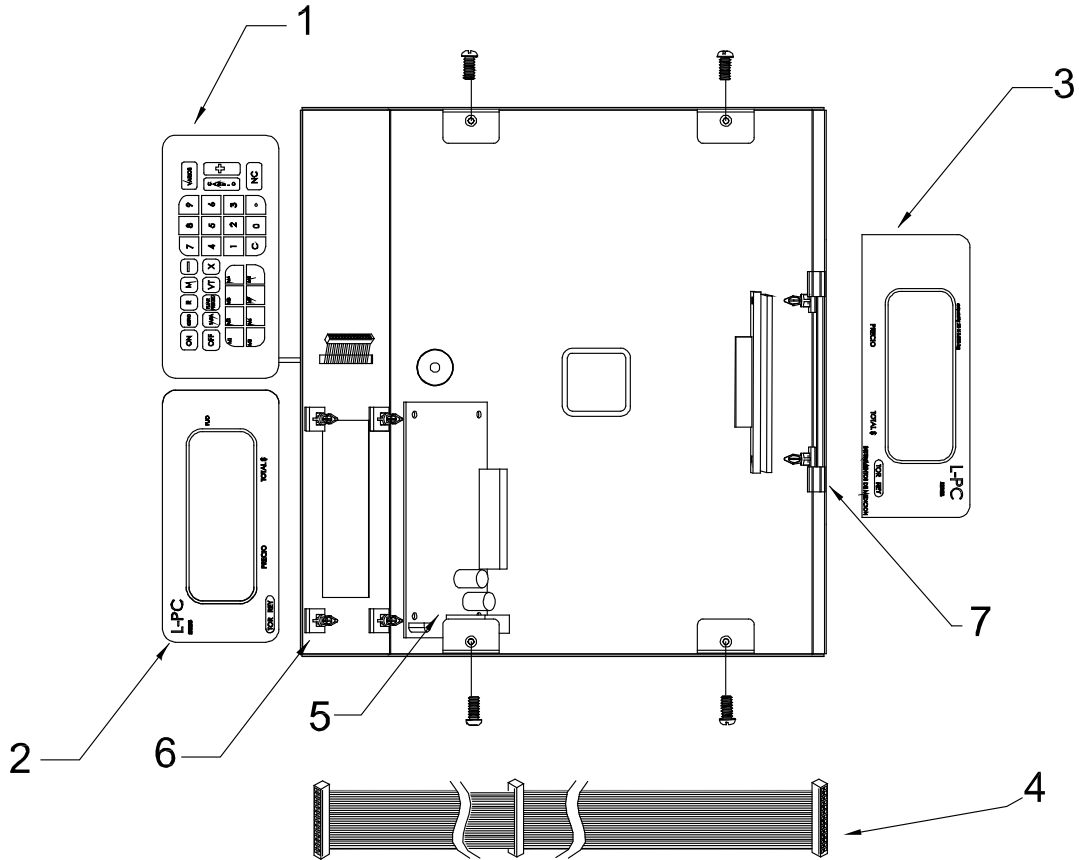
Line: Electronic Scale

Brand: TORREY

Model: LPC40L

Page 3-13

FROM THE SERIAL NUMBER: C11-001761





COMERCIAL SCALE

Line: Electronic Scale

Brand: TORREY

Model: LPC40L

Page 3-13

No.	Description.	Code
01	KEYBOARD L-PC USA R.1	20200088
02	FRONT OVERLAY LPC USA	23300048
03	BACK OVERLAY LPC USA	23300049
04	LPCR FLAT CABLE HARNESS	21900476
05	MASTER BOARD ASR2 EUROPE AS.	46600787
06	PINGOOD BOARD HOLDER	12400118
07	DISPLAY HOLDER	12400148

COMERCIAL SCALE

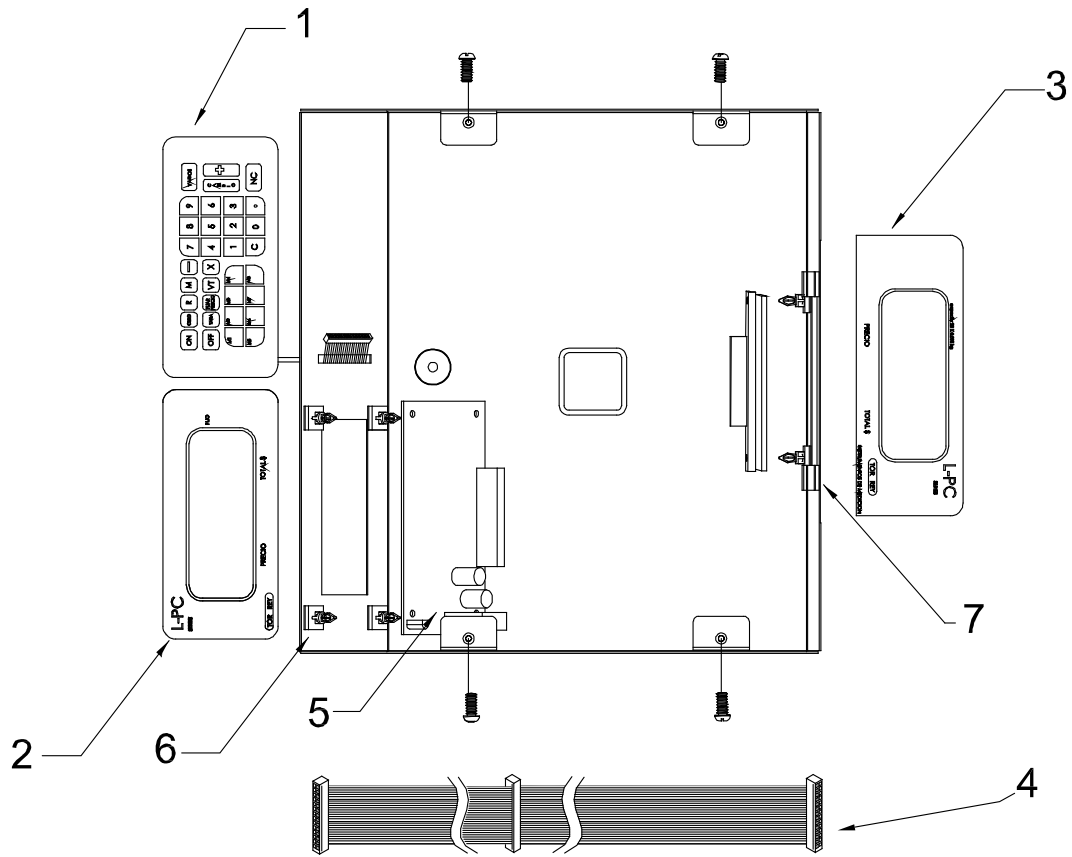
Line: Electronic Scale

Brand: TORREY

Model: LPC40L

Page 3-14

FROM THE SERIAL NUMBER: I14-022257





COMERCIAL SCALE

Line: Electronic Scale

Brand: TORREY

Model: LPC40L

Page 3-14

No.	Description.	Code
01	KEYBOARD L-PC USA R.1	20200088
02	FRONT OVERLAY LPC USA	23300048
03	BACK OVERLAY LPC USA	23300049
04	LPCR FLAT CABLE HARNESS	21900476
05	PPTLEQR1 MASTER BOARD (LPC USA) ASSEM.	46601203
06	PINGOOD BOARD HOLDER	12400118
07	DISPLAY HOLDER	12400148

COMERCIAL SCALE

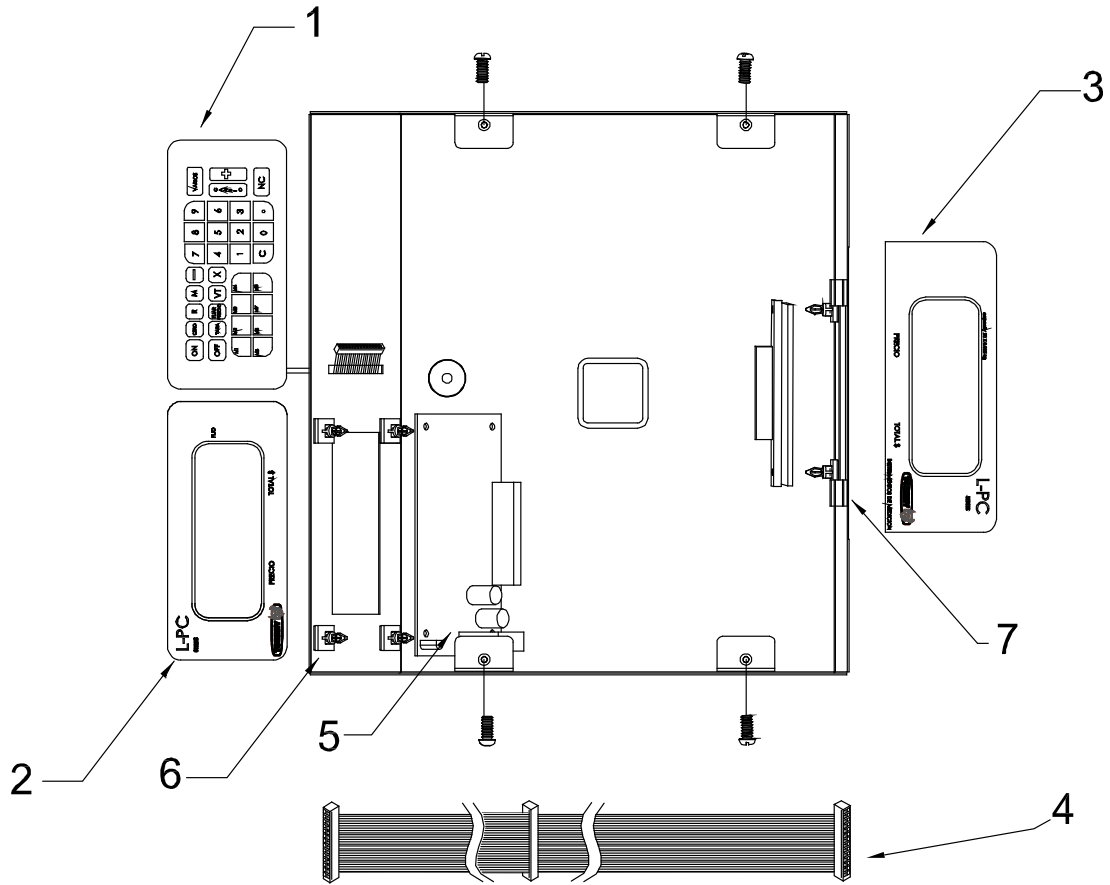
Line: Electronic Scale

Brand: TORREY

Model: LPC40L

Page 3-18

FROM THE SERIAL NUMBER: G18-00101





COMERCIAL SCALE

Line: Electronic Scale

Brand: TORREY

Model: LPC40L

Page 3-18

No.	Description.	Code
01	KEYBOARD L-PC USA R.1	20200088
02	FRONT OVERLAY LPC USA NL	23300544
03	BACK OVERLAY LPC USA NL	23300545
04	LPCR FLAT CABLE HARNESS	21900476
05	TMPPTSER MASTER BOARD (LPC USA) ASSEM	46601330
06	PINGOOD BOARD HOLDER	12400118
07	DISPLAY HOLDER	12400148

COMERCIAL SCALE

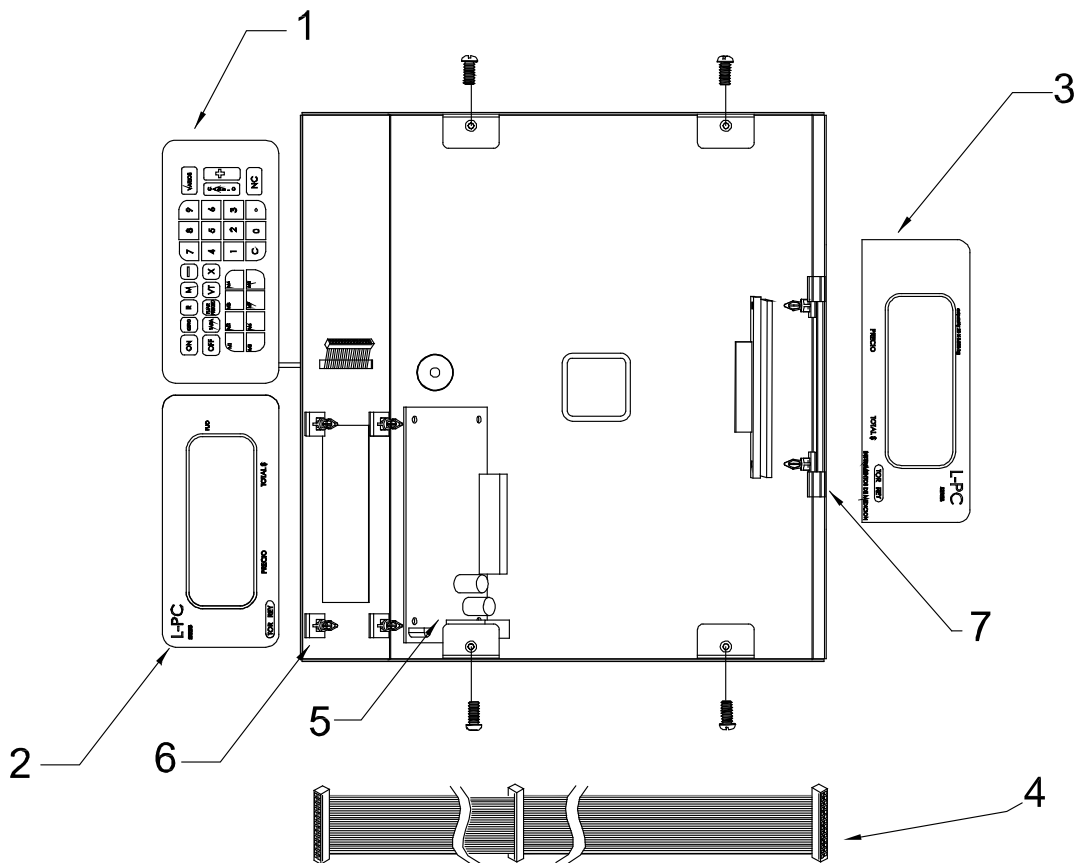
Line: Electronic Scale

Brand: TORREY

Model: LPC40L

Page 1-19

FROM THE SERIAL NUMBER: A19-000001



No.	Description.	Code
01	KEYBOARD LPC-CAP NL R0	20200581
02	FRONT OVERLAY LPC-CAP USA	23300505
03	BACK OVERLAY LPC-CAP USA	23300506
04	LPCR FLAT CABLE HARNESS	21900476
05	TMPPTCAPSER MASTER BOARD (LPC USA) ASSEM	46601384
06	PINGOOD BOARD HOLDER	12400118
07	DISPLAY HOLDER	12400148