

PORTIONING SCALE

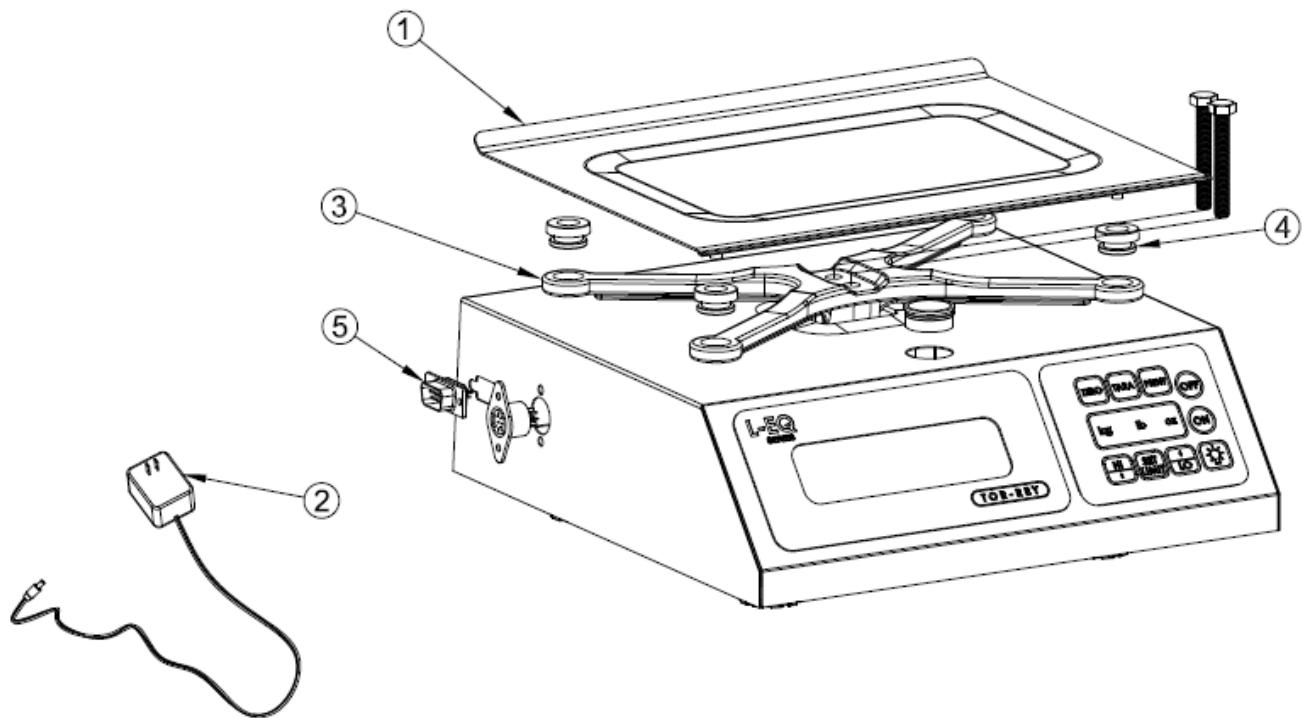
Line: Electronic Scale

Brand: TORREY

Model: LEQ5-USA, LEQ10-USA

Page 1-12

FROM THE SERIAL NUMBER: H11-000001 (LEQ5-USA)
H11-000001 (LEQ10-USA)





PORTIONING SCALE

Line: Electronic Scale

Brand: TORREY

Model: LEQ5-USA, LEQ10-USA

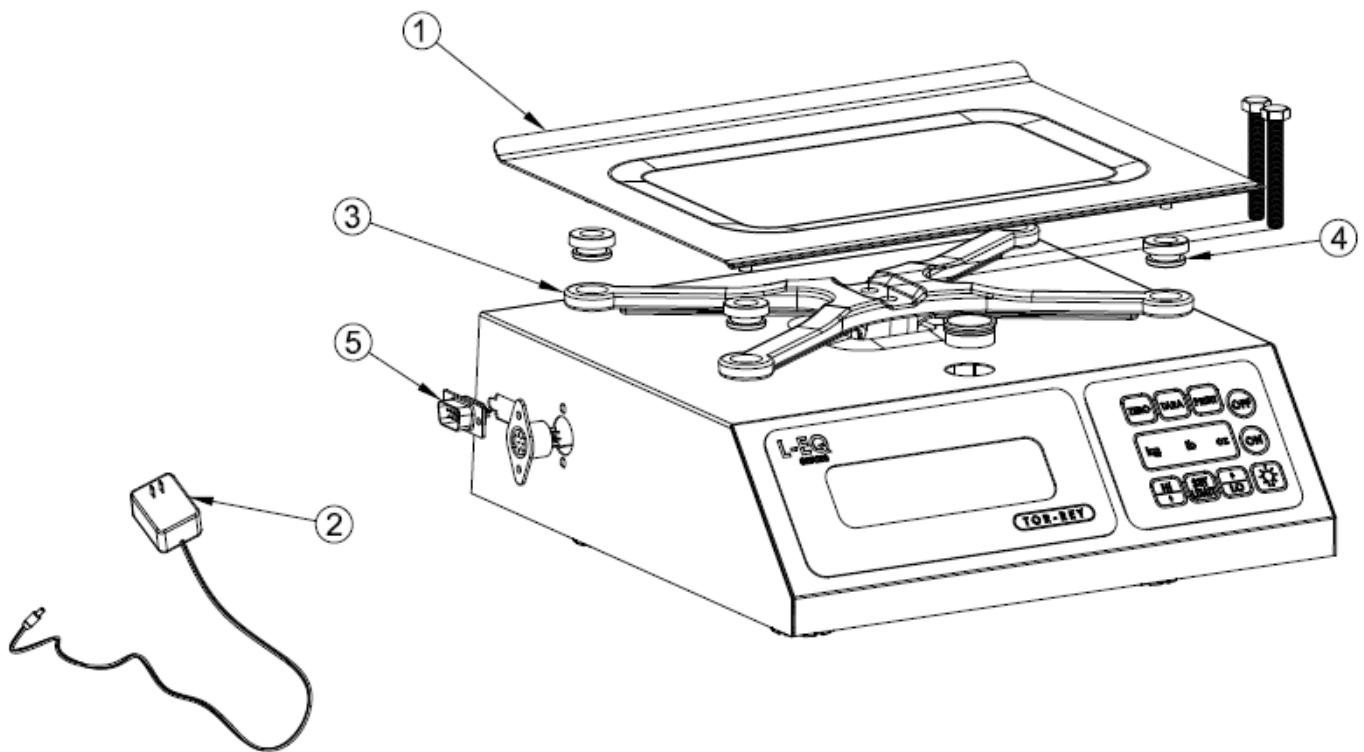
Page 1-12

No.	Description.	Code
01	C.20 L-EQ PLATE W/BOLTS	56300491
02	110V/220V 9Vcc 500mA SPT POWER SUPPLY	21900706
03	L-PCR PLATE HOLDER ASSEMBLED	36700170
04	1/8 PLATE HOLDER'S SEAL	12400001
05	DB9 MALE HARNESS ASSEMBLED (24 CM)	21900510

PORTIONING SCALE

Line: Electronic Scale
Brand: TORREY
Model: LEQ5-USA, LEQ10-USA
Page 1-14

FROM THE SERIAL NUMBER: I14-002079 (LEQ5-USA)
I14-002831 (LEQ10-USA)





PORTIONING SCALE

Line: Electronic Scale

Brand: TORREY

Model: LEQ5-USA, LEQ10-USA

Page 1-14

No.	Description.	Code
01	C.20 L-EQ PLATE W/BOLTS	56300491
02	110V/220V 9Vcc 500mA SPT POWER SUPPLY	21900706
03	L-PCR PLATE HOLDER ASSEMBLED	36700170
04	1/8 PLATE HOLDER'S SEAL	12400001
05	DB9 MALE HARNESS ASSEMBLED (24 CM)	21900510

PORTIONING SCALE

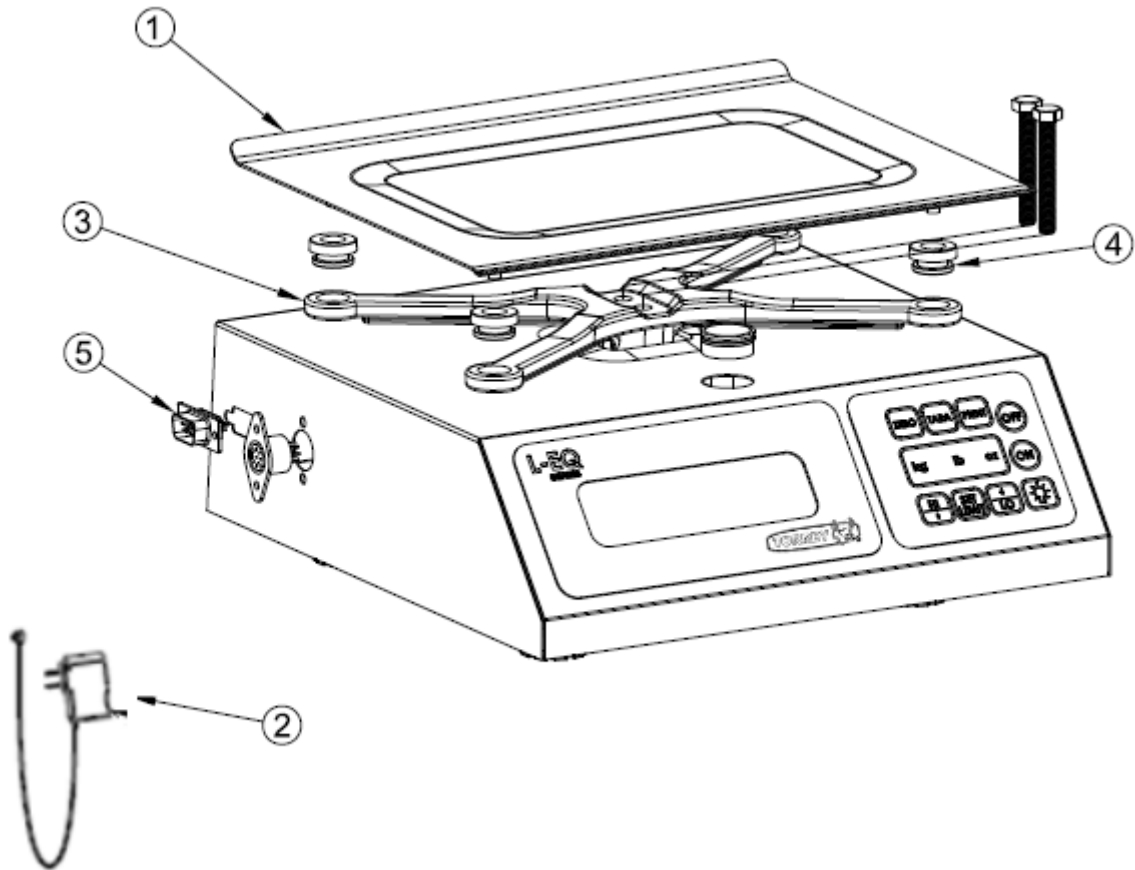
Line: Electronic Scale

Brand: TORREY

Model: LEQ5-USA, LEQ10-USA

Page 1-18

FROM THE SERIAL NUMBER: G18-000101 (LEQ5-USA)
G18-000101 (LEQ10-USA)





PORTIONING SCALE

Line: Electronic Scale

Brand: TORREY

Model: LEQ5-USA, LEQ10-USA

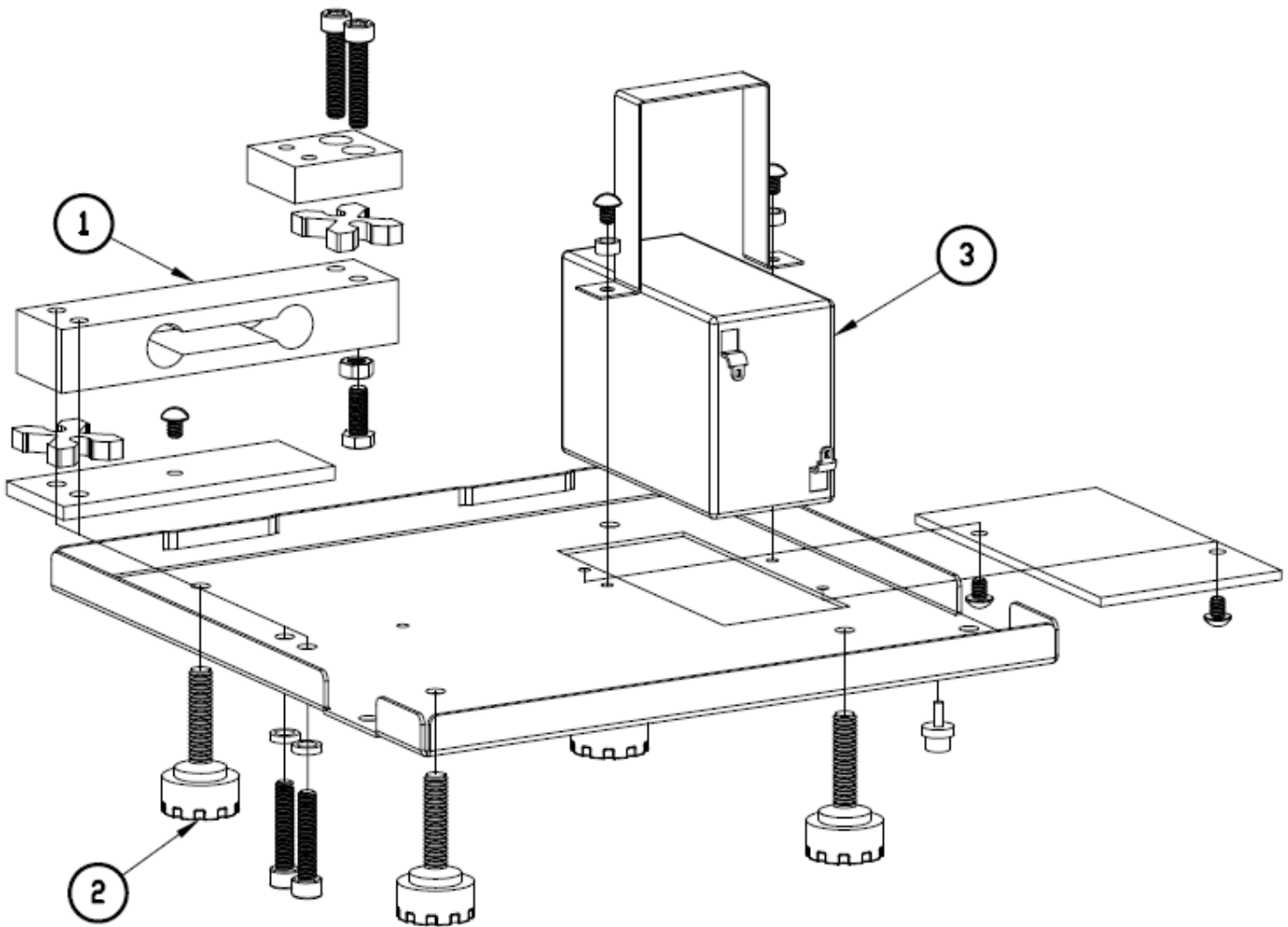
Page 1-18

No.	Description.	Code
01	C.20 L-EQ PLATE W/BOLTS	56300491
02	110V/220V 6Vcc 500mA SPT POWER SUPPLY	21900978
03	L-PCR PLATE HOLDER ASSEMBLED	36700170
04	1/8 PLATE HOLDER'S SEAL	12400001
05	DB9 MALE HARNESS ASSEMBLED (24 CM)	21900510

PORTIONING SCALE

Line: Electronic Scale
Brand: TORREY
Model: LEQ5-USA, LEQ10-USA
Page 2-12

FROM THE SERIAL NUMBER: H11-000001 (LEQ5-USA)
H11-000001 (LEQ10-USA)





PORTIONING SCALE

Line: Electronic Scale

Brand: TORREY

Model: LEQ5-USA, LEQ10-USA

Page 2-12

No.	Description.	Code
01	5 KG MOD. 1022 LOAD CELL ASSEMBLED	46600678
02	PCR LEVELING FEET ROUNDED	22400041
03	6V 2.5AH BATTERY	2190040

FOR THE LEQ10-USA MODEL:

No.	Description.	Code
01	10KG MOD. 1022 LOAD CELL ASSEMBLED	46600684

PORTIONING SCALE

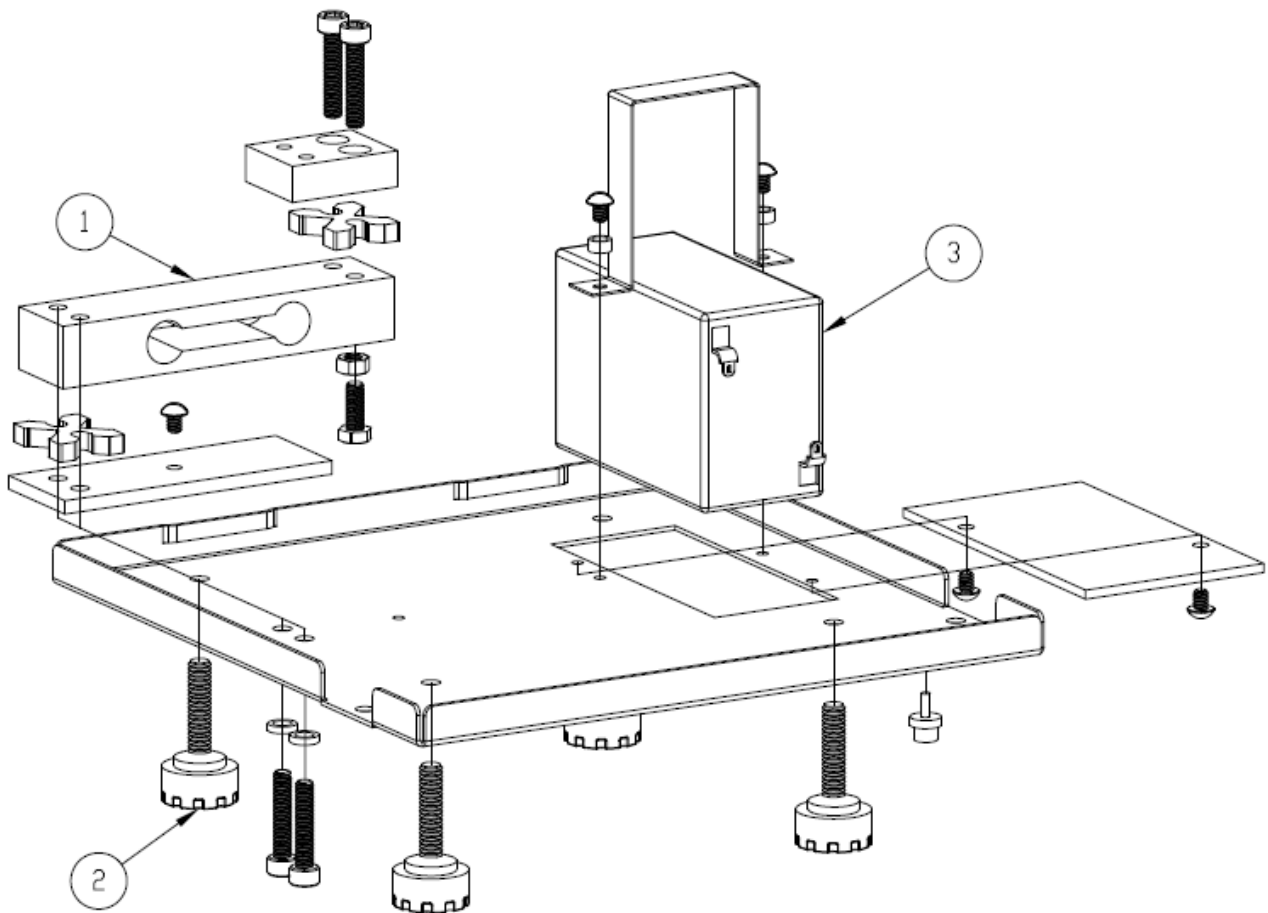
Line: Electronic Scale

Brand: TORREY

Model: LEQ5-USA, LEQ10-USA

Page 2-14

FROM THE SERIAL NUMBER: I14-002079 (LEQ5-USA)
I14-002831 (LEQ10-USA)





PORTIONING SCALE

Line: Electronic Scale
Brand: TORREY
Model: LEQ5-USA, LEQ10-USA
Page 2-14

No.	Description.	Code
01	5 KG MOD. 1022 LOAD CELL ASSEMBLED	46600678
02	PCR LEVELING FEET ROUNDED	22400041
03	6V 4/4.5 RECHARGEABLE BATTERY	21900003

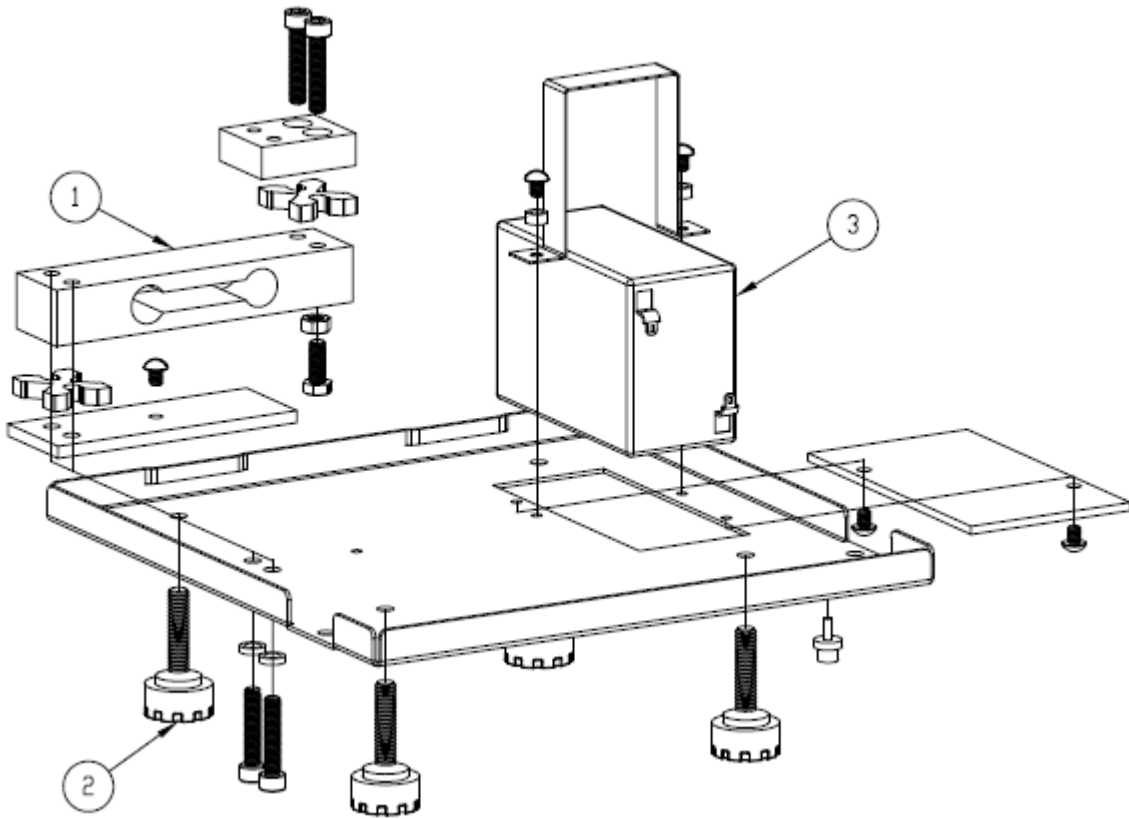
FOR THE LEQ10-USA MODEL:

No.	Description.	Code
01	10KG MOD. 1022 LOAD CELL ASSEMBLED	46600684

PORTIONING SCALE

Line: Electronic Scale
Brand: TORREY
Model: LEQ5-USA, LEQ10-USA
Page 2-18

FROM THE SERIAL NUMBER: I14-002079 (LEQ5-USA)
I14-002831 (LEQ10-USA)





PORTIONING SCALE

Line: Electronic Scale

Brand: TORREY

Model: LEQ5-USA, LEQ10-USA

Page 2-18

No.	Description.	Code
01	5 KG MOD. 1022 LOAD CELL ASSEMBLED	46600678
02	PCR LEVELING FEET ROUNDED	22400041
03	4V 2.5 AH RECHARGEABLE BATTERY	21900926

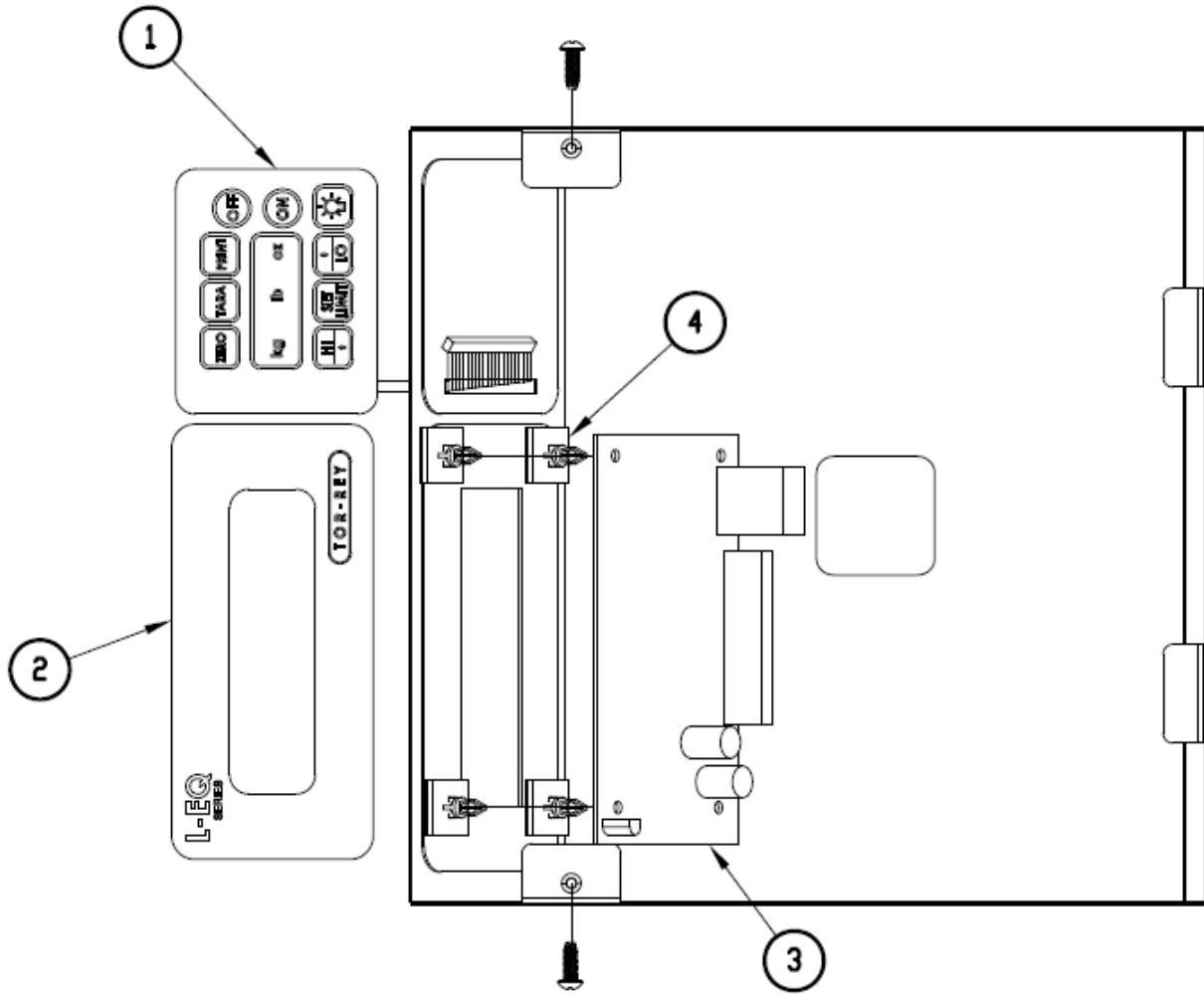
FOR THE LEQ10-USA MODEL:

No.	Description.	Code
01	10KG MOD. 1022 LOAD CELL ASSEMBLED	46600684

PORTIONING SCALE

Line: Electronic Scale
Brand: TORREY
Model: LEQ5-USA, LEQ10-USA
Page 3-12

FROM THE SERIAL NUMBER: H11-000001 (LEQ5-USA)
H11-000001 (LEQ10-USA)





PORTIONING SCALE

Line: Electronic Scale

Brand: TORREY

Model: LEQ5-USA, LEQ10-USA

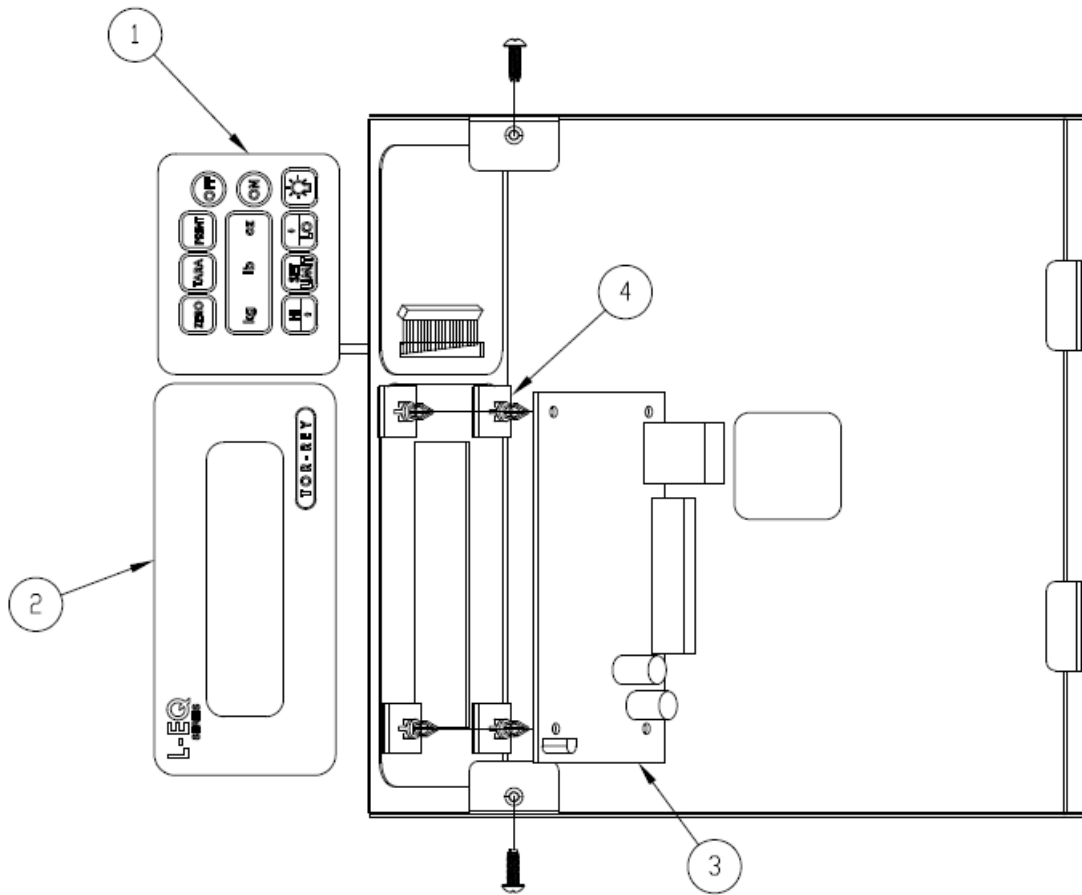
Page 3-12

No.	Description.	Code
01	L-EQ REV. 2 KEYBOARD 2	20200083
02	L-EQ R1.2 OVERLAY	23300041
03	TMLEQSR0 MASTER BOARD ASSEMBLED	46600813
04	PCR #MS-8 (3M) BOARD HOLDER PINGOOD	12400118

PORTIONING SCALE

Line: Electronic Scale
Brand: TORREY
Model: LEQ5-USA, LEQ10-USA
Page 3-14

FROM THE SERIAL NUMBER: I14-002079 (LEQ5-USA)
I14-002831 (LEQ10-USA)





PORTIONING SCALE

Line: Electronic Scale

Brand: TORREY

Model: LEQ5-USA, LEQ10-USA

Page 3-14

No.	Description.	Code
01	L-EQ REV. 2 KEYBOARD 2	20200083
02	L-EQ R1.2 OVERLAY	23300041
03	TMLEQSR0 MASTER BOARD ASSEMBLED	46600813
04	PCR #MS-8 (3M) BOARD HOLDER PINGOOD	12400118

PORTIONING SCALE

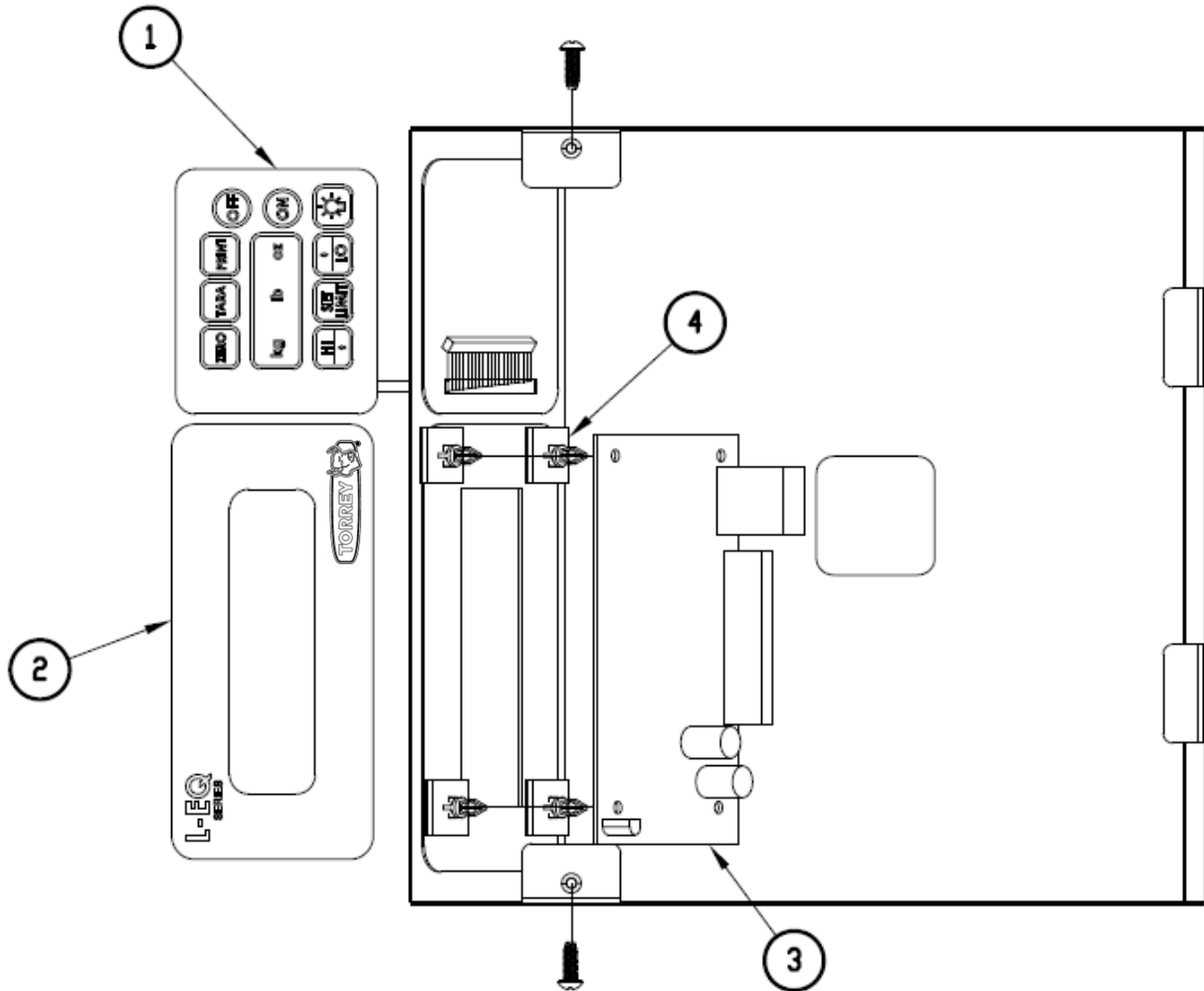
Line: Electronic Scale

Brand: TORREY

Model: LEQ5-USA, LEQ10-USA

Page 3-18

FROM THE SERIAL NUMBER: G18-000101 (LEQ5-USA)
G18-000101 (LEQ10-USA)





PORTIONING SCALE

Line: Electronic Scale

Brand: TORREY

Model: LEQ5-USA, LEQ10-USA

Page 3-18

No.	Description.	Code
01	L-EQ REV. KEYBOARD 2	20200083
02	L-EQ R1 OVERLAY NL	23300504
03	MASTER BOARD ASSEMBLED	46601335
04	PCR #MS-8 (3M) BOARD HOLDER PINGOOD	12400118