

RECEIVING SCALE

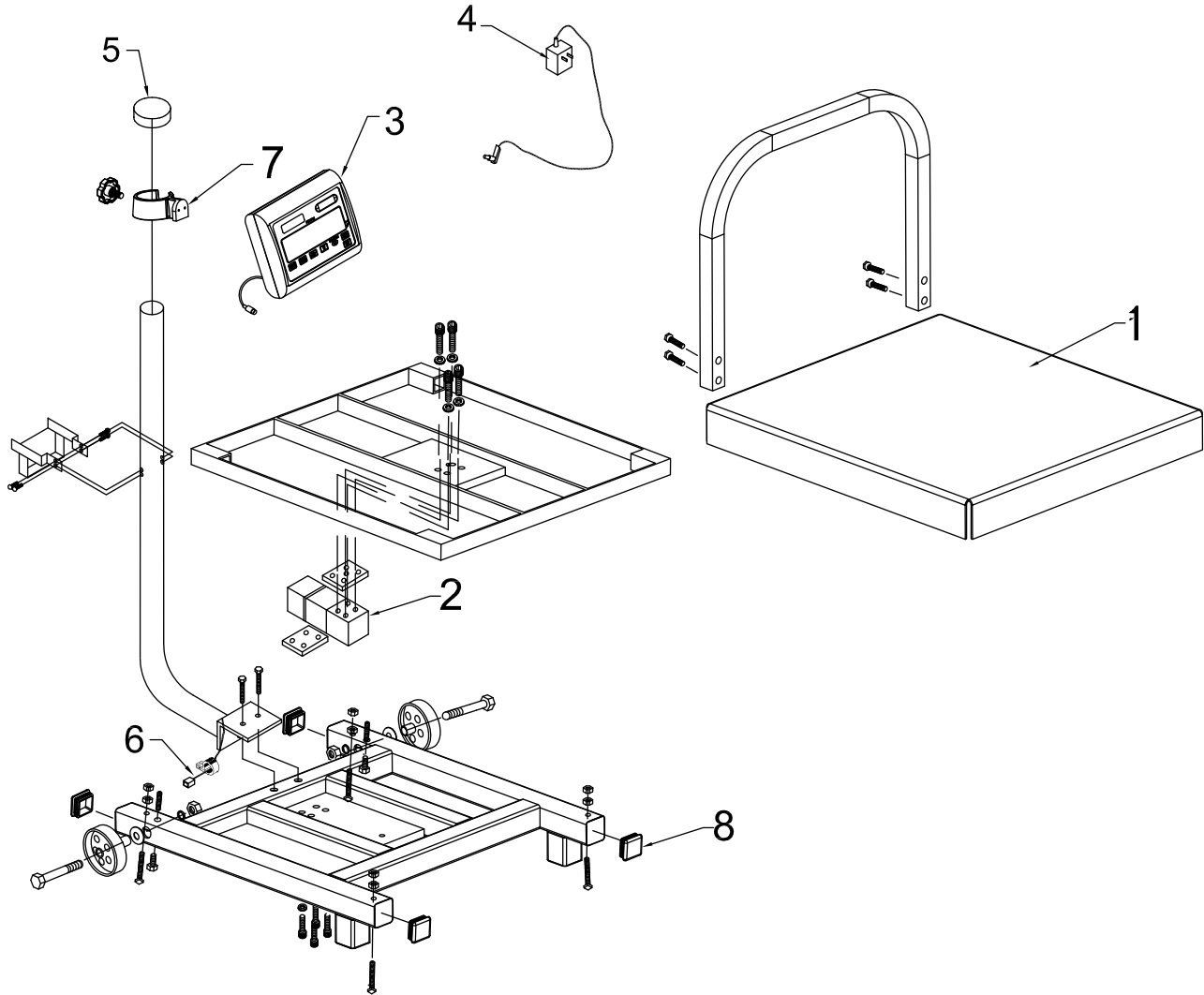
Line: Electronic Scale

Brand: TORREY

Models: FS250/500-USA , FS500/1000-USA

Page 1-14

FROM THE SERIAL NUMBER: J14-000001 (FS250-USA)
L14-000001 (FS500-USA)





RECEIVING SCALE

Line: Electronic Scale

Brand: TORREY

Models: FS250/500-USA , FS500/1000-USA

Page 1-14

No.	Description.	Code
01	PAINTED L-EQM PLATE	B-56500107
02	300KG MOD M263 LOAD CELL WITHOUT FEMALE TERMINAL ASSE	B-46601126
03	FS-250 MODULE ASSEMBLED	SEE PAG. 02
04	110V/220 9Vcc 500mA POWER SUPPLY	B-21900706
05	PLASTIC CAP FOR EQM TURRET	B-12400201
06	EQ/FS TURRET HARNESS ASSEMBLED	B-46601127
07	PLASTIC "C" SUPPORT	B-12400162
08	1 ½" X 1 ½" PLASTIC CAP FOR PTR	B-22400191

FOR THE FS500-NT MODEL:

No.	Description.	Code
02	500 KG MOD. 263 LOAD CELL. ASSEMBLED	B-46600977
03	FS500 MODULE ASSEMBLED	SEE PAG. 02

RECEIVING SCALE

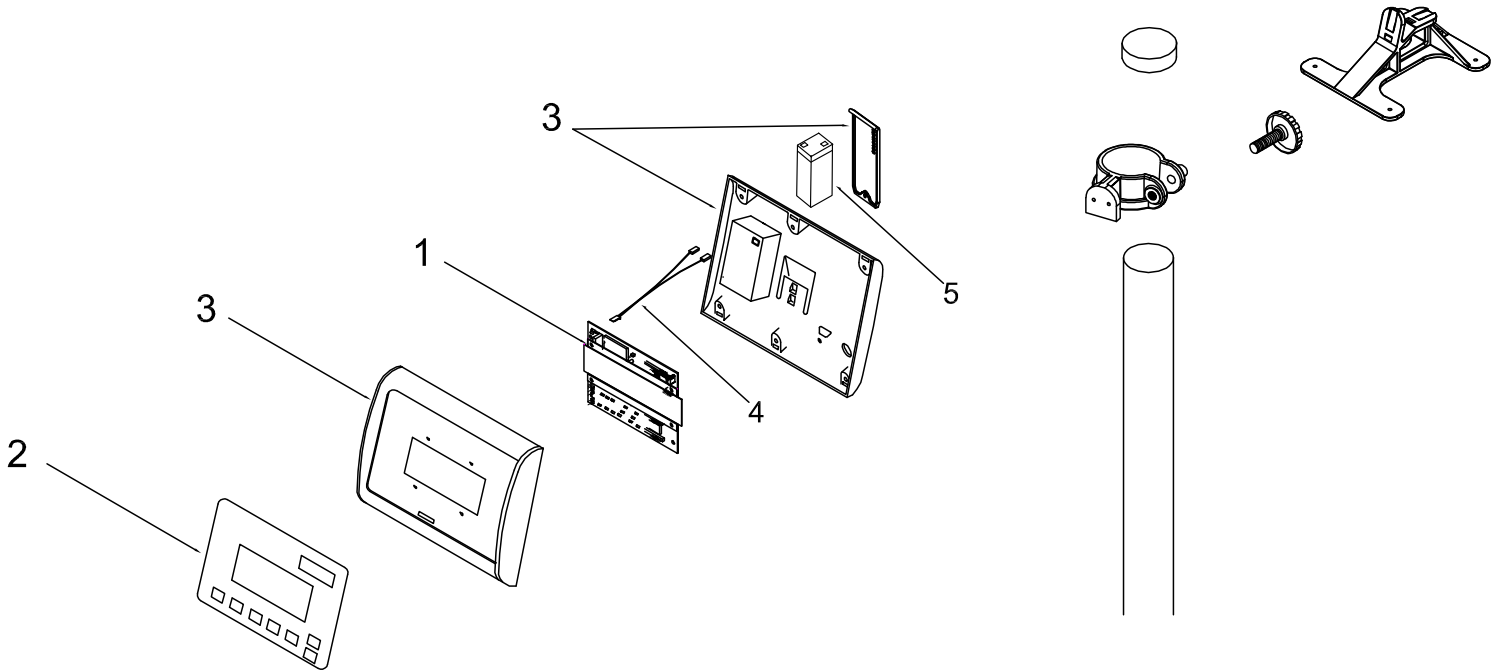
Line: Electronic Scale

Brand: TORREY

Models: FS250/500-USA , FS500/1000-USA

Page 2-14

FROM THE SERIAL NUMBER: J14-000001 (FS250-USA)
L14-000001 (FS500-USA)





RECEIVING SCALE

Line: Electronic Scale

Brand: TORREY

Models: FS250/500-USA , FS500/1000-USA

Page 2-14

No.	Description.	Code
Ø1	MASTER BOARD TM EQMSTR2 ASSEMBLED	B-466Ø1243
Ø2	EQM KEYBOARD NL RØ	B-2Ø2ØØ589
Ø3	KIT EQM MODULE (CASE)	B-367ØØ348
Ø4	BATTERY HARNESS 47CM ASSEMBLED	B-466ØØ718
Ø5	4V 2.5AH BATTERY	B-219ØØ926

RECEIVING SCALE

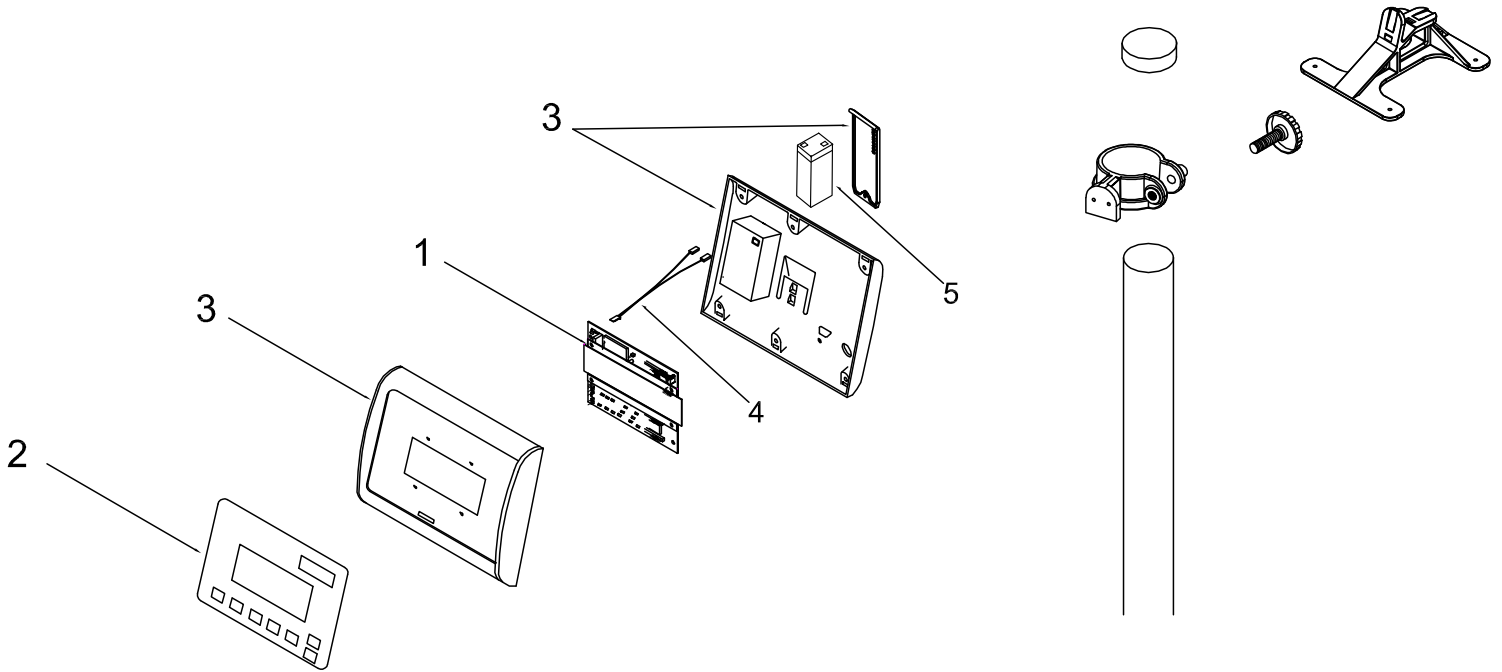
Line: Electronic Scale

Brand: TORREY

Models: FS250/500-USA , FS500/1000-USA

Page 2-17

FROM THE SERIAL NUMBER: J17-000XXX (FS250-USA)
J17-000XXX (FS500-USA)





RECEIVING SCALE

Line: Electronic Scale

Brand: TORREY

Models: FS250/500-USA , FS500/1000-USA

Page 2-17

No.	Description.	Code
Ø1	MASTER BOARD TM EQMSTR2 ASSEMBLED	B-466Ø1243
Ø2	EQM KEYBORAD NL RØ	B-2Ø2ØØ589
Ø3	KIT EQM MODULE (CASE)	B-367ØØ348
Ø4	BATTERY HARNESS 47CM ASSEMBLED	B-466ØØ718
Ø5	4V 2.5AH BATTERY	B-219ØØ926

RECEIVING SCALE

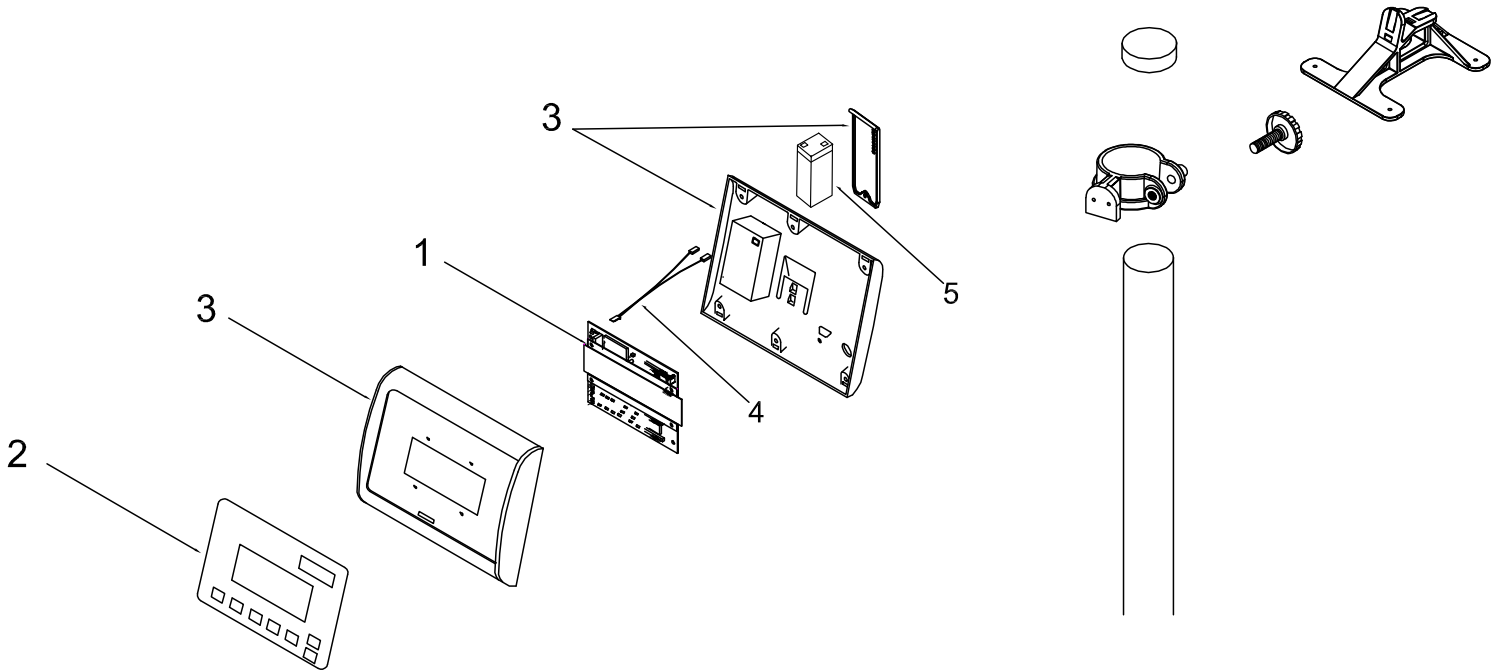
Line: Electronic Scale

Brand: TORREY

Models: FS250/500-USA , FS500/1000-USA

Page 2-23

FROM THE SERIAL NUMBER: F23-000XXX (FS250-USA)
F23-000XXX (FS500-USA)





RECEIVING SCALE

Line: Electronic Scale

Brand: TORREY

Models: FS250/500-USA , FS500/1000-USA

Page 2-23

No.	Description.	Code
Ø1	MASTER BOARD TMEQMSERR2 ASSEMBLED	B-46601553
Ø2	EQM KEYBORAD NL RØ	B-20200589
Ø3	KIT EQM MODULE (CASE)	B-36700348
Ø4	BATTERY HARNESS 47CM ASSEMBLED	B-46600718
Ø5	4V 2.5AH BATTERY	B-21900926