

RECEIVING SCALE

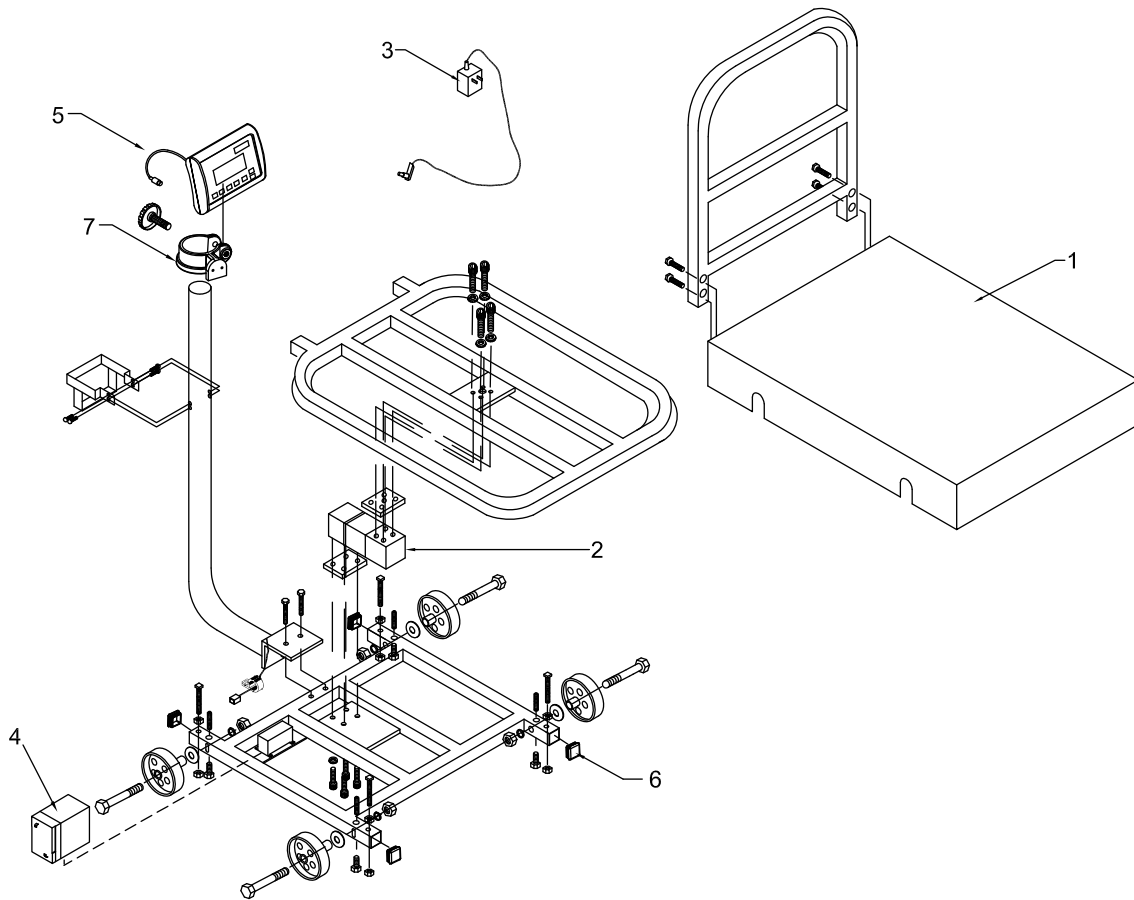
Line: Electronic Scale

Brand: TORREY

Model: EQM-1000/2000 USA , EQM-1000/2000 USA

Page 1-13

FROM THE SERIAL NUMBER: I11-000009 (EQM1000-NT)





RECEIVING SCALE

Line: Electronic Scale

Brand: TORREY

Model: EQM-1000/2000 USA

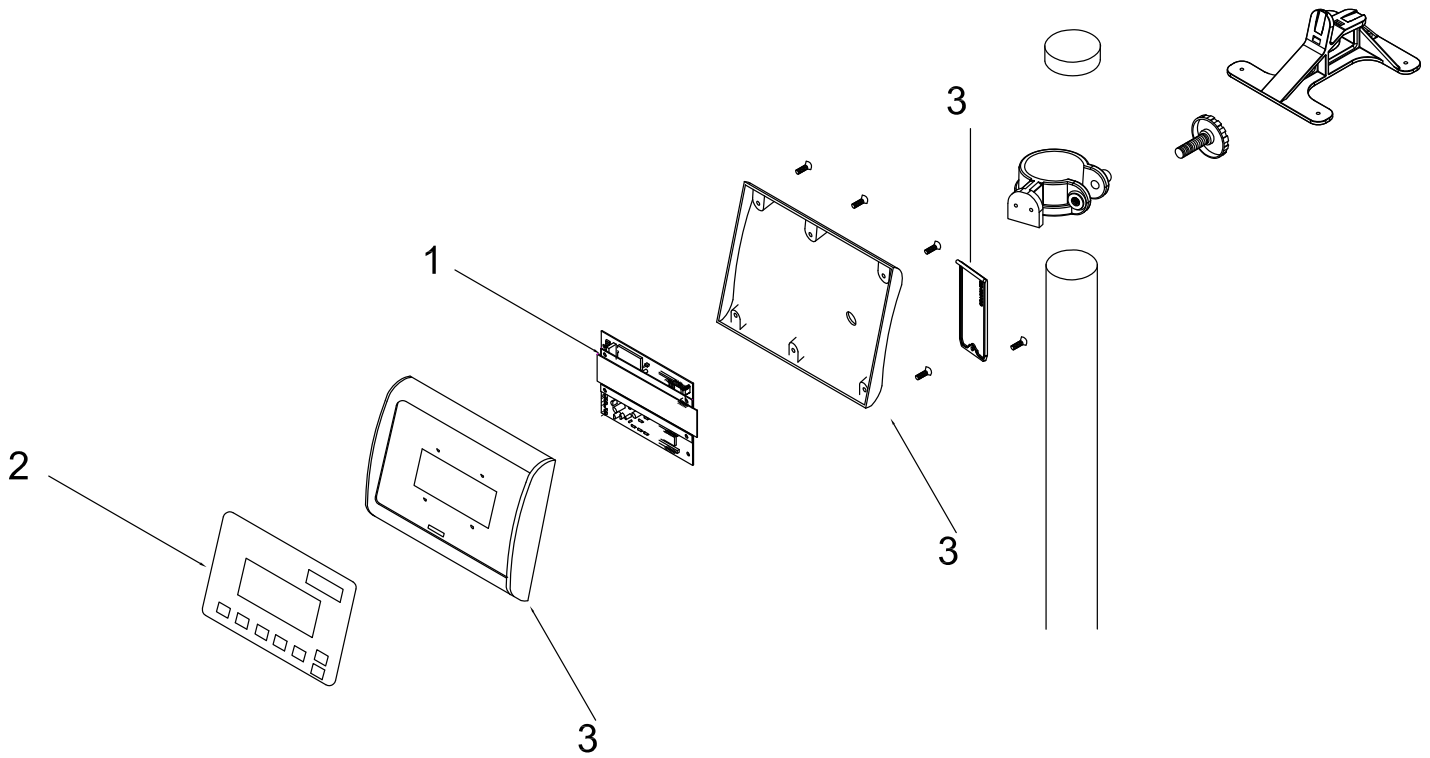
Page 1-13

No.	Description.	Code
01	EQM1000 PAINTED PLATE	36500024
02	WEIGHT SENSOR 10000 KG ASSEMBLED	46600115
03	AC/DC POWER SUPPLY 110/220 VCA 9Vcc 500 mA	21900706
04	6v 2.5 AH BATTERY	21900490
05	8P MALE DINN CONNECTOR NOT POL S/T ASSEMBLED	46600902
06	PLASTIC PLUG FOR SQUARE TUBE 1 1/2" X 1 1/2"	22400191
07	PLASTIC SUPPORT "C"	12400162

RECEIVING SCALE

Line: Electronic Scale
Brand: TORREY
Model: EQM-1000/2000 USA
Page 2-23

FROM THE SERIAL NUMBER: F23-000101 (EQM1000-NT)





RECEIVING SCALE

Line: Electronic Scale

Brand: TORREY

Model: EQM-1000/2000 USA

Page 2-23

No.	Description.	Code
01	MASTER BOARD EQM ASSEMBLED	46601553
02	MEMBRANE SWITCH EQM N.D	20200589
03	EQM MODULE'S (CASE) KIT	36700348