

# RECEIVING SCALE

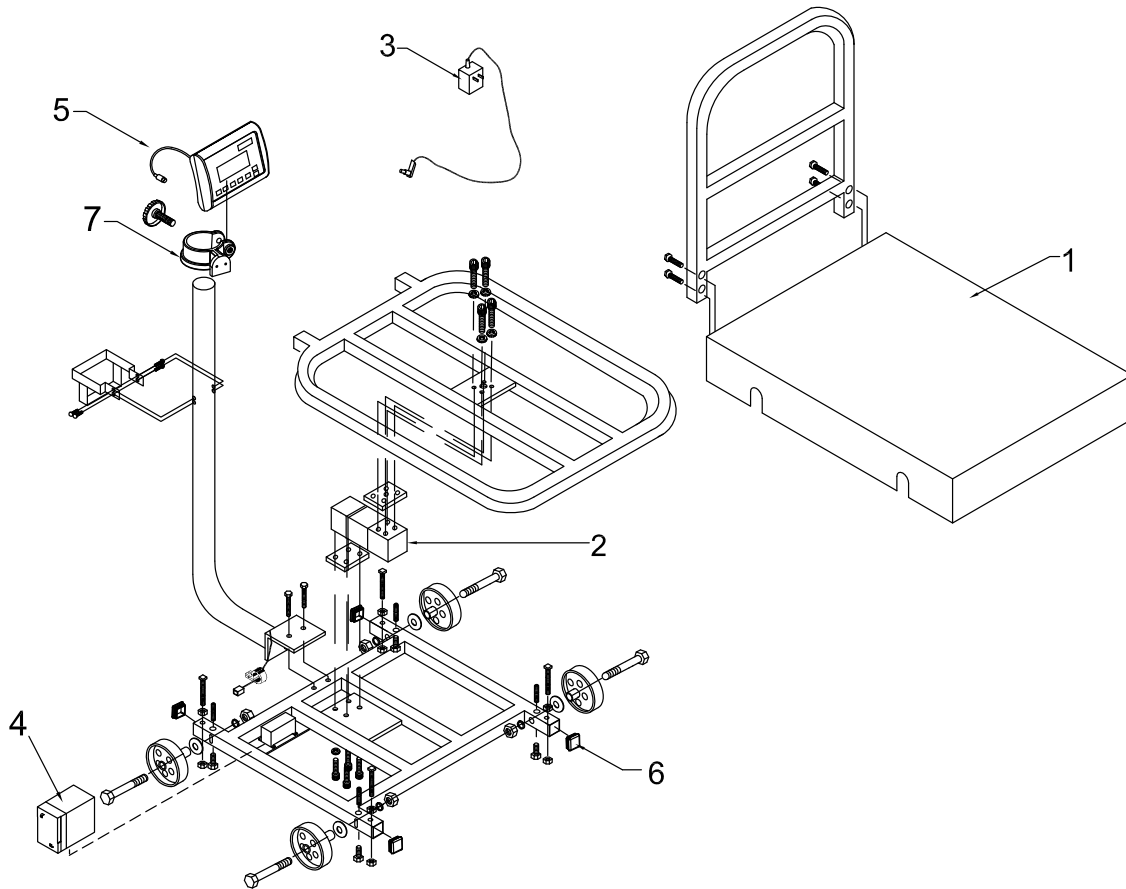
Line: Electronic Scale

Brand: TORREY

Model: EQM-200/400 USA , EQM-400/800 USA

Page 1-13

FROM THE SERIAL NUMBER: G11-000015 (EQM200-NT)  
G11-000028 (EQM200-NT)





## RECEIVING SCALE

Line: Electronic Scale

Brand: TORREY

Model: EQM-200/400 USA , EQM-400/800 USA

Page 1-13

No.	Description.	Code
01	EQM 200/400 PLATE	36500017
02	WEIGHT SENSOR 300 KG/600 LB	46601107
03	AC/DC POWER SUPPLY 110/220 VCA 9Vcc 500 mA	21900706
04	6v 2.5 AH BATTERY	21900490
05	8P MALE DINN CONNECTOR NOT POL S/T ASSEMBLED	46600902
06	PLASTIC PLUG FOR SQUARE TUBE 1 ½" X 1 ½"	22400191
07	PLASTIC SUPPORT "C"	12400162

FOR THE EQM400-NT MODEL:

No.	Description.	Code
02	500 LOAD CELL MOD. 1250 LOAD CELL. ASSEMBLED	46600114

# RECEIVING SCALE

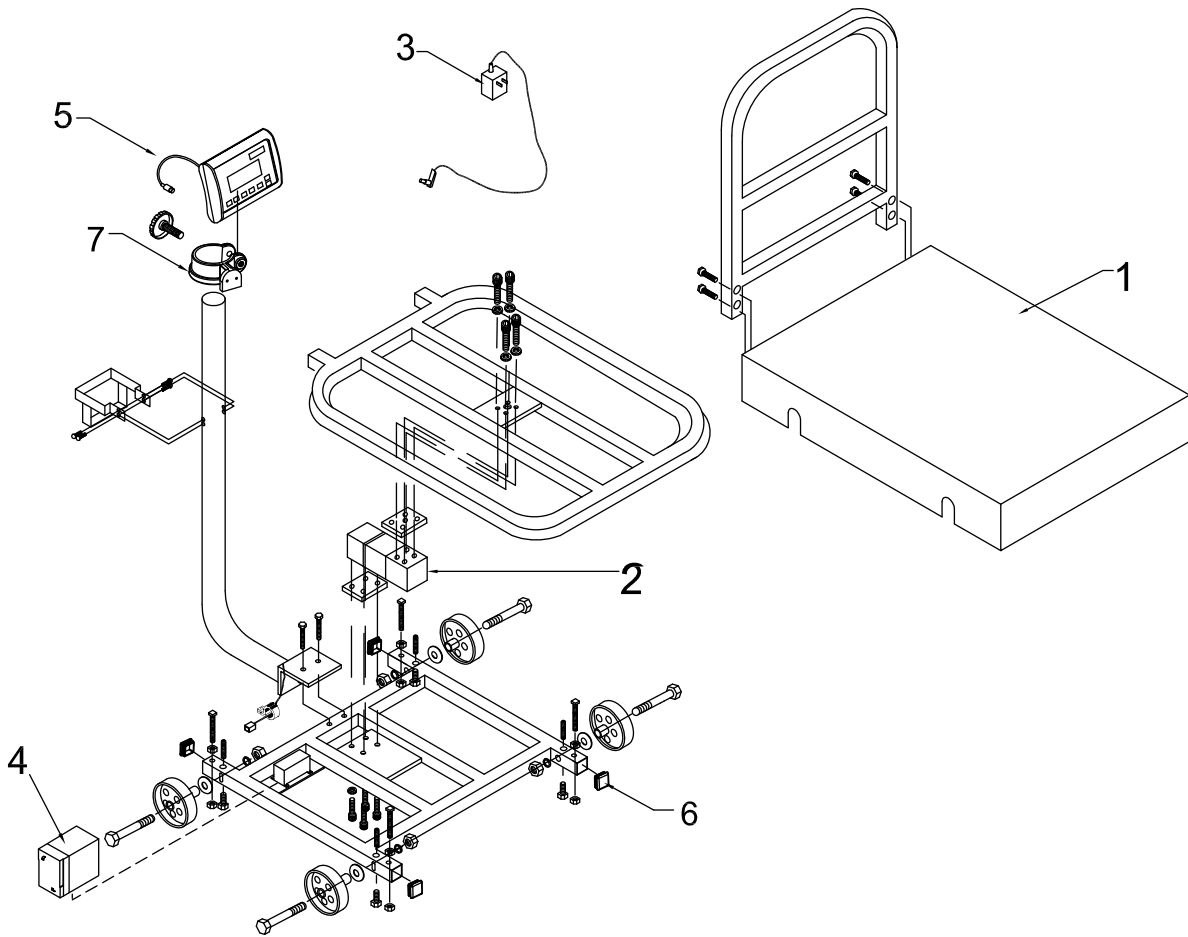
Line: Electronic Scale

Brand: TORREY

Model: EQM-200/400 USA , EQM-400/800 USA

Page 1-14

FROM THE SERIAL NUMBER: G13-000097 (EQM200-NT)  
G14-000141 (EQM400-NT)





## RECEIVING SCALE

Line: Electronic Scale

Brand: TORREY

Model: EQM-200/400 USA , EQM-400/800 USA

Page 1-14

No.	Description.	Code
01	EQM 200/400 PLATE	36500017
02	WEIGHT SENSOR 300 KG/600 LB	46601107
03	AC/DC POWER SUPPLY 110/220 VCA 9Vcc 500 mA	21900706
04	6v 2.5 AH BATTERY	21900490
05	8P MALE DINN CONNECTOR NOT POL S/T ASSEMBLED	46600902
06	PLASTIC PLUG FOR SQUARE TUBE 1 1/2" X 1 1/2"	22400191
07	PLASTIC SUPPORT "C"	12400162

FOR THE EQM400-NT MODEL:

No.	Description.	Code
02	500 LOAD CELL MOD. 1250 LOAD CELL. ASSEMBLED	46600114

# RECEIVING SCALE

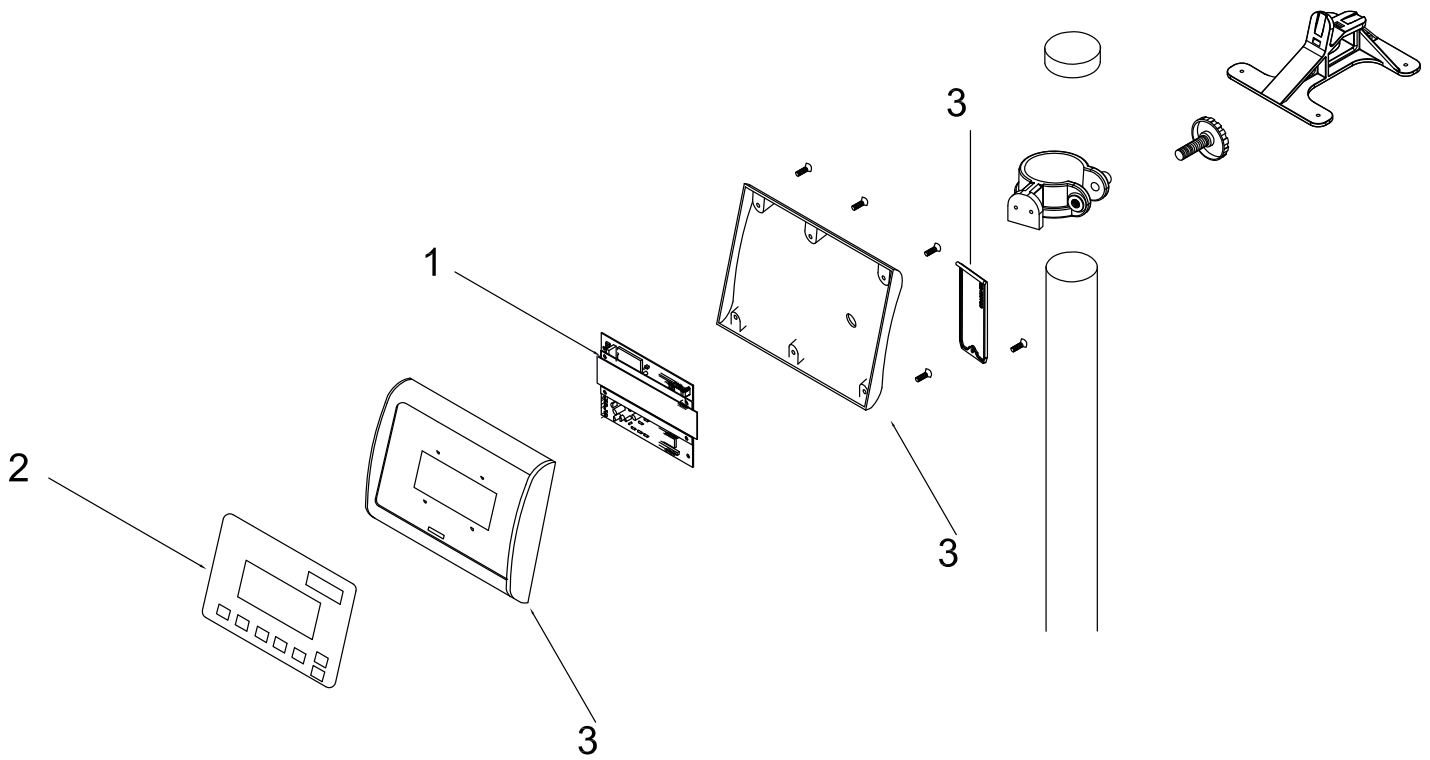
Line: Electronic Scale

Brand: TORREY

Model: EQM-200/400 USA , EQM-400/800 USA

Page 2-13

FROM THE SERIAL NUMBER: F10-000001 (EQM200-NT)  
F10-000001 (EQM400-NT)





## RECEIVING SCALE

Line: Electronic Scale

Brand: TORREY

Model: EQM-200/400 USA , EQM-400/800 USA

Page 2-14

No.	Description.	Code
01	MASTER BOARD TMEQMSR2 ASSEMBLED	46600788
02	MEMBRANE SWITCH EQM N.D	20200021
03	EQM MODULE'S (CASE) KIT	36700348

# RECEIVING SCALE

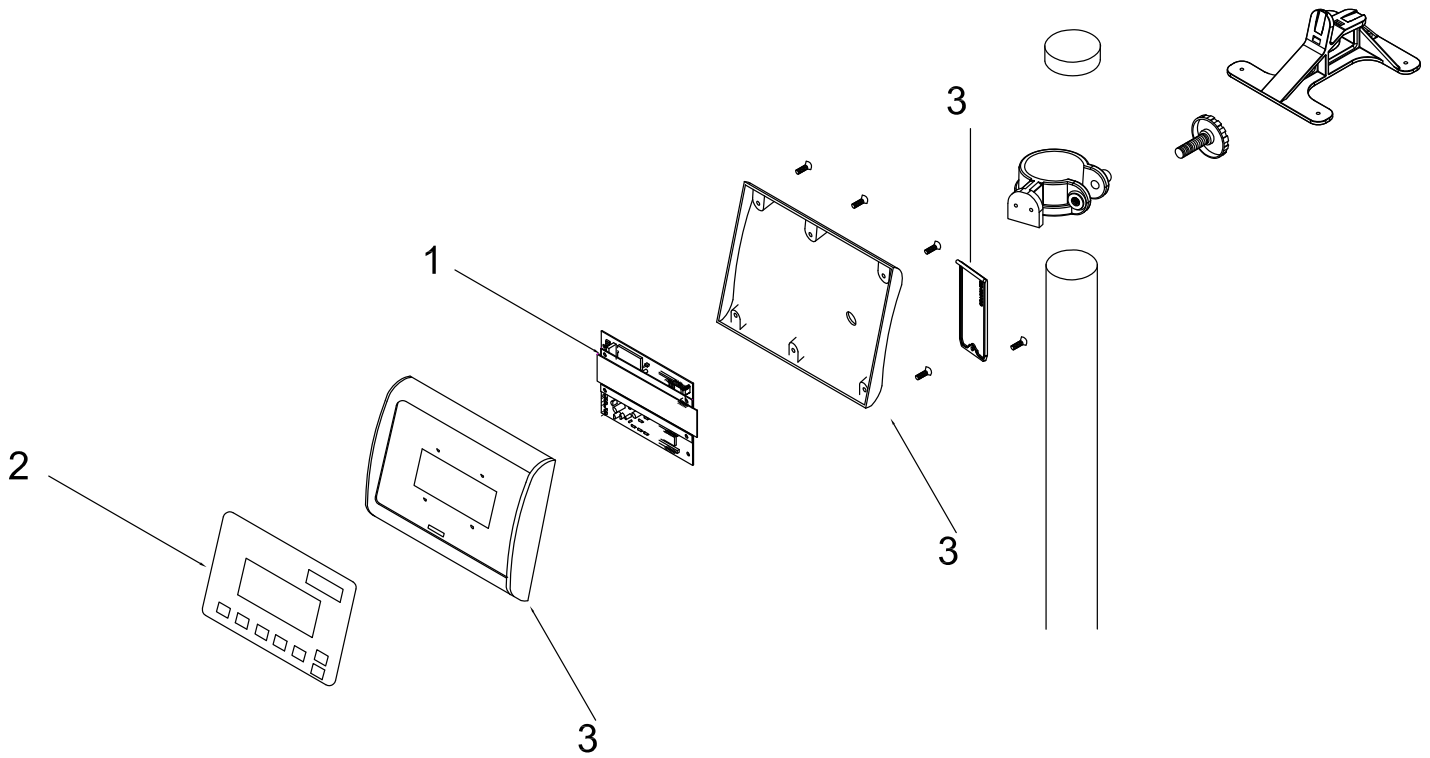
Line: Electronic Scale

Brand: TORREY

Model: EQM-200/400 USA , EQM-400/800 USA

Page 2-14

FROM THE SERIAL NUMBER: G13-000097 (EQM200-NT)  
G14-000141 (EQM400-NT)





## RECEIVING SCALE

Line: Electronic Scale

Brand: TORREY

Model: EQM-200/400 USA , EQM-400/800 USA

Page 2-14

No.	Description.	Code
01	MASTER BOARD TMEQMSR2 ASSEMBLED	46601243
02	MEMBRANE SWITCH EQM N.D	20200589
03	EQM MODULE'S (CASE) KIT	36700348



# RECEIVING SCALE

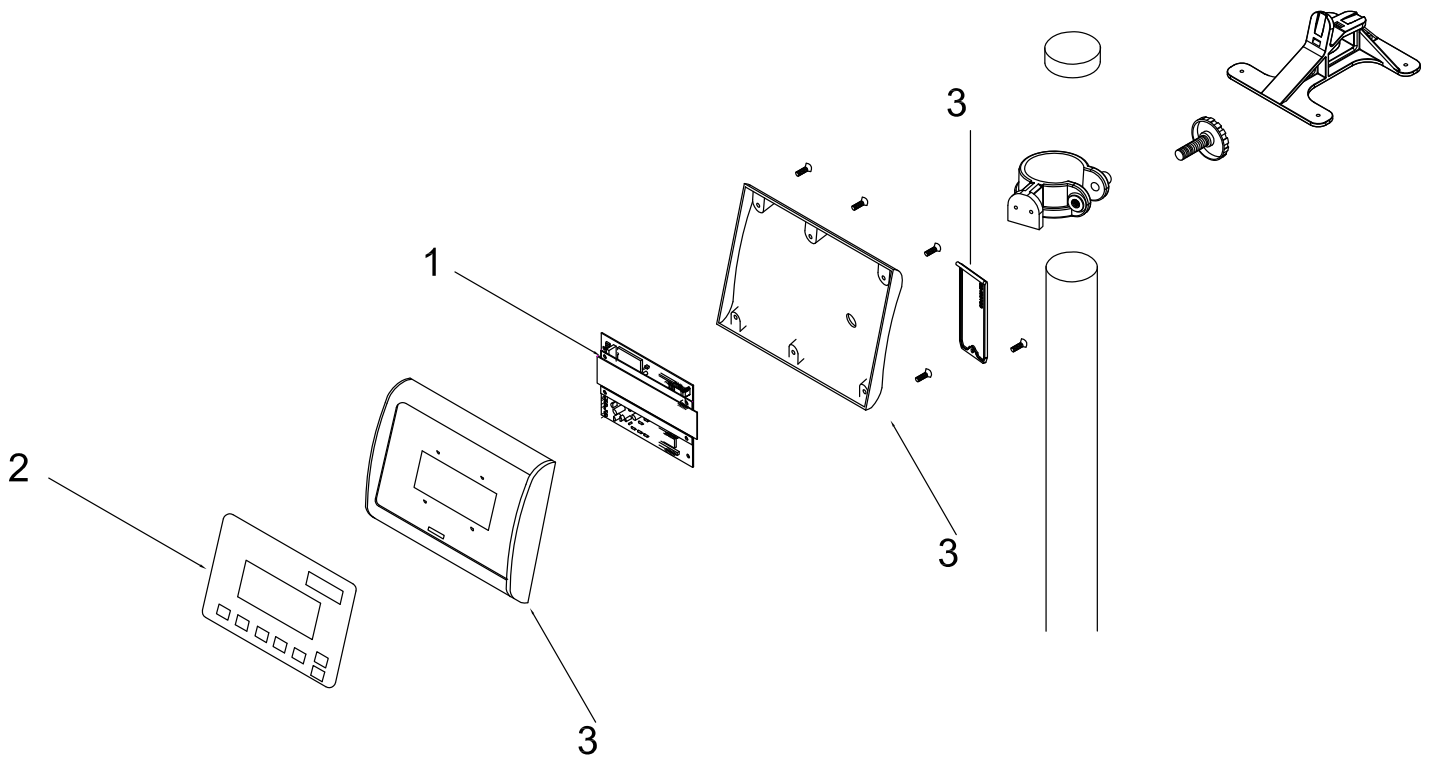
Line: Electronic Scale

Brand: TORREY

Model: EQM-200/400 USA , EQM-400/800 USA

Page 2-23

FROM THE SERIAL NUMBER: F23-000101 (EQM200-NT)  
F23-000101 (EQM400-NT)





## RECEIVING SCALE

Line: Electronic Scale

Brand: TORREY

Model: EQM-200/400 USA , EQM-400/800 USA

Page 2-23

No.	Description.	Code
01	MASTER BOARD EQM ASSEMBLED	46601553
02	MEMBRANE SWITCH EQM N.D	20200589
03	EQM MODULE'S (CASE) KIT	36700348