



USER'S MANUAL
CRANE SCALE

SERIE CRS



BEFORE OPERATING YOUR SCALE, READ THIS MANUAL COMPLETELY



INDEX

INTRODUCTION	3
IMPORTANT WARNINGS	3
SCALE PARTS	4
TECHNICAL SPECIFICATIONS	5
INCLUDED ACCESSORIES	5
DISPLAY (NAME AND LOCATION OF PARTS)	6
SCALE OPERATION WITHOUT REMOTE CONTROL	7
OPERATION	7
USE OF ZERO	8
DISPLAY MESSAGES	8
SCALE OPERATION WITH REMOTE CONTROL	9
USE OF TARE	10
FIXED WEIGHT	11
ADDITION OF WEIGHTS [M+] KEY	11
HOW TO READ THE WEIGHTS STORED IN MEMORY	12
HOW TO CLEAR MEMORIES	12
DISPLAY LIGHT INTENSITY	12
SWITCH UNITS	12
BATTERY VERIFICATION	13
LOW VOLTAGE	13
ENERGY SAVE AND POWER OFF TIMER FUNCTION	13
BATTERY RECHARGE	13
MAINTENANCE AND CLEANING	14
TROUBLESHOOTING GUIDE	15

INTRODUCTION

We appreciate that you have chosen this product we assure you that you will get the maximum satisfaction of the new acquisition for your business. We suggest you to read carefully this manual and make sure to keep it at hand for later consultations.

IMPORTANT WARNINGS

- 1.- Do not open your scale on your own, your warranty will be canceled.
- 2.- Never press the keyboard with objects such as pencils, pens, knives, etc.
- 3.- Use a 12Ø VAC to 9vdc 1,5a adapter, avoiding overload or voltage variations.
- 4.- Never wash the scale using a flow of water. This can damage the electronic components. For more information read "maintenance and cleaning" section.
- 5.- Do not use solvents or detergents for cleaning only use a damp rag.
- 6.- Only authorized and qualified personnel should check and repair your scale.
- 7.- Do not surpass the maximum capacity of your scale (see technical specifications.)
- 8.- Before operating the scale, verify the battery voltage (see battery verification)
- 9.- Periodically recharge the battery (if the battery is complete charged, the maximum time of continuous use is of 8Øh).
- 10.- Verify if the hook, stud and the conjunction parts of the scale are in good conditions.
- 11.- The scale should remain "on" during 3 to 5 minutes before operate. It



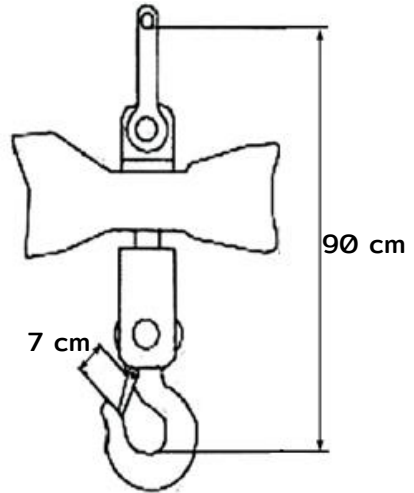
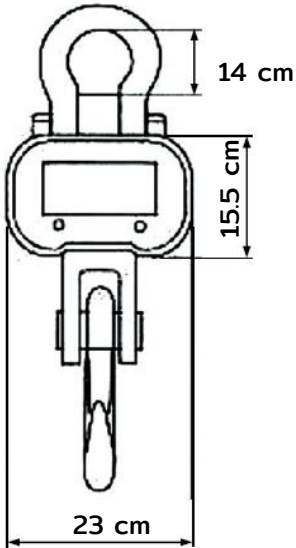
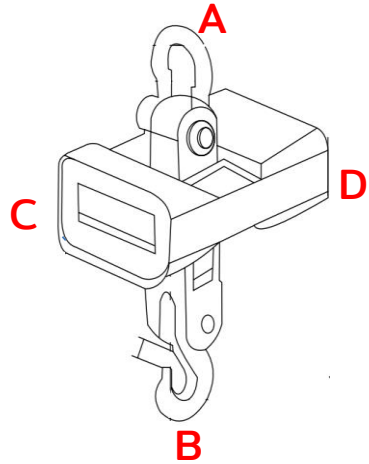
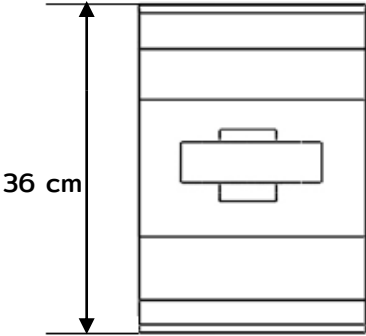
WARNING

To reduce the risk of short circuit in your do not open it, do not use parts that are not original only authorized personnel not following this instruction can cause injury.



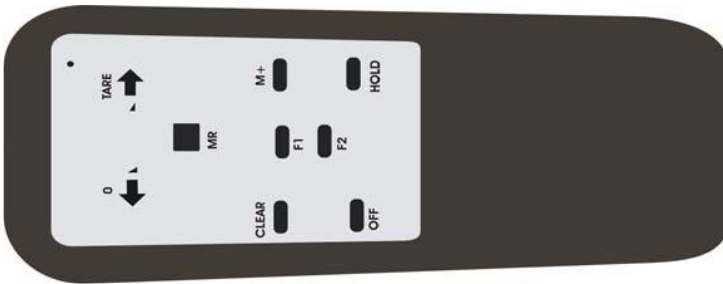
SCALE PARTS

- A. Shackle
- B. Hook
- C. Display
- D. Battery



INCLUDED ACCESSORIES

- 1.- POTENZA ADAPTER ac/dc 9V 60 Hz 1,5 A
- 2.- REMOTE CONTROL.
- 3.- 2 BATTERIES AA (FOR THE REMOTE CONTROL).

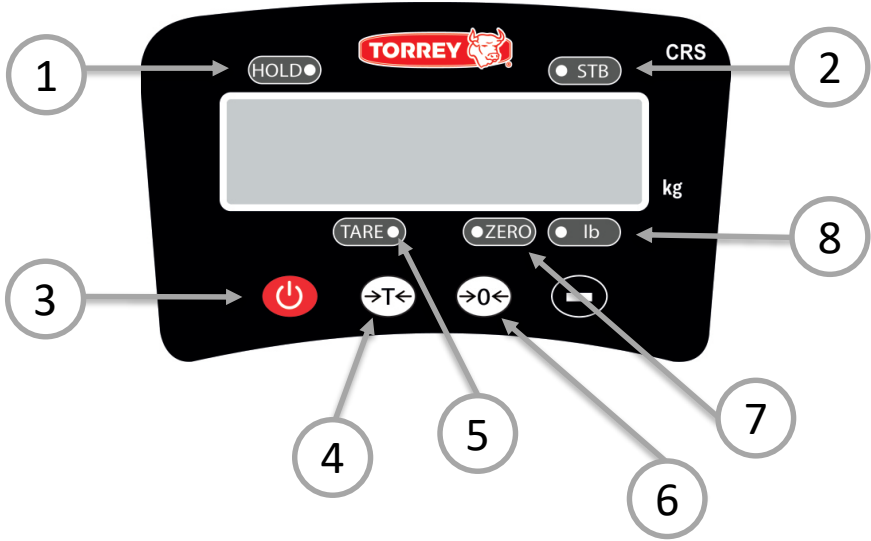


TECHNICAL SPECIFICATIONS

MODELO CRS 5000
MAX. 5000kg/10000lb MIN. DIV 2kg / 5lb TEMP OPER -10°C A 40 °C (14°F A 104 °F) BATTERY 6V/10AH



DISPLAY (NAME AND LOCATION OF PARTS)



- 1.- **Hold indicator** .- Indicate that the weight was fixed by the user.
- 2.- **Stable indicator**.- Indicate that the weight is stable
- 3.- **ON/OFF key**.- Turns on and off the Scale
- 4.- **Tare key**.- Tare a weight in the scale
- 5.- **Tare indicator**.- Indicate that the tare function is active
- 6.- **Zero key**.- Reference the scale to zero
- 7.- **Zero indicator**.- Indicate that the scale is stable on zero
- 8.- **Pounds indicator**.- Turns on when the scale is weighing in pounds

SCALE OPERATION WITHOUT REMOTE CONTROL

1.- To turn on or turn off the scale, press the [on/off] key until you hear the beeper the key must be press around 10 Seconds in order to turn off the scale. When you turn on the scale, it will show [88888] then [-----] and the actual voltage of the battery [u 6.**] Once that the scales is ready to be use. The display will show [0]kg, and the zero indicator will turn on.

2.- Press the [tare] key, if you don't want to consider the containers weight during the operation.

OPERATION

Press the [TARE] key

DISPLAY..... [0]

Note: after hang the container in the scale press the [tare] key, and the display will show [0] at the same time the tare indicator will "turn on". When you put the product in the container. The display will show only the product weight, without the container .

To exit of this function remove the container and press the [tare] key again

IMPORTANT WARNING

The tare function is subtractive to the maximum capacity of the scale. Example: if we have a container that weigh 60 kg, the scale will only be able up to 440 kg of product in order to complete the maximum capacity.



USE OF ZERO

It is possible for the scale to show a number in the display without having any product on the scale, due to voltage variations, rough handling, or some other factor, you will reference the scale to zero.

OPERATION	DISPLAY
PRESS THE [→O←] KEY	[0]

If your scale is referenced to zero, the zero indicator will “on” in the scale.

DISPLAY MESSAGES

DISPLAY	INDICATION
[OVER]	OVERLOAD
[ADERR]	LOAD CELL DAMAGE
[CLR]	CLEAR
[SHIFT]	CONVERSION
[SAVE]	SAVE VALUE
[Lb]	LOW BATTERY
[U 6.**]	BATTERY VOLTAGE
[END]	END
[OFF]	TURN OFF

SCALE OPERATION WITH REMOTE CONTROL

TURN OFF THE SCALE

Press the [off] key on the scale, for 10 seconds in order to turn off the scale, the display will show [off]

Note: the scale can't be turn on with the remote control

USE OF ZERO

The scale could show a number in the display without having any product on the scale, due to voltage variations, rough handling, or some other factor, in this case your scale must be referenced to zero.

OPERATION

DISPLAY

PRESS THE
[→0←] KEY

[0]

If your scale is referenced to zero, the zero indicator will "on" in the scale.



USE OF TARE

- When you wish to weight a product in a container and you do not want to consider the container's weight during the operation,

OPERATION	DISPLAY	
PRESS THE [TARE] KEY	[0]	Note: after hang the container in the scale press the [tare] key, and the display will show [0] at the same time the tare indicator will “turn on”. When you put the product in the container. The display will show only the product weight, without the container.

To exit of this function only remove the container and press the [tare] key

-If you know the container’s weight you can introduce the tare with the following sequence.

OPERATION	DISPLAY	DESCRIPTION
PRESS [MR]	[SHIFT]	Indicate you are in the tare entering Procedure
PRESS [TARE]	[0000.0]	The first digit blinking waiting you Entering a value.
PRESS [→O←]	[_000.0]	Allow change the digit value.
PRESS [TARE]	[0_00.0]	Allow change the position digit.
PRESS [MR]	[-****.*]	Shows the tare value with the negative Sign

Note: the keyboard tare value must be introduced in kilograms.

IMPORTANT WARNING

The tare function is subtractive to the maximum capacity of the scale. Example: if we have a container that weigh 60 kg, the scale will only be able up to 440 kg of product in order to complete the maximum capacity.

FIXED WEIGHT

The scale has a fixed weight function to fix the actual weight in the display. This function is normally use when you want to register a weight that is oscillating.

PRESS THE [HOLD] KEY	In the hold indicator will appear a red light blinking indicating that the weight has been fixed.
----------------------	---

In this moment the weight is fixed in the display, due to this the scale will not show any change even if you modify the actual weight.

To disable this function press the [hold] key again.

ADDITION OF WEIGHTS [M+] KEY

In order to use this function the weight showed in display has to be stable for 3 sec. At least. If the weight is not stable you can press the [hold] key; once the weight is stable press the [m+] key. The scale will shows the next [no. ...] (Number of weight stored) [h *****] [l *****] must symbolic digit of the total weights stored, minimum symbolic digit of the weights stored

HOW TO READ THE ADDITION OF WEIGHTS

OPERATION	DISPLAY	Description
PRESS [MR]	[SHIFT]	Memory access
PRESS [M+]	[No.***]	Shows the total number of weights stored
PRESS [TARE]	[H*****]	Shows the high part of the addition of weights done *
PRESS [TARE]	[L*****]	Shows the low part of the addition of weights done *

Note: the display only can shows 5 digits, the result of the addition of weights is showed in 2 parts, beginning for the 4 digits more significant. Example: if the addition of weight is equal to 162515, first appear the high part[h 1] then press the [tare] key and will appear the low part [62515]



HOW TO READ THE WEIGHTS STORED IN MEMORY

OPERATION	DISPLAY	DESCRIPTION
PRESS [TARE]	[No. 1]	Shows the position of memory where is the weight Stored. Beginning with the last weight done
PRESS [TARE]	[*****]	Shows the weight of memory
PRESS [TARE]	[No. 2]	Shows the position of the next weight stored.
PRESS [TARE]	[No. **]	Showing the weights stored to the last position.
PRESS [→0←]	-----	Return one memory position.
PRESS [TARE]	[END]	End process after shows the last memory position.

Note: you can also end the operation pressing the [mr] key

Note2: if you try to access this routine without saving any weights the display will show [no acc]

HOW TO CLEAR MEMORIES

Press the [clear] key and then the [mr] key, with this you will delete all the stored previously weight.

DISPLAY LIGHT INTENSITY

In order to increase or decrease the luminosity of the display. Press the [f1] key. The display has 5 level of luminosity.

SWITCH UNITS

In order to switch units, press the [mr] key, the display will show [shift], now press the [hold] key , the display will show [un = x]

Note: when un= 0 the scale weights in kilograms, when un = 1 the scales weights in pounds

BATTERY VERIFICATION

- 1.- When you press the [on/off] key of the scale, the display will show [u 6.**] Indicating the actual battery voltage.
- 2.- When you press the [off] key of the control for 10sec., The display will show [u 6.**]Indicating the actual battery voltage.
- 3.- Press the [mr] key, the display will show [shift], then press the [f1] key, the display will show [u 6.**] Indicating the actual battery voltage., Press the [mr] key to return to weight mode. Note: keep the battery voltage under 6v

LOW VOLTAGE

When the battery have a voltage of [u 5.80] , the display start to blinking, but can still working while the battery remain in this value of voltage, with a lower voltage the scale turn off.

ENERGY SAVE AND POWER OFF TIMER FUNCTION

When the scale is not in use for 15 minutes or more the display will show a blinking bar [-], when you add weight to the scale it will continue working normally. When the scale is not used for 75 minutes or more will turn off automatically.

BATTERY RECHARGE

Connect the ac/dc adapter, verify that the green light is "on", this indicates that the battery is recharging, when the light change to red the battery will be completely charged.

Note: the recharge time of the battery is of 8 hours approximately, a upper recharge time is not cause any damage in the battery. At full charge, the maximum time of continuous use is 80hours.



MAINTENANCE AND CLEANING

One of the greatest advantages of purchasing this scale model is that it requires minimum maintenance and it is very simple to keep it in favorable conditions.

- 1.- Do not use a flow of water to clean your scale. Use a damp rag and clean each component.
- 2.- To remove oil and greasy substances, use a dry and clean rag.
- 3.- Do not use detergents nor corrosive liquids while cleaning.
- 4.- Periodically check the jack (where the ac/dc power supply is inserted) to make sure it is in good condition. Check there are not signs of strokes or detachments.
- 5.- Periodically check the ac/dc power supply to make sure the ends are in good condition and the cable is not twisted or tangled.
- 6.- Do not expose your scale to temperatures below $-10\text{ }^{\circ}\text{C}$ ($14\text{ }^{\circ}\text{F}$) or above $40\text{ }^{\circ}\text{C}$ ($104\text{ }^{\circ}\text{F}$).
- 7.- Never press the keyboard with objects such as pencils, pens, knives, etc.
- 8.- Do not open your scale on your own.
- 9.- Only authorized and qualified personnel should check and repair your scale.

TROUBLESHOOTING GUIDE

Before you call for service to your authorized distributor. First check this manual to avoid a misunderstanding of the operation and use of the functions. If everything is correct, try to correct the problem according to the following list. If you do not find the problem, contact your authorized distributor.

PROBLEM	POSSIBLE CAUSE	DESCRIPTION
The scale does not operate	Battery damaged	Replace the battery
	Battery terminals are slack	Adjust the terminals
	Low battery	Connect the adapter and recharge the battery
The display is not stable	The voltage is low	Turn off the scale and recharge the battery
The battery light does not operate	Adapter damaged	Replace the adapter
	Adapter does not feeding correctly	Verify the electric current output
Display is not stable	The weight is not stable	Stabilize the weight
	The humidity is affecting to the scale	Put the scale in a dry place.
When empty the minutes scale not shows "0" kg	After turn on the scale, is used immediately	Use it in a time of 3-5 the minutes
	The scale has been in the floor for a long time	Keep it hang in a warehouse
The error over weight is big	The product was hang wrongly	Balance the hook
The distance of the remote control is too short	The receive window is dirty.	Clean the receive window
	The remote control battery is low	Replace the remote control batteries
The battery voltage is not increase	The battery is damaged	Replace the battery
	The outlet of the electric current is not operate	Verify if exist electric current



**ELECTRONIC
SCALE**

www.torrey.net