



OWNER'S MANUAL

ELECTRONIC SCALE



EQB-W SERIES

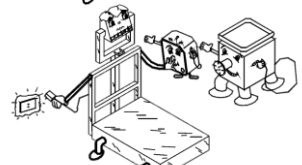
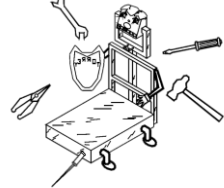
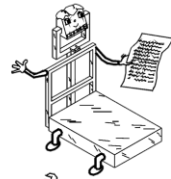
BEFORE OPERATING THIS SCALE, PLEASE READ THIS MANUAL THOROUGHLY.

INDEX

Index	2
Important warnings	3
Introduction.	4
Indicator parts	5
Membrane keyboard	6
Display (digits and indicators).	7
Power off time function.	7
The rechargeable battery	8
Maintenance and cleaning	8
Troubleshooting	10
Technical specifications	11
Additional data	13

IMPORTANT WARNINGS

1. In case have problema wiht the scale, firts read the warranty condiction.
2. Do not open the scale on your own. Your warranty will be canceled.
3. Never prees the keyboard wiht object such as pencils, pens, knives, etc.
4. Use a Vac outlet exclusive for the scale. Avoiding overload or voltaje variations.
5. Never wash the scale using a flow of wáter. This can damage the electronic components. For more information read "Maintenance and cleaning" section.
6. Protect the scale from insects (mainly from roaches), they can seriously damage to electronic components. Use solid products againts roaches.
7. Do not drop or hit the scale wiht nthe product to be weighted because as time goes by it will damage the weight sensor.

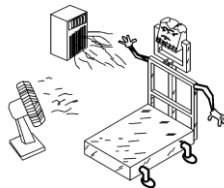


IMPORTANT WARNINGS

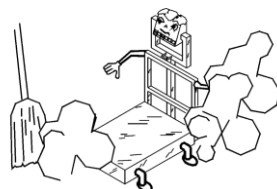
8. Do not use solvents or detergents for cleaning only use damp rag.



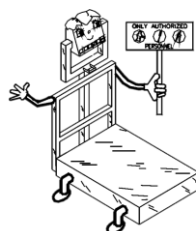
9. Do not place fans or heaters directed towards the scale.



10. Do not place the scale where there is a lot of moisture and/or dust.



11. Only authorized and qualified personnel should check and repair your scale.



IMPORTANT!

Battery should be recharged for 10Hrs before using the scale for the first time.



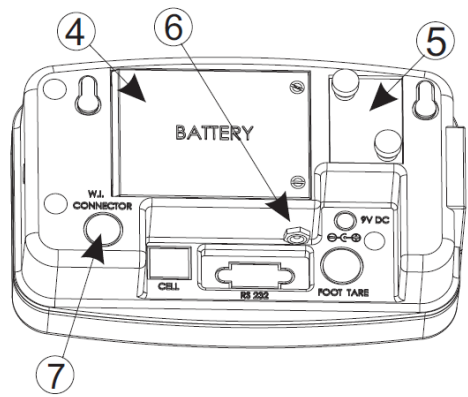
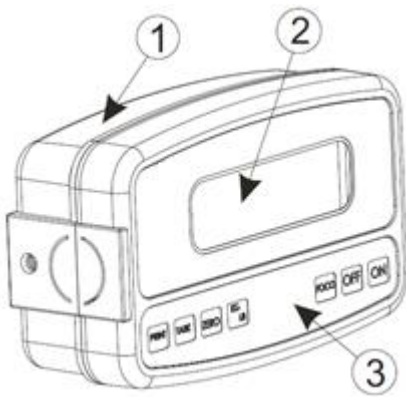
WARNING!

Do not open the scale

Caution: to reduce the risk of short circuit in your scale, do not remove the cover or substitute any of the parts for others that are not original only authorized distributor..

INDICATOR PARTS

- 1.- Cabinet
- 2.- Display: indicator parts
- 3.-Membrane keyboard
- 4.-Rechargeable battery lid
- 5.- Security seal: used for calibrate the scale. Only for authorized personnel.
- 6.- Jack: connection for theac/dc powersupply.
- 7.- Cell connector: receives the weight sensor information.



MEMBRANEKEYBOARD

Turn on the scale



Turn off the scale



Turn on the backlight



Switch units between kg and lb



Not apply for module wi-w



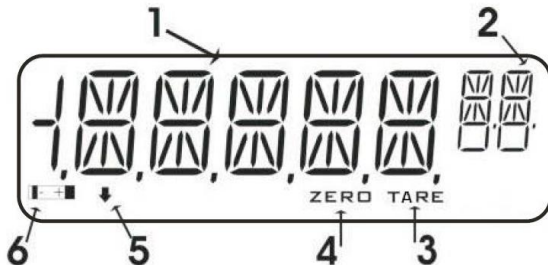
This key adjust to zero the initial reference, you can use it when you want to eliminate a weight permanently. Also it is possible to have a weight displayed with out having any weight on the plate. Press the zero key to take a new zero reference.



You use this key when you wish to weight a product in a container but you do not want to consider the containers weight. Place the container over the plate and press the tare key, in this moment the display shows zero weight and the tare indicator turns on. Now the indicator shows the net weight. If the tare weight is removed, the display shows this weight with a negative sign, to exit from this mode remove all the weight on the plat form and press the tare key again.

Note: The tare and zero key are subtractive from the maxim capacity, for example, if you have a 50 kg indicator and you tare or zero 5kg, the maximum weight that you can weigh is 45 kg.

DISPLAY (DIGITS AND INDICATORS)



1.-Weight section: displays the weight	4.- Zero indicator: turns on when there is a zero balance condition.
2.-Unit section:displays kg or lb.	5.- Ac/Dc power supply indicator : turns on when the ac/dc adaptor is connected.
3.-Tare indicator: turns on when the Tare function is activated.	6.-Low battery indicator : turns on when the battery needs to be recharged.

POWER OFF TIME FUNCTION

This function is active when the indicator is working without the AC/DC power supply. If the indicator is not used for a period of 15 minutes, it automatically will turn off

RECHARGEABLE BATTERY

Before use your scale by first time, recharge the battery during 5 hours, To do it, follow the next steps.

When the display shows the low battery indicator, the battery needs to be connected to the AC/DC power supply in order to be recharged. It is possible to

Continue operating the indicator for a short period of time, but after short time The signal "lowbat" appears and the indicator turns off by it self.

In order to recharge the battery connect the AC/DC power indicator for 5 hours and turned off the scale. The battery can operate continually for 20 hours, with the backlight turned off.

The charging capacity of the rechargeable battery decreases with each cycle. If

The indicator does not turn on after recharge the battery. It is time to replace the battery. (Contact to your authorized distributor)

MAINTENANCE AND CLEANING

One of the greatest advantages of purchasing this scale model is that it requires minimum maintenance and it is very simple to keep it in favorable conditions.

- Do not use a flow of water to clean your scale. use a damp rag and clean each of these components daily: plate and keyboard.
- To remove oil and greasy substances, use a dry and clean rag, rubbing dirty area several times.
- Do not use detergents or corrosive liquid while cleaning.
- Do not place the scale where is a lot of moisture and/or dust.
- When you clean de scale make sure that there are not any papers, pieces of meat or any other kind of material under the plate or under the plate-holder that could obstruct the adequate operation of your scale.
- Periodically check the jack (where the ac/dc power supply is inserted) to make sure it is in good condition. that is, check there are not signs of strokes or detachments.

- Periodically check the ac/dc power supply to make sure the ends are in good condition. and that the cable is not twisted or tangled.
- Regular check the scale to assure it is correctly leveled with its four leveling bases well supported.
- Do not expose your scale to temperatures below -10°c (14°f) or for above 40°c (104°f).
- Never press the keyboard with objects such pencils, pens knives, etc.
- Do not drop hard the product to be weighted on the plate or the scale because with the time it could damage the load cell.

TROUBLESHOOTING GUIDE

Before you call for service to your authorized distributor, check this manual again to avoid a misunderstanding.

PROBLEM	POSSIBLE CAUSE	SOLUTION
THE SCALE NOT OPERATE	THERE IS NOT ELECTRIC CURRENT.	WITH A MULTIMETER CHECK THE CURRENT OUTLETS.
	AC/DC POWER SUPPLY CABLE HAS A FALSE CONTACT.	CHECK THE AC/DC POWER SUPPLY TERMINALS, IF IT IS POSSIBLE, CHECK WITH ANOTHER AC/DC POWER SUPPLY.
	LOW BATTERY.	CONNECT THE AC/DC POWER SUPPLY IF OPERATES, THEN REPLACE THE BATTERY.
THE SCALE SHOWS DIFFERENT WEIGHTS WITH THE SAME WEIGHT	MATERIAL OBSTRUCTING THE CORRECT MOVEMENT.	CHECK IF EXISTS MATERIALS UNDER THE PLATFORM. IF SO, REMOVE THEM AND CHECK THE OPERATION AGAIN.
THE WORD "HELP" APPEARS IN THE DISPLAY	THE SCALE WAS TURNED ON WITH A BIG WEIGHT ON THE PLATE.	REMOVE THE WEIGHT AND TURN OFF THE SCALE AND THEN TURN ON IT ON AGAIN.
"UNLOAD" MESSAGE APPEARS ON DISPLAY	WEIGHT BIGGER THAN 20 % OF THE LOAD CELL CAPACITY ON THE PLATE.	REMOVE THE WEIGHT OF THE PLATFORM OR LOAD CELL AND TURN "ON" THE SCALE AGAIN

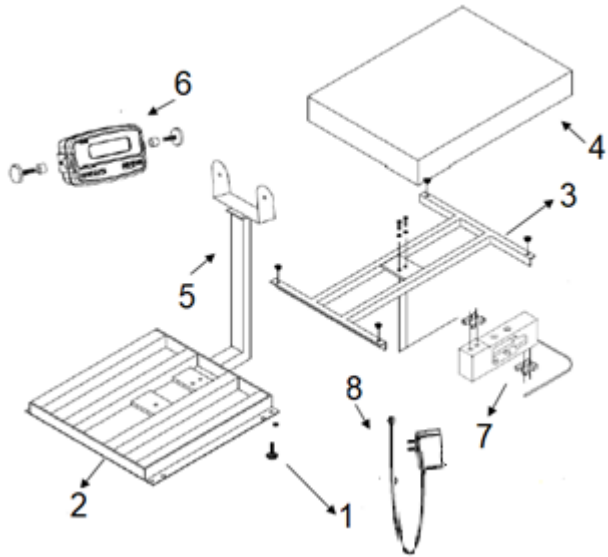
NOTE

IN ORDER TO TAKE A NEW ZERO REFERENCE, IS NECESSARY PRESS THE KEYS KG-ZERO-BACKLIGHT DURING THE COUNTDOWN FROM 5 TO 0. THE SCALE WILL SHOW THE MESSAGE "RZERO". PRESS THE BACKLIGHT KEY, THE INDICATOR WILL STARTA COUNTDOWN FROM 5 TO 0. IF IT IS UNSTABLE WILL SHOW THE MESSAGE "UNSTAB". THE INDICATOR WILL SHOW 0 WEIGHT ANDIT WILL BECONFIGURED WITH THE NEW ZERO REFERENCE:

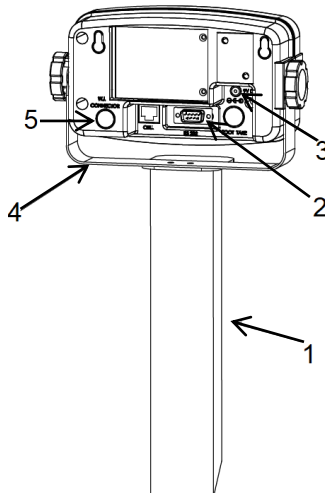
TECHNICAL SPECIFICATION. EQB20/40-W

Model EQB20/40-W
Max. Cap. 20kg/40lb Min. Div. 0.005kg/0.01lb Oper. Temp. -14°F to 104°F

1. Leveling Bases.
2. Base.
3. Plate holder.
4. Plate.
5. Turret.
6. Turret Display
7. Weight sensor.
8. AC/DC Power supply

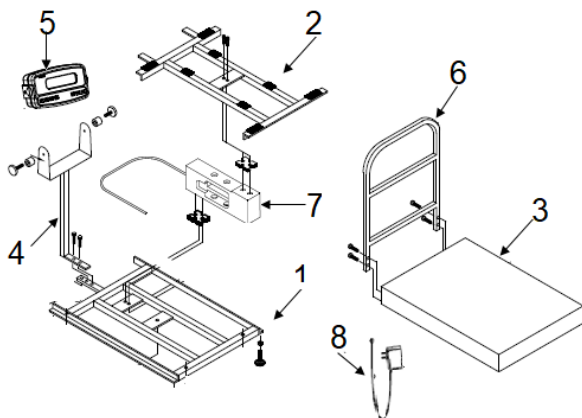


1. Turret.
2. Serial RS-232 connector.
3. Jack input .
4. Indicator holder.
5. Load cell input.



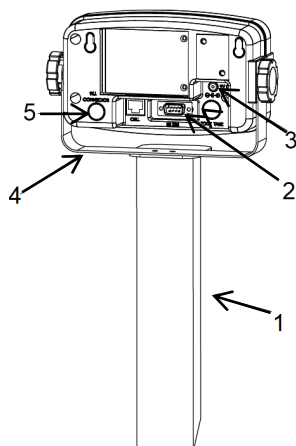
TECHNICAL SPECIFICATION. EQB50/100-W & EQB100/200-W

Model EQB50/100-W	Model EQB100/200-W
Max. Cap. 50kg/100lb Min. Div. 0.01kg/0.02lb Oper. Temp. -14°F to 104°F	Max. Cap. 100kg/200lb Min. Div. 0.02kg/0.05lb Oper. Temp. -14°F to 104°F



- | | |
|--------------------|------------------------|
| 1. Base. | 6. Protection fence. |
| 2. Plate holder. | 7. Weight sensor. |
| 3. Plate. | 8. AC/DC Power supply. |
| 4. Turret. | |
| 5. Turret display. | |

1. Turret.
2. Serial RS-232 connector.
3. Jack input .
4. Indicator holder.
5. Load cell input.



ADDITIONAL DATA

The serial number of this product can be found in the register plate under the scale. We suggest you that write the serial number and the scale model in the following spaces and hold them as proof of your acquisition and as identification in case of loss or to future request.

Distributor _____
Address _____
Telephone number _____
Purchase date _____
Purchase date _____
Serial number _____

We reserve the right to change any specification contained in this text without prior notice.



ELECTRONIC
SCALE

www.torrey.net