



# LABELING / PRINTING SCALES

## W-LABEL40LP



Model:

W-LABEL40L-P

- ✓ LCD display with embedded backlight
- ✓ Inkless thermal printer for labels and continuous paper
- ✓ Robust stainless construction
- ✓ Wifi and ethernet interface
- ✓ 350 PLU shortcut keys, organized in 10 pages
- ✓ 200,000 PLU memory storage
- ✓ Sales reports
- ✓ Windows software available
- ✓ "Scalelink" for IOS and Android



Tablet and PC  
connection



Thermal printer , tickets and tags



Free "scalelink" APP available

## Certifications



## Warranty

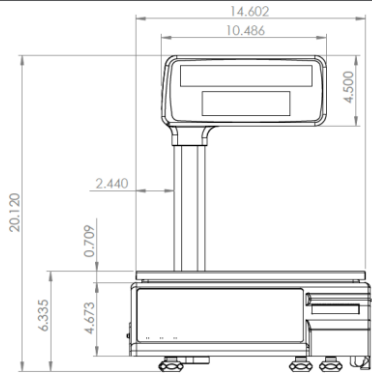




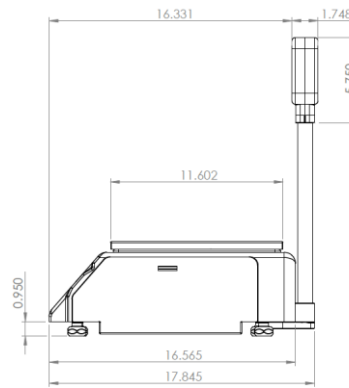
# LABELING / PRINTING SCALES

## W-LABEL SERIES

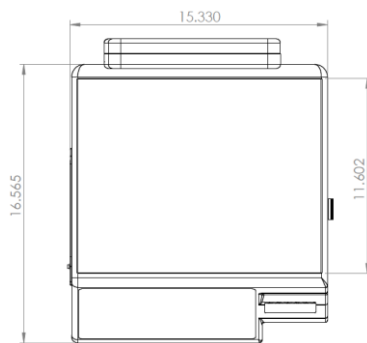
### Dimensions



Front view



Side view



Top View

### Technical specifications

#### Dimensions

<b>External dimensions</b>	W: 16.50" D:15.25" H: 21.0"
<b>Packing dimensions</b>	W: 20.0" D:26.0" H: 15 "
<b>Net weight</b>	25.05 lb
<b>Total weight (packing included)</b>	31.65 lb
<b>Plate dimensions</b>	W: 11.75" D: 15.00" H: 0.5"

#### Construction

<b>Cabinet material</b>	ABS Plastic
<b>Plate material</b>	Food grade stainless steel
<b>Plate holder</b>	Cast Aluminium
<b>Leveling feet</b>	4

#### Logistic data

<b>Units per pallet</b>	20
<b>Weight per pallet</b>	670.0 lb
<b>Dim. Per pallet</b>	44.88" x 51.96" x 78.740"
<b>Storage temperature</b>	-4°F to 122°F (-20°C to 50°C)

#### Electrical data

<b>Power supply</b>	100-240 Vca
<b>Amps</b>	1.2A/220V 2.4A/115V
<b>Cord length</b>	70.86"
<b>Lighting</b>	LED
<b>Plug type</b>	NEMA-5-15P
<b>Display</b>	LCD display with backlight

#### Performance data

<b>Capacity</b>	40 lb
<b>Minimal division</b>	0.01 lb
<b>Max. Tare</b>	39.99 lb

#### Additional data

<b>Communication</b>	ETHERNET, WIFI
<b>App available on Android and iOS</b>	App "scalelink" software
<b>Software PC available</b>	Software Admin scale WLabel
<b>Operation temperature</b>	14°F to 104°F (-10°C to 40°C)