



PC HSP RECEIPT PRINTER SCALE

Model:
PC80L-HSP



Capacity: 80 lb

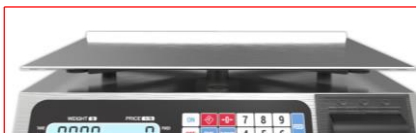
Product features

- ✓ 100 PLU memories
- ✓ High contrast display with backlight
- ✓ Battery operation (Also for printing)
- ✓ Sensitive keypad (faster operation)
- ✓ Total due and change computing
- ✓ Date and timestamp on receipt
- ✓ Detailed printing for each item on receipt
- ✓ Thermal printer (Tonner less)

Technical specifications

| | |
|---|-----------------------------|
| Capacity: | 80 lb |
| Minimal división: | 0.02 lb |
| Max. Tare: | 40 lb |
| Printer width: | 48 mm |
| Printing speed with AC Power operation: | 100 mm/s |
| Printing speed with Battery Operation: | 40 mm/s |
| Printing head life: | 100 km |
| Backlight color: | White |
| Input voltaje | 100 to 240Vac, 50/60Hz,3A |
| Operation temperature | 14 to 104 °F (-10 to 40 °c) |
| Storage temperature | -20 to 50 °c (-4 to 122°F) |
| Net weight | 18 lb |
| Total weight (package included) | 19.62 lb |

Product highlights



Large stainless steel plate



Capacitive keyboard

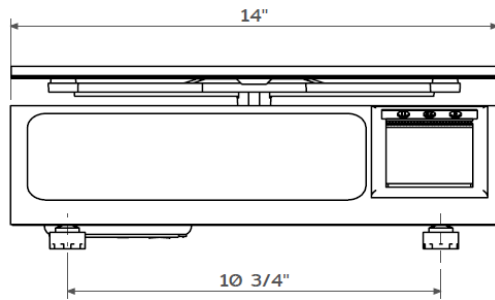


Faster printing

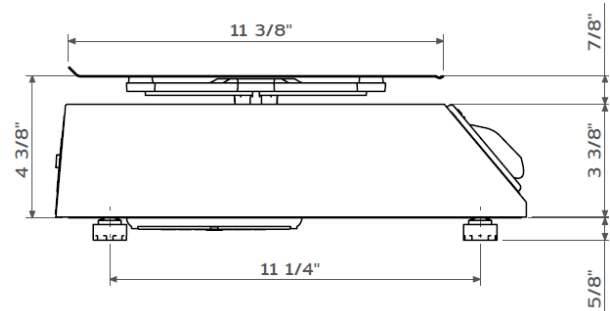


PC HSP RECEIPT PRINTER SCALE

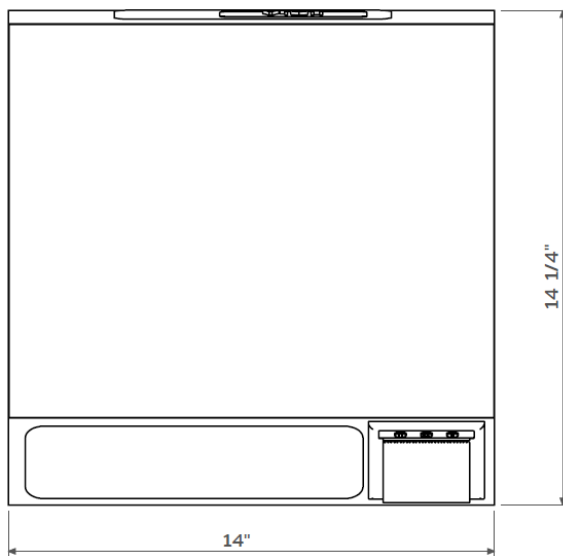
Dimensions:



Front view



Side view



Top View

Product attributes

- Easy to operate (sensitive keypad)
- Dual display (back and front)
- Adjustable leveling feet
- Stainless Steel construction
- Paper out detection
- Fast receipt printing
- Battery level indicator

Certifications



Warranty

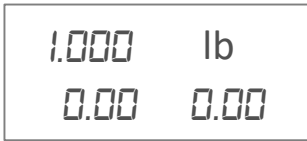




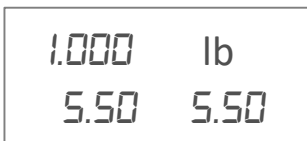
RECEIPT PRINTER SCALE

Operation:

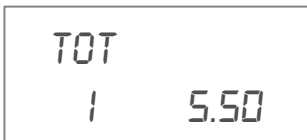
a) Place the weight on the scale's plate.



b) Recall a PLU using a direct Access key or the "RCL" key.



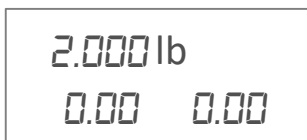
c) With a stable weight, press the "M+" key to add the sale to the ticket.



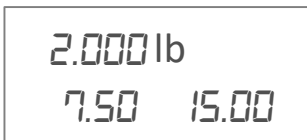
d) Remove the weight from the scale to sale another PLU.



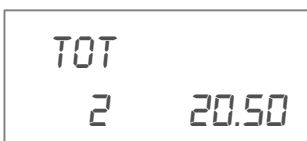
g) Place the weight on the scale's plate.



f) Recall another PLU using a direct Access key or the "RCL" key.



g) With a stable weight, press the "M+" key again to add the sale to the ticket.



Printing out

| | | | |
|--------------|----------|---------|---------|
| Jan-01-2019 | 12:00 | | |
| Ticket No. 1 | | | |
| PLU Id | Weight | Price | Total |
| ----- | | | |
| 1 | 1.000 lb | \$ 5.50 | \$ 5.50 |

Printing out

| | | | |
|--------|----------|---------|----------|
| PLU Id | Weight | Price | Total |
| ----- | | | |
| 1 | 1.000 lb | \$ 5.50 | \$ 5.50 |
| 2 | 2.000 lb | \$ 7.50 | \$ 15.00 |



PC HSP

RECEIPT PRINTER SCALE

Operation:

h) Press the "CHANGE" key in order to enter the cash for pay.

```
CASH
      50.00
```

i) Press "CASH" again in order to calculate the change.

```
CHANGE
      29.50
```

j) Wait to scale shows zeroes before start with another ticket.

```
0.000 lb
      0.00  0.00
```

Printing out

```
-----
Items: 2          Total :   $ 20.50
                  Cash  :   $ 50.50
                  Change:   $ 29.50
```

Sample of ticket

```
Jan-01-2019                      12:00
Ticket No. 1
PLU Id  Weight    Price    Total
-----
   1    1.000 lb  $ 5.50   $ 5.50
   2    2.000 lb  $ 7.50  $ 15.00
-----
Items: 2          Total :   $ 20.50
                  Cash  :   $ 50.50
                  Change:   $ 29.50
```