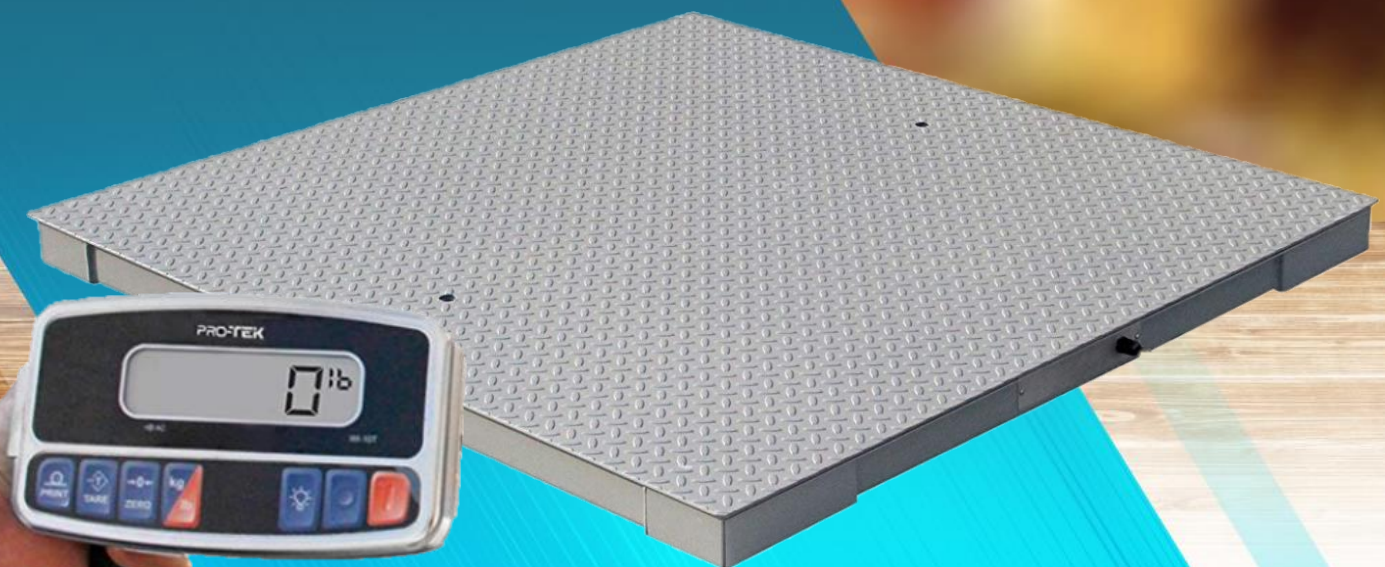




Floor scale

PLP SERIES

- Available in 5,000 and 10,000 lb capacities
- Electronic scale 100% accurate
- Easy to use
- Robust carbon steel construction
- Toggles between kilograms and pounds
- LCD display with backlight
- RS232 serial communication
- Tare function



Capacities	PLP 4x4 2500 / 5000 5000 lb / (2500 kg) PLP 4x4 5000 / 10000 10000 lb / (5000 kg) PLP 5x5 2500 / 5000 5000 lb / (2500 kg) PLP 5x5 5000 / 10000 10000 lb / (5000 kg)
Minimal division	PLP 4x4 2500 / 5000 1.0 lb / (0.5 kg) PLP 4x4 5000 / 10000 2.0 lb / (1.0 kg) PLP 5x5 2500 / 5000 1.0 lb / (0.5 kg) PLP 5x5 5000 / 10000 2.0 lb / (1.0 kg)
Max Tare	PLP 4x4 2500 / 5000 5000 lb / (2500 kg) PLP 4x4 5000 / 10000 10000 lb / (5000 kg) PLP 5x5 2500 / 5000 5000 lb / (2500 kg) PLP 5x5 5000 / 10000 10000 lb / (5000 kg)
Input voltage adapter	100 to 240 Ac 50/60 Hz
Output voltaje	9 Vdc 500 mA
Platform dimensión	PLP 4x4 2500/5000 47.24 x 47.24 in PLP 4x4 5000/10000 47.24 x 47.24 in PLP 5x5 2500/5000 59.05 x 59.05 in PLP 5x5 5000/10000 59.05 x 59.05 in
Operating temperature	14°F to 104°F (-10°C to 40°C)
Storage temperature	-4°C to 122°F (-20°C to 50°C)
Weight with packing	PLP 4x4 2500/5000 149.91 lb PLP 4x4 5000/10000 149.91 lb PLP 5x5 2500/5000 240.30 lb PLP 5x5 5000/10000 240.30 lb

Floor scale

PLP 4X4 2500/5000 5000/10000
PLP 5X5 2500/5000 5000/10000

BACKLIGHT

For a better view

ROBUST STRUCTURE

The most resistant in the market

RECHARGABLE BATTERY

Duration over 100 hours

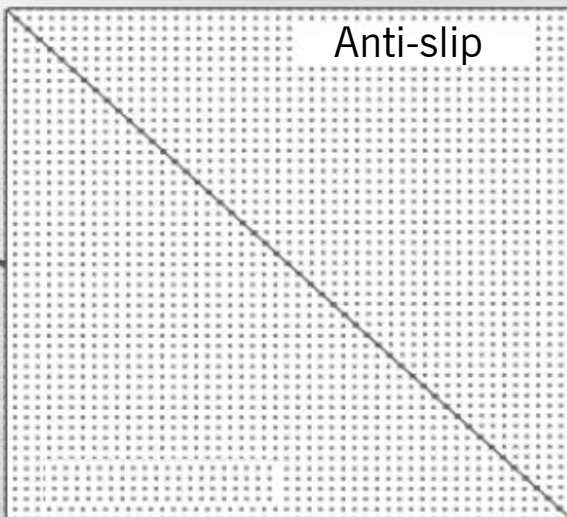
Electronic scale 100 % accurate

Exact weight

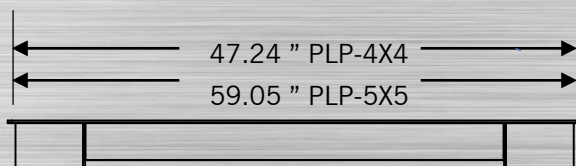
Available ramp accessory

R-PLP 4X4 2500/5000 5000/10000

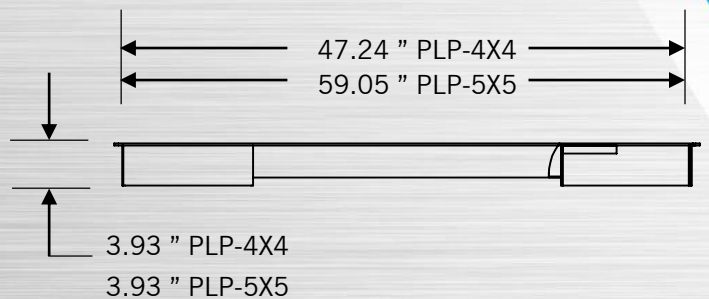
R-PLP 5X5 2500/5000 5000/10000



Top View



Front View



Side View

Certifications



Warranty



Distribuido por Imbera México

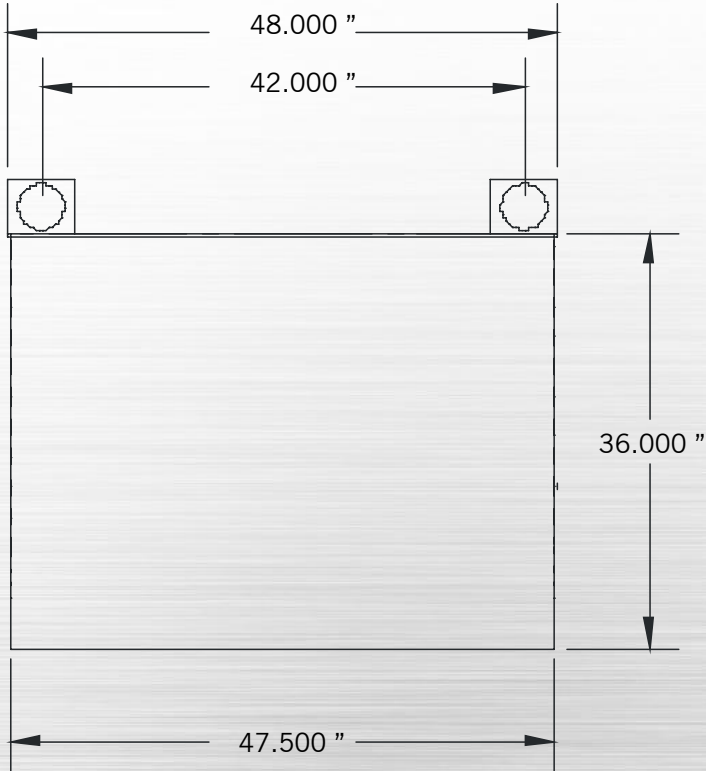
Carretera México Tequisquiapan km 3.2
Zona Industrial Valle de Oro
CP. 76803
San Juan del Río, Querétaro

WWW.IMBERACOOING.COM

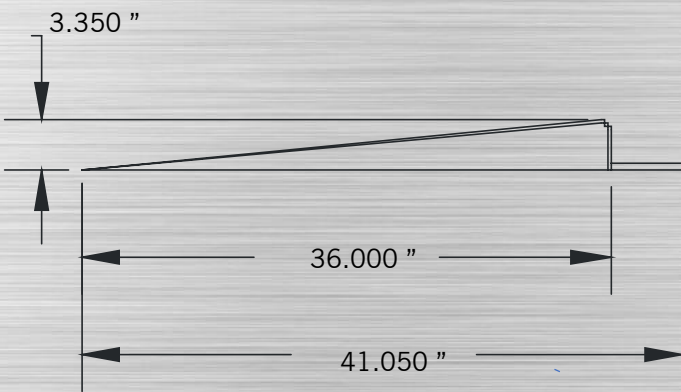
Capacities: 5000 and 10000 lb

Ramp floor scale for model:

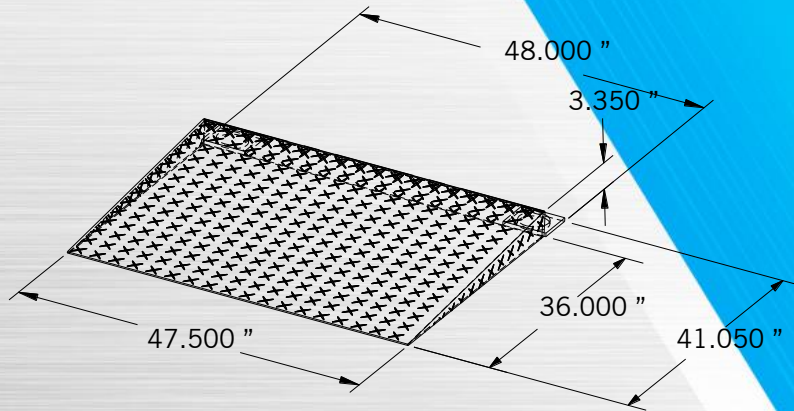
R-PLP 4x4



Top View



Side View



Isometric View



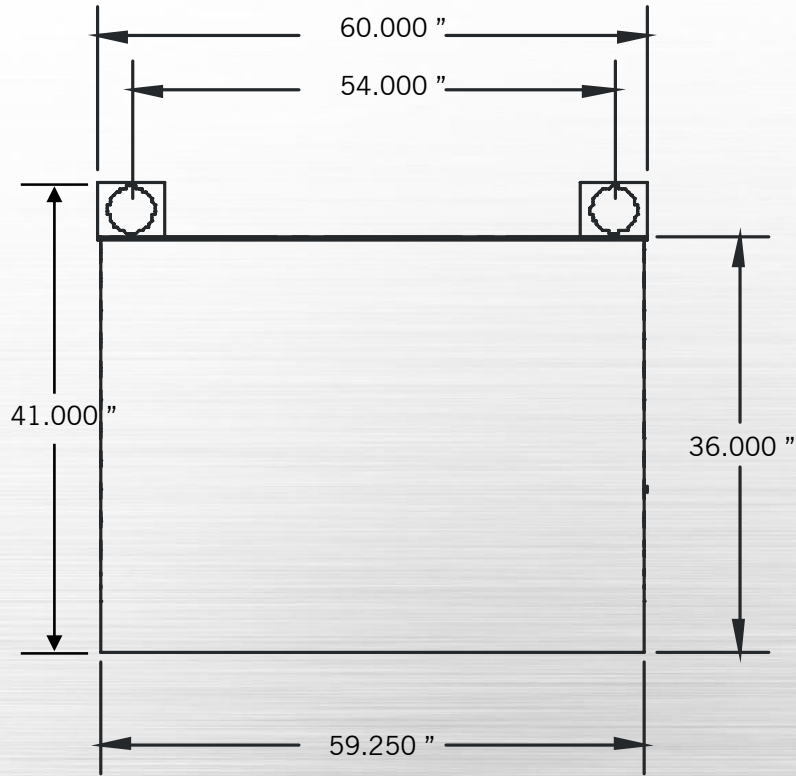
Distribuido por Imbera México

Carretera México Tequisquiapan km 3.2
Zona Industrial Valle de Oro
CP. 76803
San Juan del Río, Querétaro

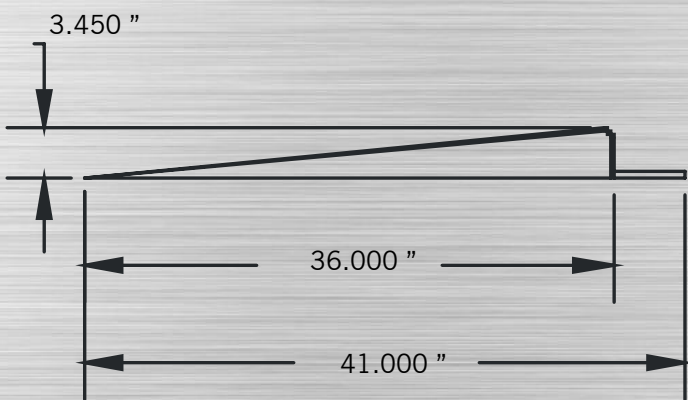
WWW.IMBERACOOING.COM

Ramp floor scale for model:

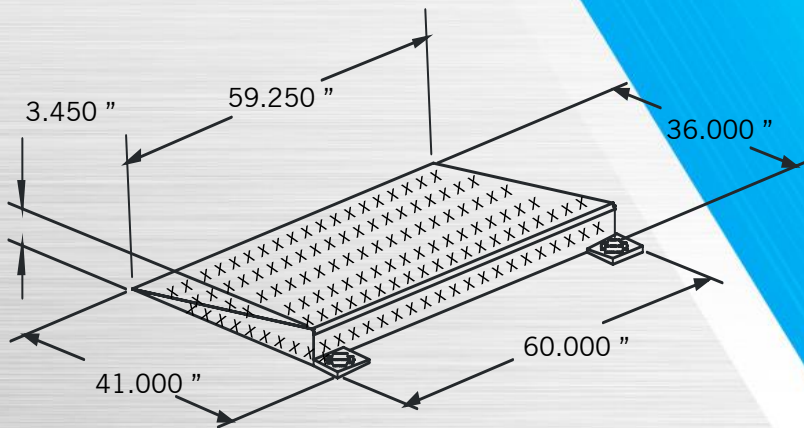
R-PLP 5x5



Top View



Side View



Isometric View



Distribuido por Imbera México

Carretera México Tequisquiapan km 3.2
Zona Industrial Valle de Oro
CP. 76803
San Juan del Río, Querétaro

WWW.IMBERACOOING.COM