



# PORTIONING SCALES

## PPC SERIES

Model:

PPC 5/10  
PPC 10/20



### Product features

- ✓ Available in 10 lb and 20 lb capacity
- ✓ Toggles between kg and lb with one button
- ✓ Robust stainless steel case and plate
- ✓ 100 hours duration rechargeable battery
- ✓ Progressive Tare Function. Pedal foot accessory for tare function included.
- ✓ The indicator can be mounted on a wall up to 10 feet away from the weighing element
- ✓ LCD screen with backlight function included

### Product highlights



Wall mountable indicator



Easy weight visibility



Unit conversion capability

### Certifications



### Warranty



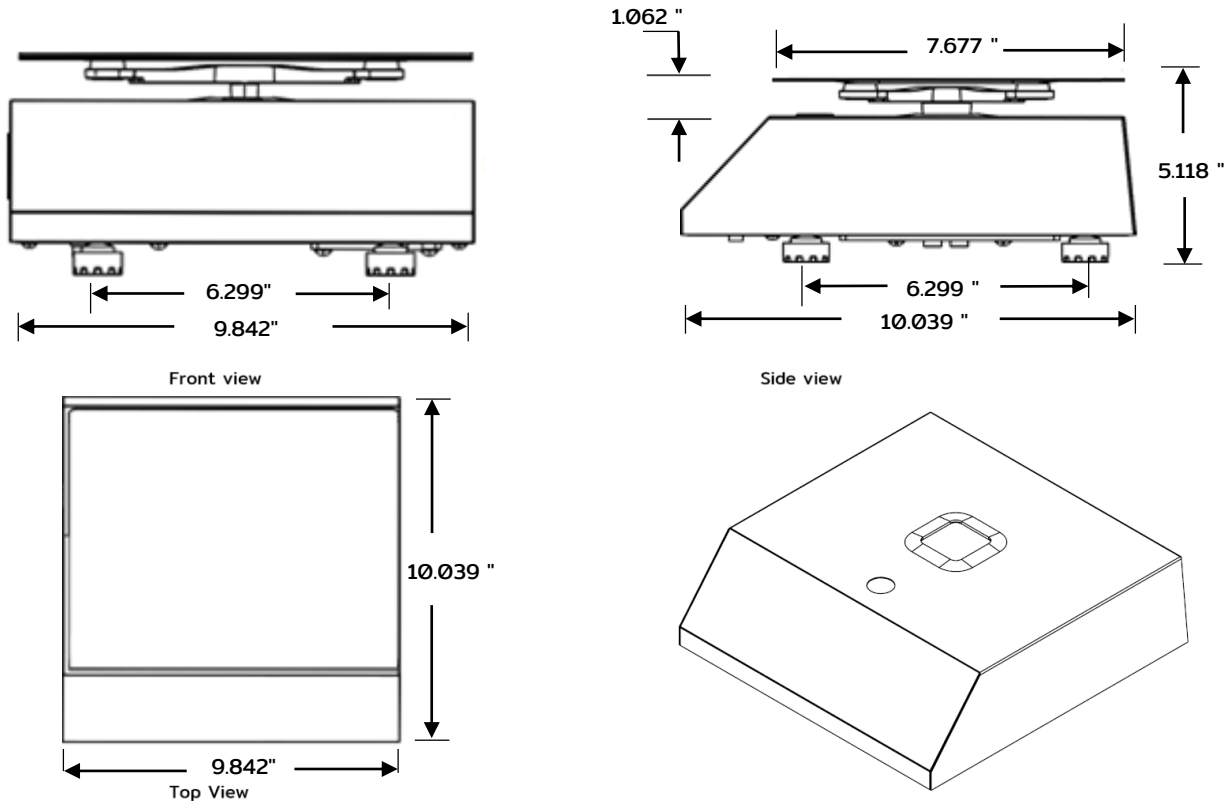
Includes parts and labor



# PORTIONING SCALES

## PPC SERIES

### Dimensions



### Technical specifications

#### Dimensions PPC 5/10, PPC 10/20:

<b>External dimensions</b>	W: 10.039" D:9.842" H: 5.118"
<b>Packging dimensions</b>	W: 14.173" D:13.976" H: 11.811"
<b>Net weight</b>	7.3854 lb
<b>Total weight (packing included)</b>	10.912 lb
<b>Plate dimensions</b>	W: 7.677" D: 9.842" H: 1.00"

#### Construction

<b>Cabinet material</b>	Stainless steel
<b>Plate material</b>	Stainless steel
<b>Plate holder</b>	High strength reinforced plastic
<b>Leveling feet</b>	4 adjustable foot

#### Logistic data

<b>Units per pallet</b>	45
<b>Weight per pallet</b>	530.762 lb
<b>Dim. Per pallet</b>	44.883" x 48.031" x 64.566"
<b>Storage temperature</b>	-4°F to 122°F (-20°C to 50°C)

#### Electrical data

<b>Power supply</b>	100-240 Vac 50/60 Hz / 9Vdc
<b>Amps</b>	0.2A / 0.5 A
<b>Cord length</b>	70.00"
<b>Plug type</b>	NEMA-5-15P
<b>Display</b>	LCD with backlight

#### Performance data

<b>Capacity</b>	10 lb / 20 lb
<b>Minimal division</b>	0.002 lb
	0.005 lb
<b>Max. Tare</b>	10 lb / 20 lb

#### Additional data

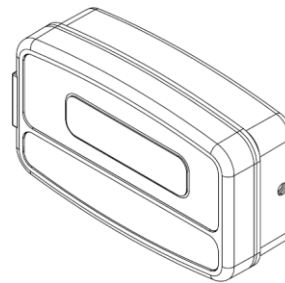
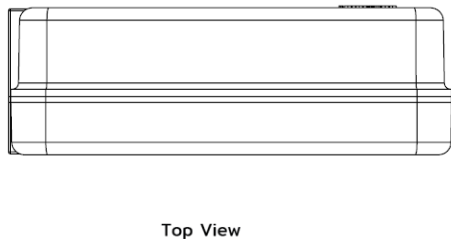
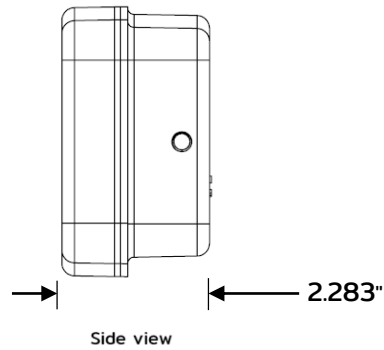
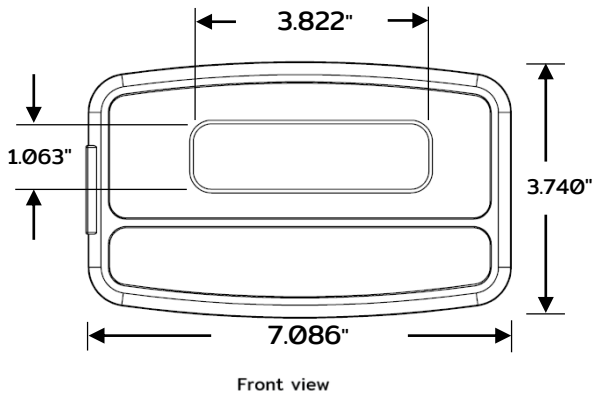
<b>Operation temperature</b>	14°F to 104°F (-10°C to 40°C)
<b>Communication</b>	Serial RS-232
<b>Software PC available</b>	Software scale
<b>Pedal Tare accessory</b>	Included



# PORTIONING SCALES

## PPC SERIES

### Dimensions



### Technical specifications

#### Dimensions PPC 5/10, PPC 10/20:

<b>External dimensions</b>	W: 10.039" D:9.842" H: 5.118"
<b>Packging dimensions</b>	W: 14.173" D:13.976" H: 11.811"
<b>Net weight</b>	7.3854 lb
<b>Total weight (packing included)</b>	10.912 lb
<b>Plate dimensions</b>	W: 7.677" D: 9.842" H: 1.00"

#### Construction

<b>Indicator module material</b>	ABS Plastic

#### Logistic data

<b>Units per pallet</b>	45
<b>Weight per pallet</b>	530.762 lb
<b>Dim. Per pallet</b>	44.883" x 48.031" x 64.566"
<b>Storage temperature</b>	-4°F to 122°F (-20°C to 50°C)

#### Electrical data

<b>Power supply</b>	100-240 Vac 50/60 Hz / 9Vdc
<b>Amps</b>	0.2A / 0.5 A
<b>Cord length</b>	70.00"
<b>Plug type</b>	NEMA-5-15P
<b>Display</b>	LCD with backlight

#### Performance data

<b>Capacity</b>	10 lb / 20 lb
<b>Minimal division</b>	0.002lb
	0.005lb
<b>Max. Tare</b>	10 lb / 20 lb

#### Additional data

<b>Operation temperature</b>	14°F to 104°F (-10°C to 40°C)
<b>Communication</b>	Serial RS-232
<b>Software PC available</b>	Software scale
<b>Pedal Tare accessory</b>	Included