



# LPC40L-HSC

## LPC SERIES



Model:  
LPC40L with printer

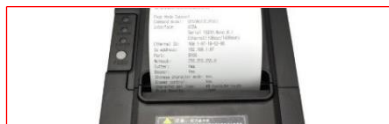
### Product features

- ✓ High sensitivity keypad
- ✓ Price calculation
- ✓ 100 product memories
- ✓ Print receipt for each transaction
- ✓ Double large LCD screen
- ✓ End of the day sales report capability
- ✓ Print on paper or label

### Product highlights



LCD with backlight



Printing speed up to 250mm/s



Handle thermal paper



**LPC40L-HSC**  
**LPC SERIES**



Model:  
LPC 40 L

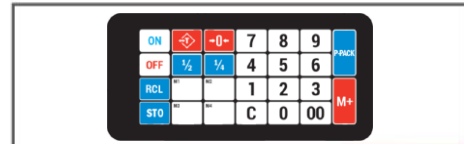
## Product features

- ✓ 40lb capacity
- ✓ Stainless steel case and plate construction
- ✓ Large LCD backlit display
- ✓ Cash register functions
- ✓ 100-hour rechargeable battery
- ✓ High sensitivity keypad touch technology
- ✓ RS232 serial port
- ✓ Adjustable leveling feet
- ✓ Plate of 12" x 9"

## Product highlights



Robust stainless steel construction



High sensitivity keypad



Solid plate

## Certifications



## Warranty

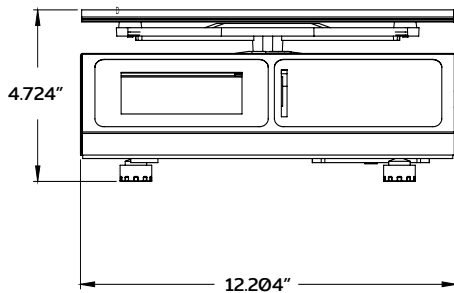




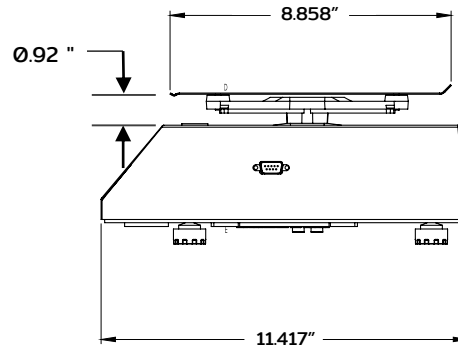
# LPC40L-HSC

## LPC SERIES

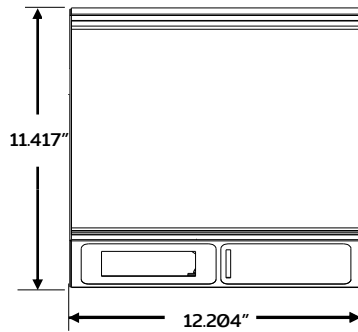
### Dimensions



Front view



Side view



Top View

### Technical specifications

#### Dimensions

<b>External dimensions</b>	W: 12.204" D: 11.417" H: 4.724"
<b>Packaging dimensions</b>	W: 15.748" D: 15.748" H: 5.905"
<b>Gross weight</b>	15.432 lb.
<b>Net weight</b>	6.15 lb.
<b>Plate dimensions</b>	W: 12.204" D: 8.858" H: 0.363"

#### Construction

<b>Cabinet material</b>	Food grade stainless steel
<b>Plate material</b>	Food grade stainless steel
<b>Plate holder material</b>	Aluminum
<b>Levelling feet</b>	4

#### Logistic data

<b>Units per pallet</b>	99
<b>Dim. per pallet</b>	48.03" X 48.03" X 72.83"
<b>Storage temperature</b>	-4°F to 122°F (-20°C to 50°C)

#### Electrical data

<b>Power supply</b>	110/220VAC - 6VDC 500mA
<b>Plug type</b>	NEMA-1-15P
<b>Cord of length</b>	47.24"
<b>Battery</b>	4VDC 2.5A/h
<b>Lighting</b>	LED

#### Performance data

<b>Capacity</b>	40 lb
<b>Minimal division</b>	0.01 lb
<b>Maximum tare</b>	40 lb
<b>Operation temperature</b>	14°F to 104°F (-10°C to 40°C)

#### Additional data

<b>Communication</b>	RS232
<b>Maximum price</b>	\$999.99
<b>Maximum total</b>	\$9999.99
<b>Memory</b>	100 PLU



**LPC40L-HSC**  
**LPC SERIES**



Printer

## Product features

- ✓ Thermal printer
- ✓ Capability to print on paper or label
- ✓ Direct alignment button
- ✓ Automatic paper detection
- ✓ Status indicator
- ✓ Cash register function
- ✓ Serial interface/USB
- ✓ Windows driver include

## Product highlights



Easy paper loading



Status LED indicator



Door security lock

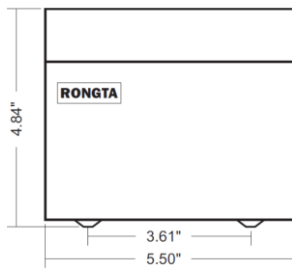
## Certifications



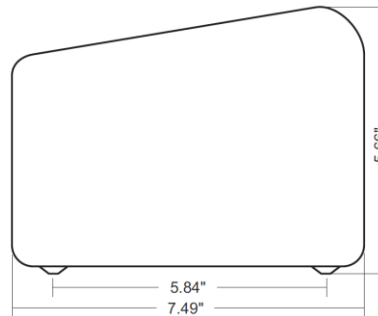
## Warranty



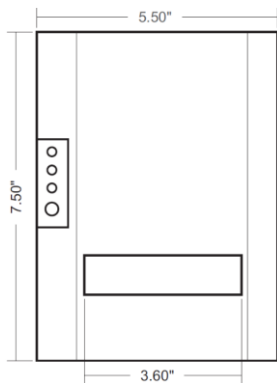
## Dimensions



Front view



Side view



Top View

## Technical specifications

### Dimensions

<b>External dimensions</b>	W: 3.600" D: 7.490" H: 4.840"
<b>Packaging dimensions</b>	W: 8.745" D: 8.580" H: 6.900"
<b>Gross weight</b>	4.26 lb.
<b>Net weight</b>	2.67 lb.

### Construction

<b>Cabinet material</b>	ABS Plastic

### Logistic data

<b>Storage temperature</b>	-10°C to 60°C
<b>Storage humidity</b>	10 to 90%

### Electrical data

<b>Power supply</b>	110/240VAC 1.5A - 24VDC 2.5A
<b>Plug type</b>	DIN 3 PORT
<b>Length of adapter cord</b>	47"
<b>Length of power cord</b>	44"

### Performance printer

<b>Printing method</b>	Direct thermal printing
<b>Print head width</b>	48 mm, 384 dots, 8 dots/mm
<b>Printing speed</b>	250 mm/s (max)
<b>Paper width</b>	80 mm

### Additional data

<b>Communication</b>	RS232
<b>Baud rate</b>	19200 bps
<b>Operation temperature</b>	0°C to 50°C
<b>Operation humidity</b>	10 to 80%