



Price computing scale

LPC SERIES



Model:
LPC 40 L-HS

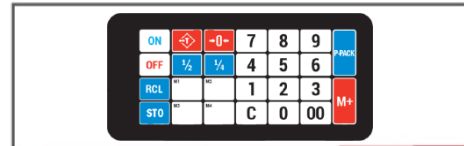
Product features

- 40 lb Capacity
- LCD Display with backlight
- 100 hour rechargeable battery
- Progressive Tare Function
- NTEP Legal for commercial trade
- Stainless Steel case and plate
- Cash register functions
- 4 direct access keys and up to 100 PLU's
- AC charger (Included)
- Accuracy Class III

Product highlights



Robust stainless steel construction



New easy-touch keyboard



High resistant stainless steel plate

Certifications



Warranty

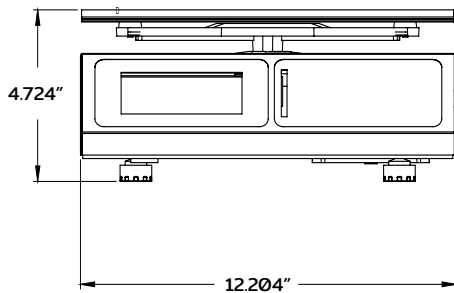




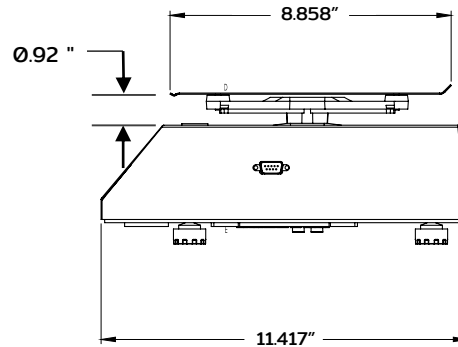
Price computing scale

LPC SERIES

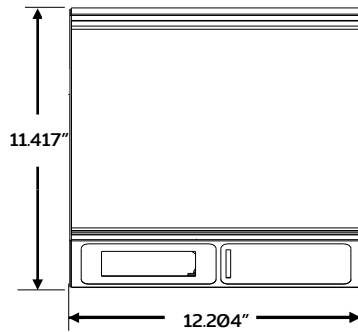
Dimensions



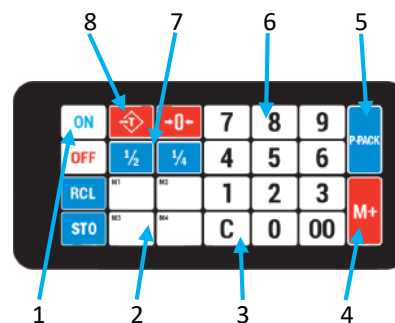
Front view



Side view



Top View



Keypad Overview

- 1- ON/OFF
- 2- MEMORY ACCESS
- 3- CANCEL
- 4- ADD PRODUCT
- 5- PRE-PACK MODE
- 6- NUMERICAL KEYPAD
- 7- SET PRICE FOR 1/2 OR 1/4
- 8- ZERO AND TARE BUTTONS

Technical specifications

Dimensions

External dimensions	W: 12.204" D: 11.417" H: 4.724"
Packaging dimensions	W: 15.748" D: 15.552" H: 5.905"
Gross weight	14.572 lb.
Shipping Weight	6.15 lb.
Plate dimensions	W: 12.204" D: 8.858" H: 0.363"

Construction

Scale Construction	Stainless steel
Platform Construction	Stainless steel
Plate holder material	Aluminum
Leveling feet	4

Logistic data

Units per pallet	99
Weight per pallet	1482.36 lb.
Dim. per pallet	48.03" X 48.03" X 72.83"

Electrical data

Power supply	110/220VAC - 6VDC 500mA
Battery	Rechargeable Battery 4VDC 2.5A/h
Battery Life	100 Hours (no backlight) Aprox 6 Hours (Suspend mode)
Charging time	12 Hours
Display	LCD with Backlight

Performance data

Capacity	40 lb
Minimal division	0.01 lb
Maximum tare	40 lb
Operation temperature	14°F to 104°F (-10°C to 40°C)
Storage temperature	-4°F to 122°F (-20°C to 50°C)

Additional data

Connectivity	RS232 Serial
Maximum price	\$999.99
Maximum total	\$9999.99
Memory	100 PLU
Accuracy Class	III
Warranty	1 year