



COUNTING SCALES

QC SERIES



Model:

QC 5 / 10 L
QC 20 / 40 L

Product features

- ✓ Available in 10 lb and 40 lb capacities
- ✓ Toggles between kg and lb with one button
- ✓ Robust stainless steel case and plate
- ✓ 200 hours duration rechargeable Battery
- ✓ PC communication

Product highlights



More weight capacity to count



50 Memories tare and weight



Easy and faster view

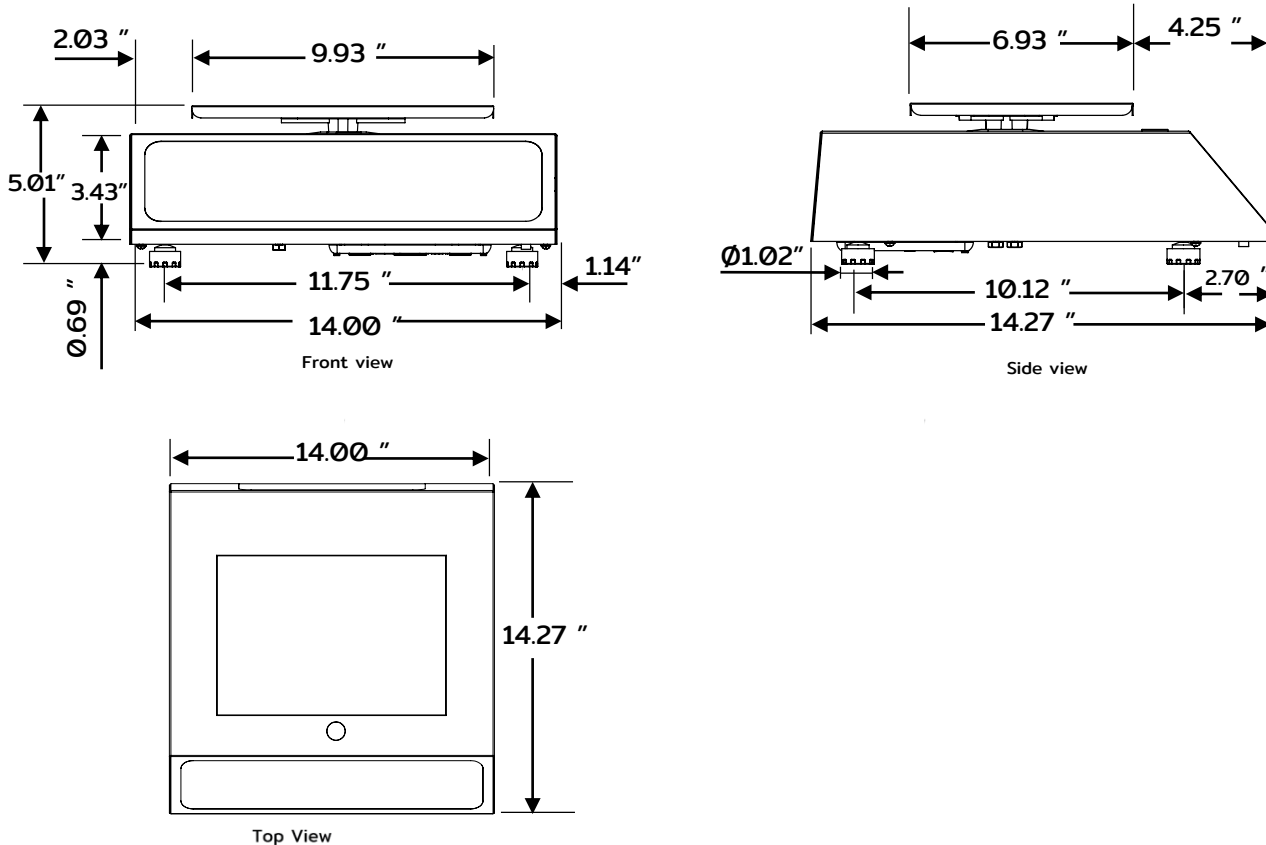
Certifications



Warranty



Dimensions



Technical specifications

Dimensions QC-5/10

External dimensions	W: 13.97" D:13.97" H: 5.01"
Packing dimensions	W: 17.32" D:17.32" H: 6.88"
Net weight	12.8 lb
Total weight (packing included)	18.7 lb
Plate dimensions	W: 6.93" D: 15.00" H: 1.00"

Construction

Cabinet material	Stainless steel
Plate material	Stainless steel
Plate holder	High strength reinforced aluminium
Leveling feet	4 adjustable foot

Logistic data

Units per pallet	44
Weight per pallet	866.8 lb
Dim. Per pallet	44.88" x 51.96" x 78.740"
Storage temperature	-4°F to 122°F (-20°C to 50°C)

Electrical data

Power supply	100-240 Vca / 47/63 Hz
Ampers	100-240 Vca / 0.2 A
Cord length	70.86"
Lighting	LED
Plug type	NEMA-5-15P
Display	LCD display with backlight

Performance data

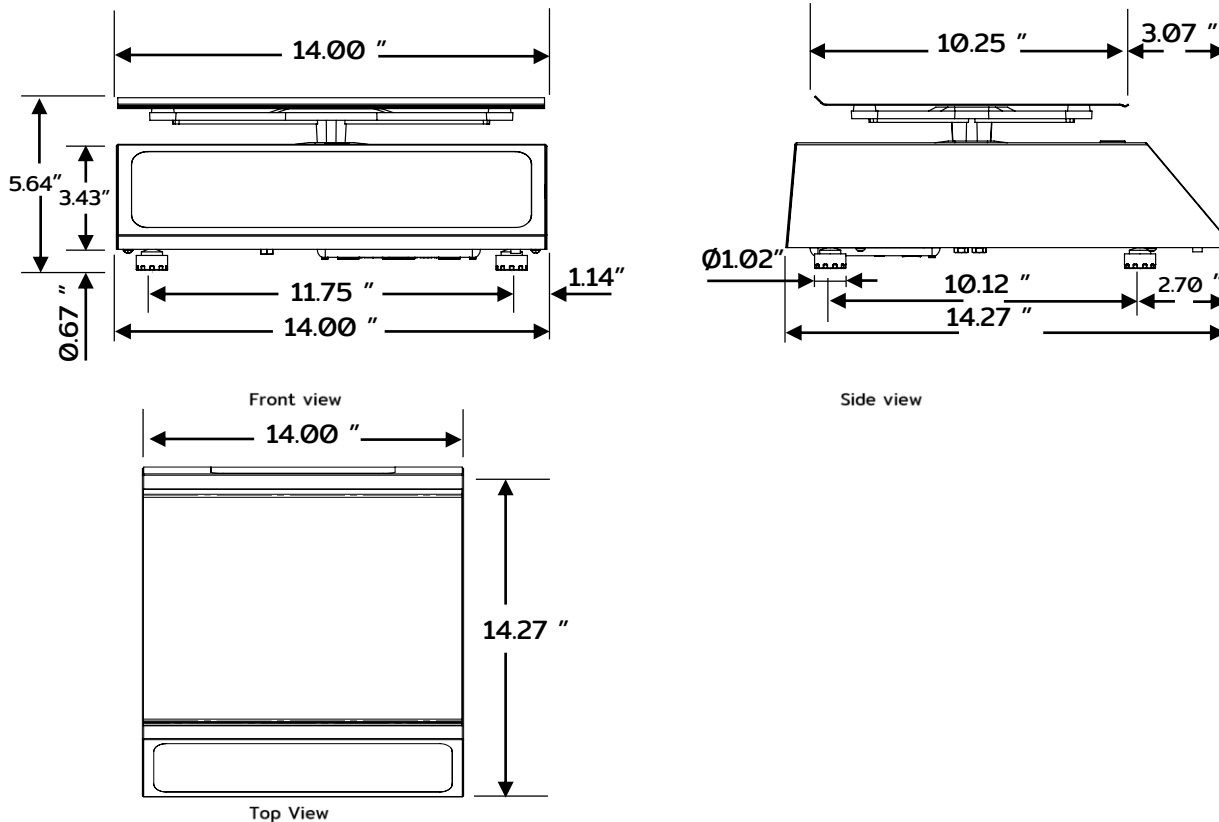
Capacity	10.00 lb
Minimal division	0.001 lb
Max. Tare	5.00 lb

Additional data

Communication	Serial RS-232
Software PC available	Software Scale
Operation temperature	14°F to 104°F (-10°C to 40°C)



Dimensions



Technical specifications

Dimensions QC-20/40

External dimensions	W: 13.97" D:13.97" H: 5.64"
Packging dimensions	W: 17.32" D:17.32" H: 6.88"
Net weight	25.1 lb
Total weight (packing included)	30.6 lb
Plate dimensions	W: 10.25" D: 14.00" H: 1.00"

Construction

Cabinet material	Stainless steel
Plate material	Stainless steel
Plate holder	High strength reinforced aluminium
Leveling feet	4 adjustable foot

Logistic data

Units per pallet	44
Weight per pallet	866.8 lb
Dim. Per pallet	44.88" x 51.96" x 78.740"
Storage temperature	-4°F to 122°F (-20°C to 50°C)

Electrical data

Power supply	100-240 Vca / 47/63 Hz
Ampers	100-240 Vca / 0.2 A
Cord length	70.86"
Lighting	LED
Plug type	NEMA-5-15P
Display	LCD display with backlight

Performance data

Capacity	40.00 lb
Minimal division	0.005 lb
Max. Tare	20.00 lb

Additional data

Communication	Serial RS-232
Software PC available	Software Scale
Operation temperature	14°F to 104°F (-10°C to 40°C)