



# PRICE COMPUTING SCALES

## LPC SERIES



Model:  
LPC 40 L

### Product features

- ✓ Available in 40 lb capacity
- ✓ Stainless Steel case and plate
- ✓ Large LCD display with backlight
- ✓ Cash register functions
- ✓ 100 hours duration rechargeable battery
- ✓ 8 PLU shortcuts

### Product highlights



Robust stainless Steel Construction



Customizable 8 PLU shortcuts



Large solid plate

### Certifications



### Warranty

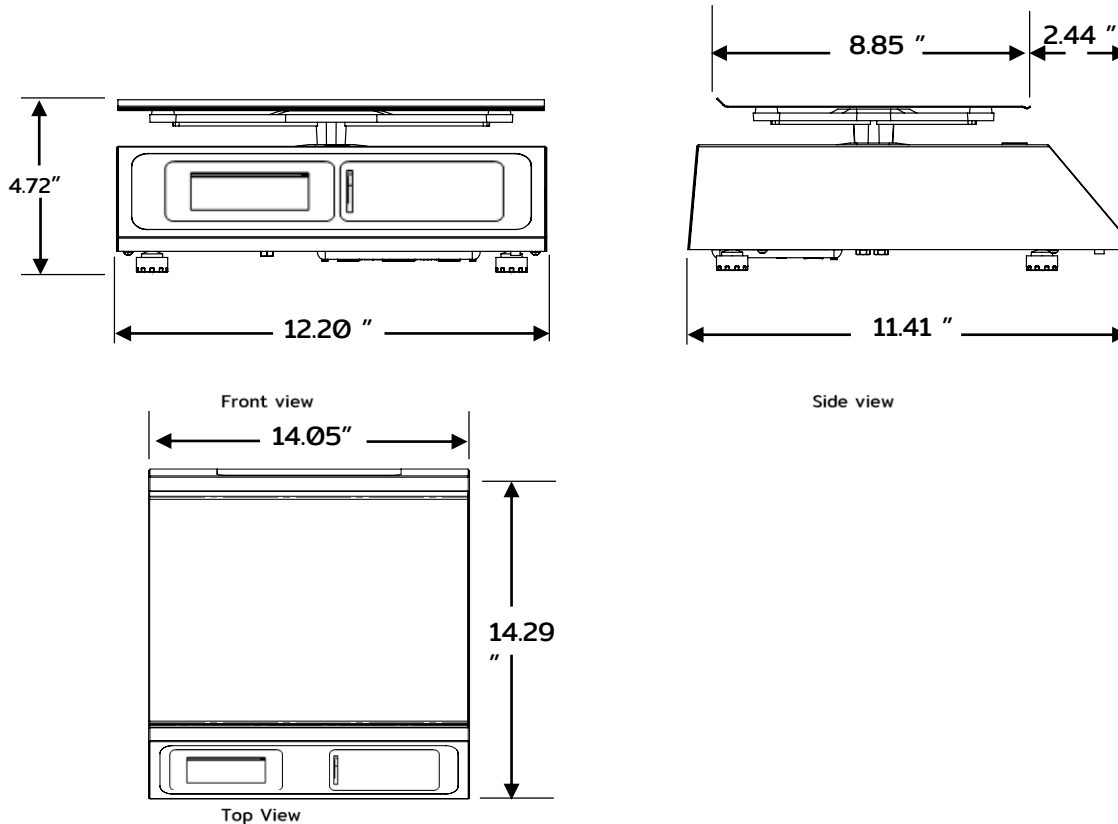




# PRICE COMPUTING SCALES

## LPC SERIES

### Dimensions



### Technical specifications

#### Dimensions LPC-40 L

<b>External dimensions</b>	W: 11.41 " D:12.20 " H: 4.72 "
<b>Packing dimensions</b>	W: 15.55 " D:15.74 " H: 1.85"
<b>Net weight</b>	10.20 lb
<b>Total weight (packing included)</b>	13.27 lb
<b>Plate dimensions</b>	W: 8.85 " D: 14.05" H: 1.00 "

#### Construction

<b>Cabinet material</b>	Stainless steel
<b>Plate material</b>	Stainless steel
<b>Plate holder</b>	High strength reinforced aluminium
<b>Leveling feet</b>	4 adjustable foot

#### Logistic data

<b>Units per pallet</b>	40
<b>Weight per pallet</b>	833.34 lb
<b>Dim. Per pallet</b>	44.88" x 51.96" x 78.740"
<b>Storage temperature</b>	-4°F to 122°F (-20°C to 50°C)

#### Electrical data

<b>Power supply</b>	100-240 Vca / 47/63 Hz
<b>Ampers</b>	100-240 Vca / 0.2 A
<b>Cord length</b>	47.24 "
<b>Lighting</b>	LED
<b>Plug type</b>	NEMA-5-15P
<b>Display</b>	LCD display with backlight

#### Performance data

<b>Capacity</b>	40.00 lb
<b>Minimal division</b>	0.01 lb
<b>Max. Tare</b>	40.00 lb

#### Additional data

<b>Operation temperature</b>	14°F to 104°F (-10°C to 40°C)
<b>Communication</b>	Serial RS-232
<b>Software PC available</b>	Software scale