



PORTIONING SCALES

L-EQ SERIES



Model:

LEQ-5/10

LEQ-10/20

Product features

- ✓ Available in 10 lb and 10 lb capacity
- ✓ Toggles between kg, lb and oz with one button
- ✓ Robust stainless steel case and plate
- ✓ Programmable portioning audible alarm
- ✓ 100 hours duration rechargeable battery
- ✓ Pedal foot accessory, for tare operation

Product highlights



Pedal foot for handsless operation



Easy weight visibility



Unit conversion

Certifications



Warranty

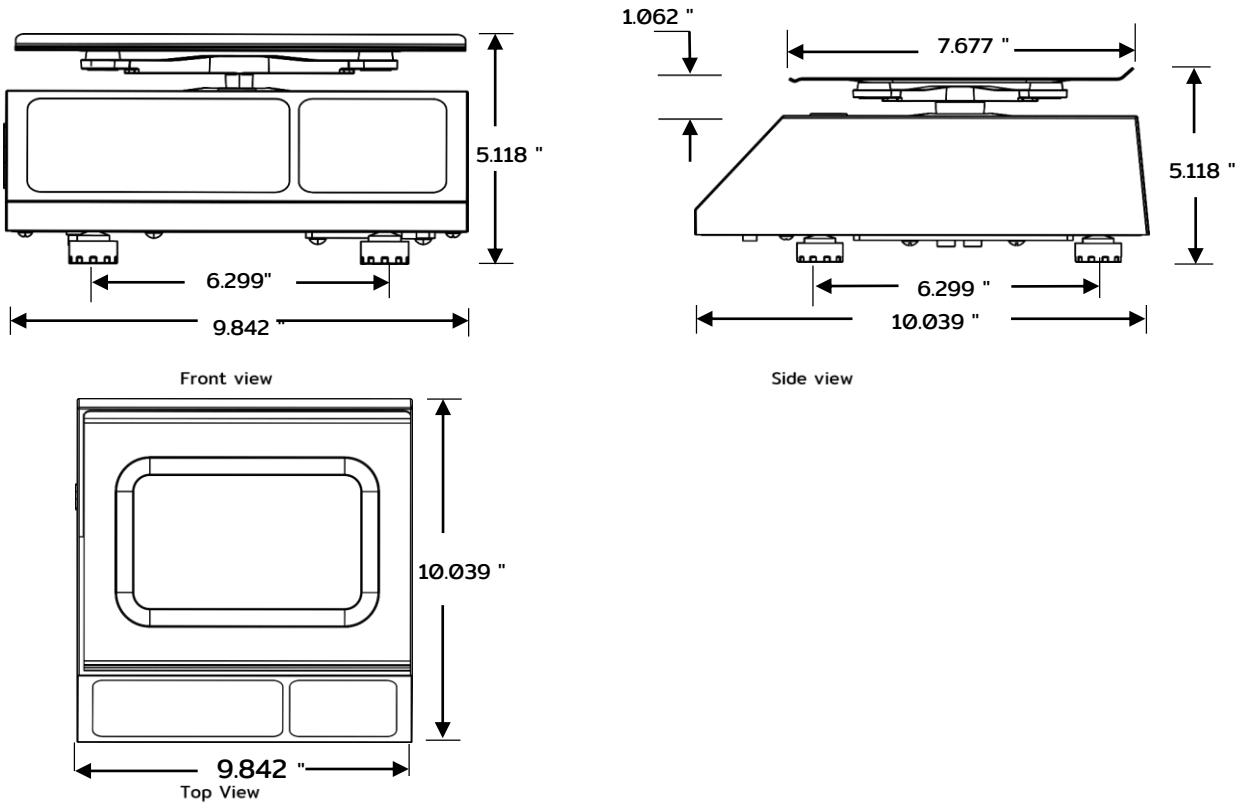




PORTIONING SCALES

L-EQ SERIES

Dimensions



Technical specifications

Dimensions LEQ 5/10 , LEQ 10/20

External dimensions	W: 10.03 " D:9.842 " H: 5.11 "
Packing dimensions	W: 12.59 " D:12.20 " H: 7.48 "
Net weight	7.8 lb
Total weight (packing included)	10.7 lb
Plate dimensions	W: 7.67 " D: 9.84 " H: 1.00 "

Construction

Cabinet material	Stainless steel
Plate material	Stainless steel
Plate holder	High strength reinforced aluminium
Leveling feet	4 adjustable foot

Logistic data

Units per pallet	90
Weight per pallet	932.55 lb
Dim. Per pallet	44.88" x 51.96" x 78.740"
Storage temperature	-4°F to 122°F (-20°C to 50°C)

Electrical data

Power supply	100-240 Vca / 47/63 Hz
Ampers	100-240 Vca / 0.2 A
Cord length	47.24 "
Lighting	LED
Plug type	NEMA-5-15P
Display	LCD display with backlight

Performance data

Capacity	10 lb / 20 lb
Minimal division	1g / 0.002 lb / 0.05 oz
	2g / 0.005 lb / 0.1 oz
Max. Tare	10 lb / 20 lb

Additional data

Operation temperature	14°F to 104°F (-10°C to 40°C)
Communication	Serial RS-232
Software PC available	Software scale
Pedal Tare accessory	Not included